

SPECIFICATIONS

PRODUCT SPECIFICATIONS



**COMPACT DIGITAL
CCD AREA SCAN**

1.45 MEGAPIXELS AT 19 FPS

2 MEGAPIXELS AT 14 FPS

MONOCHROME AND COLOR

IEEE1394 OUTPUT

BASLER A630 AND A640 SERIES

Features/Benefits

- High image quality improves your image processing results
- Ultra compact size reduces the space needed in your installation
- 100% factory testing ensures consistent product quality
- When combined with the **BCAM 1394 Driver** and a standard **IEEE 1394 adapter**, these cameras offer a **plug and play solution for industrial quality digital video**
- Electronic exposure time control provides maximum flexibility

Description

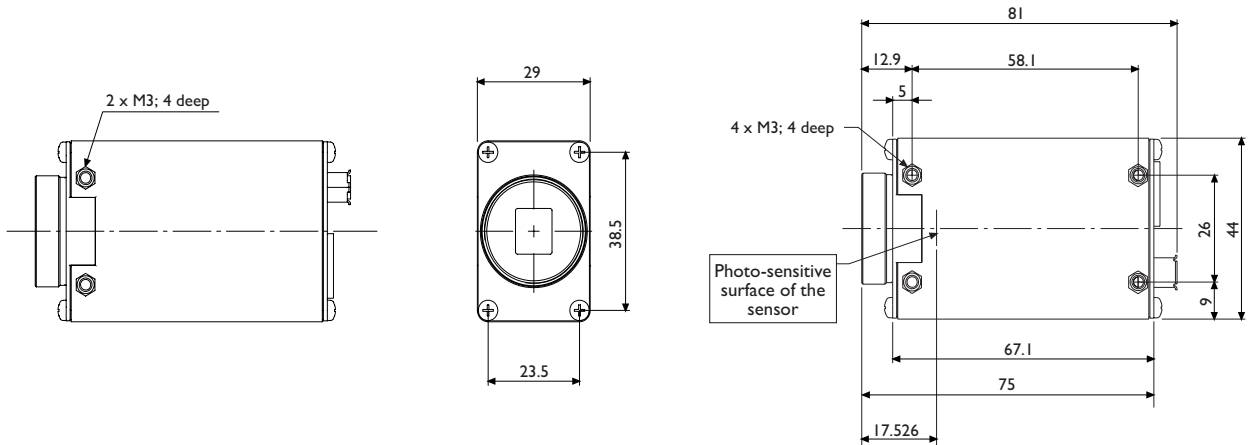
The A630 and A640 Series 1.45 or 2 megapixel compact digital cameras are ideal for a variety of industrial applications. The cameras can be triggered via an external sync signal or run in an internally controlled "free-run" mode. A630 and A640 cameras operate with a single voltage power supply and have the advantages of the standard cabling and adapter requirements of IEEE1394. A combination of features such as AOI scanning and test images ensure that these versatile cameras provide an exceptional price/performance ratio.

Applications

- Semiconductor and component inspection
- Manufacturing quality control
- Food and beverage inspection
- Microscopy and medical imaging
- Many other vision applications

Dimensions (in mm)

A630f and A640f



Specifications	A631f	A631fc	A641f	A641fc
Sensor Size (H x V Pixels)	1392 x 1040	1388 x 1038	1624 x 1236	1624 x 1234
Sensor Type	Progressive Scan CCD			
Pixel Size (in μm)	4.65 x 4.65	4.65 x 4.65	4.4 x 4.4	4.4 x 4.4
Max. Frame Rate at Full Resolution	18.7 fps	18.7 fps	14 fps	14 fps
Video Output Format	Mono8, Mono16 (12bpp)	Mono8, Mono16 (12bpp), Raw8, Raw16 (12bpp), YUV422	Mono8, Mono16 (12bpp)	Mono8, Mono16 (12bpp), Raw8, Raw16 (12bpp), YUV422
Color / Mono	Mono	Color	Mono	Color
Video Output Type	IEEE 1394			
Synchronization	Via external trigger or the 1394 bus			
Exposure Control	Programmable via the 1394 bus			
Power Requirements	+8 to +36 VDC (12 VDC nominal) max. ~ 3.2 W @ 12 VDC			
Lens Mount	C-mount			
IR-Cut Filter	Optional	Standard	Optional	Standard
Housing Size (L x W x H)	75 mm x 44 mm x 29 mm			
Weight	Max. 110 g (typical)			
Conformity	CE, FCC			

Specifications are subject to change without prior notice.

BASLER
VISION TECHNOLOGIES

Germany, Headquarters
Phone +49 4102 463 500
Fax +49 4102 463 599
vc.sales.europe@baslerweb.com

USA
Phone +1 610 280 0171
Fax +1 610 280 7608
vc.sales.usa@baslerweb.com

Singapore
Phone +65 6425 0472
Fax +65 6425 0473
vc.sales.asia@baslerweb.com

www.basler-vc.com