

Video Security



VKC-1339/W3

1/3" Colour Camera with F1.4/4-9mm Lens,
12VDC, 330TVL

Art-No. 96070



Features

Weatherproof Camera with Swivel Head Bracket
1/3" Super HAD CCD
Resolution of 330 Horizontal Lines
Sensitivity of 0.38Lux (at F1.2)
Built-in Lens F1.4/4-9mm with DC Iris Control
Digital Signal Processing (DSP)

Automatic Shutter Control (AES)
Automatic Gain Control (AGC)
Backlight Compensation (BLC)
Automatic White Balance (ATW)
Supply Voltage: 12VDC
Hidden Cable Routing / Protection Rating: IP66/67

Specifications

System	CCIR/PAL
Imager	1/3" Sony Super HAD Interline Transfer CCD
Active picture elements	Approx. 290,000, (H) 500 x (V) 582 Pixels
Synchronization	Internal
Signal-to-noise ratio	48dB (AGC OFF)
Horizontal resolution	330 TV lines
Sensitivity at 50% video signal	0.38Lux at F1.2
Automatic shutter control (AES)	1/50 ~ 1/100,000Sec.
Automatic gain control (AGC)	Included
Aperture Correction (APC)	Horizontal and vertical
White balance (AWB)	Automatic control
Backlight compensation (BLC)	Automatic control
IR cut filter	Low-Pass Filter
Internal adjustments	Zoom and Focus on Varifocal lens
Video output	1Vp-p, CVBS, 75ohms
Lens	F1.4~F300/4 ~ 9mm with galvanometer driven iris
Horizontal angle of view	Approx. 70° ~ 31,5°

VKC-1339/W3

(Specifications continued)

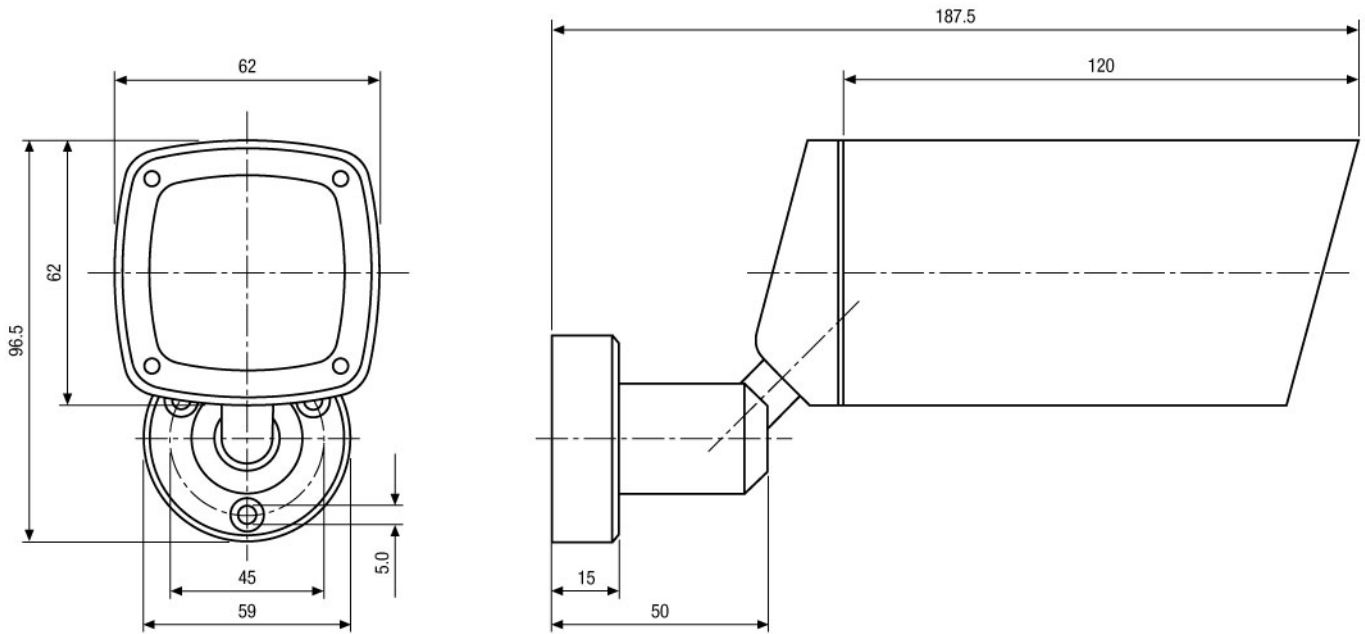
Cable connection	Wiring for video and voltage supply made, accessible from outside (1.5m long, Video: BNC jack; 12/24V input: for DC plug 2.1/5.5mm)
Hidden Cable Management Support	Fully Hidden Cable Routing
Housing	Aluminium with clear polycarbonate window
Window screen	PC (Lexan)
Colour	Pantone 7541
Protection rating	IP66/67
Kind of mounting	Integrated wall mount with ball joint
Mounting	Wall or Ceiling*)
Supply voltage	12VDC (9 ~ 15VDC), 12VDC +/-0,5V recommended
Power consumption	1.8watts max.
Temperature range	-10°C ~ +50°C
Dimensions (HxWxD)	See drawing
Weight	Approx. 680g

Accessories

77779 / VT-PS12DC-UK	Power Supply Unit w. UK Mains plug-in, 100-240VAC/12VDC-1.0A, Regul., open Ends
77772 / VT-PS12DCDT	PSU 12VDC/0,5A, Regulated, Desktop Version, 1.8m Cable each w. open ends
70447 / VT-PS12DC-5	Plug-in Power Supply Unit 100-240VAC 12VDC (1.0Amp), Regulated, with DC Plug

Product Information

*) For ceiling installation please contact Videor Technical in advance. They will modify the camera before shipping.



Maße/Dimensions: mm

VIDEOR TECHNICAL E. Hartig GmbH
 Carl-Zeiss-Straße 8 · 63322 Rödermark · Germany
 Telefon +49 (0) 60 74/8 88-0 · Telefax +49 (0) 60 74/8 88-100
 info@videortechnical.com · www.videortechnical.com

