



Nederland:

Walraven B.V.
Postbus 15
NL-3640 AA Mijdrecht
Tel.: +31 (0)297 23 30 00
Fax: +31 (0)297 23 30 33
info@walraven.com

France:

Walraven SARL
2, Allée du Moulin Berger
F-69130 Ecully
Tél.: +33 (0)4 78 66 15 10
Fax: +33 (0)4 78 64 55 89
info@walraven.fr

Polska:

Walraven Sp. z.o.o.
ul. Zakopiańska 85
PL-30 418 Kraków
Tel.: +48 (0)12 268 42 61
Fax: +48 (0)12 268 42 60
info@walraven.pl

België/Belgique:

Walraven BVBA
Ambachtenlaan 30
B-3300 Tienen
Tel.: +32 (0)16 82 20 40
Fax: +32 (0)16 82 01 86
info@walraven.be

United Kingdom:

IHL Walraven Ltd.
Thorpe Close, Banbury
Oxon, UK-OX16 4UU
Tel.: +44 (0)1295 75 34 00
Fax: +44 (0)1295 75 34 28
sales@walraven.co.uk

Slovakia:

Walraven Slovakia s.r.o.
Elektrarenska 1
SK-813 03 Bratislava
Tel.: +421 (0)2 44 63 03 75
Fax: +421 (0)2 44 63 03 76
info@walraven.sk

Deutschland:

BIS Walraven GmbH
Postfach 125128
D-95425 Bayreuth
Tel.: +49 (0)921 7560 0
Fax: +49 (0)921 7560 222
info@bis-walraven.de

Česká Republika:

Walraven IS s.r.o.
Bezděčín 88
CZ-29301 Mladá Boleslav
Tel.: +420 326 72 40 09
Fax: +420 326 73 73 91
info@walraven-is.cz

Other countries:

Walraven International B.V.
PO Box 15
NL-3640 AA Mijdrecht
Tel.: +31 (0)297 23 30 00
Fax: +31 (0)297 28 64 09
export@walraven.com

Visit our website: www.walraven.com

WALRAVEN

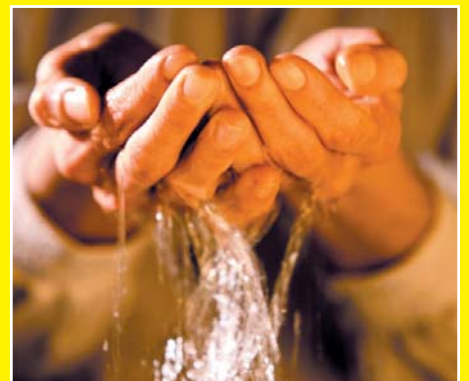


BETTER INSTALLATION SYSTEMS

WALRAVEN



- Completely pre-assembled
- Non-contact flushing systems
- Plug and play electronics
- Optimum hygiene
- Intelligent flushing programs
- High efficiency



BETTER INSTALLATION SYSTEMS



SANITARY TECHNOLOGY
FOR VARIOUS APPLICATIONS

SanTec[®]
Sanitary technologies

BISMAT[®]
PRE-WALL SYSTEMS

BISMAT®

PRE - WALL SYSTEMS

WM Bismat® pre-wall systems offer many specific advantages. The general advantages of the pre-wall system compared to built-in system are significant. Due to the high level of **adjustability, clean and fast** installation, the pre-wall system means **greater value** for every installation company.



WM BISMAT® PRE-WALL SYSTEMS:



EASY TO CARRY

Due to lifting holes integrated in the box.



CLEAN

Convenient packing including clear instructions for assembly and fixing material for wall and floor.

Features and benefits



<p>Completely pre-assembled</p>	<p>Epoxy coated frame: excellent corrosion resistance</p>	<p>Conforms with applicable standards</p>
<p>Adjustable height fixings</p>	<p>Adjustable depth fixings</p>	<p>Wall fixings also suitable for corner installation</p>
<p>Non-contact flushing systems</p>	<p>Barrier-free access solutions</p>	<p>Noise insulated</p>



FAST
The pre-wall frames are completely pre-assembled allowing a quick and easy installation.



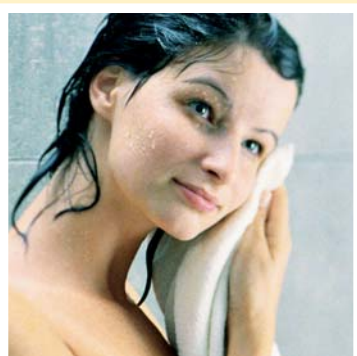
PRACTICAL
The mounting template allows perfect cutting of holes in the frame covering board.



**NON-CONTACT SANITARY
ELECTRONICS FOR IMPROVED
COMFORT AND HYGIENE**

SANTEC SANITARY TECHNOLOGIES:

Hygiene and comfort



Efficiency



Vandalism proof





Riviera Hotel, Cascais



Sony, Lisbon



Andromeda Tower, Vienna



Mayatower, Istanbul

SanTec®

Sanitary technologies



SANITARY ELECTRONICS PROVEN WORLDWIDE

Airports, railway stations and motorway services

Aeroporto do funchal	Madeira
Autobahnraststätte	
Rosenberger	Ansfelden
Busstation Tres Cruzes	Montevideo
ÖBB-Bahnhof	Linz

Hotels and restaurants

Müllner Bräu	Salzburg
Luxusrestaurant	
Jardineira	Sao Paulo
Riviera Hotel	Cascais
Restaurant „O Faroleiro“	Cascais
McDonald's	Cascais
Restaurant „Edificio visconde da Luz“	Cascais

Hospitals

Krankenhaus	Gjör
Clinica do Poco Novo	Lisbon
Bezirkskrankenhaus	Amstetten
Zahnklinik	Estoril

Office buildings

Maya Tower	Istanbul
Tech Gate	Vienna
Regierungsviertel	
d. NÖ Landesregierung	St. Pölten
Andromeda Tower	Vienna
Millenium Tower	Vienna
Suchard	Budapest
Tungstram	Budapest
Shanghai Municipal Building	Shanghai
Wa Da Hi-Tech Building	Shanghai
ARD Sendezentrum	Berlin
Bezirksgericht	Amstetten
Sony	Lissabon

Industrial buildings

Puchwerke	Graz
Pharmziebetrieb	
Rodio Farma	Sao Paulo
Parsan Autoindustrie	Istanbul
Hüge Kunststoffindustrie	Istanbul
Fordwerke	Cologne
Gewerbepark FMZ	Innsbruck
Kika Nord	Vienna

Educational buildings

College Technique au moniers du travail	Charleroi
Universität	Klagenfurt
Akademisches Gymnasium	
Spittelwiese	Linz
Berufsförderungsinstitut, Davidgasse	Vienna

Public buildings

Kunsthauus	Graz
Messe Wien	Vienna
Hollywood Megaplex	Leonding/Linz
UCI Multiplex	Vösendorf
ESG-Center	Linz
Riviera Shopping Center	Cascais
Messehalle	Wels
Windischkaserne	Klagenfurt
Kongreßhaus	Innsbruck
Stadtsaal	Landeck

Sporting arenas

Football stadium	Salzburg
------------------	----------

Freedom of design



Water economy



Advanced technology



THE INVISIBLE URINAL CONTROL FOR OPTIMUM PROTECTION AGAINST VANDALISM



- Vandalism proof
- Dehydration protection of siphon
- Flushing stops immediately if urinal is blocked
- Reliability due to four sensors
- Well suited to limited spaces
- Water saving: flushes only after use
- Ready-to-use and easily assembled
- Maximum freedom of design: no minimum distances required

FUNCTION :

DIMENSIONS IN mm :

Adjustable main flush



From 1 to 10 sec.

Dehydration protection



Hygienic flushing if siphon becomes dry.

Flushing stop

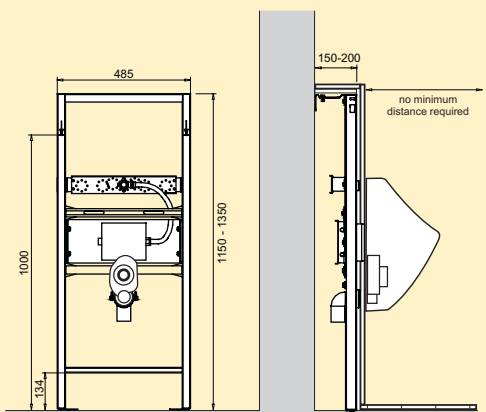


Immediate flushing stop if urinal is blocked.

Automatic release (as function test)



By pouring 1 litre water into urinal a flushing takes place.





SanTec® INSIDE

The non-contact urinal control SanTec® Inside is invisible to the user and consequently offers maximum protection against vandalism and freedom of design.

SanTec® Inside is the ideal solution for small and narrow toilet rooms, as the flushing solely depends on direct use. Due to the integrated sensor, there is no minimum distance required to the opposite or adjacent wall.

Should the siphon dry up (if it is unused for a long period of time) an automatic flush is activated and unpleasant smells are prevented. Because flushing is exclusively activated after direct use, SanTec® Inside is a cost and water economic solution.



The wall recess mounted box which is pre-assembled to the mounting element Bismat® UR Inside as well as the 'plug & play' electronics guarantee a quick and easy installation. Bismat® UR Inside is the ideal solution for situations where **vandalism protection, water economics and hygiene** are important.

SanTec® Inside – urinal control	
Control set:	035 1 348
Assembly: sensor siphon, electronics and solenoid valve	
Pre-wall system:	
WM Bismat® UR Inside	035 1 297
Pre-assembled for SanTec® Inside	
Accessories:	
Siphon adapter for Laufen Taro Nova urinal	035 1 349



TECHNICAL DATA:

SanTec® Inside – urinal control:

Operating voltage: 230 V / 50 Hz
 Power input: ca. 3 VA (stand-by) ca. 8 VA (flushing)
 Solenoid valve: 24 V / 50Hz
 Main flushing: 1 - 10 sec. (adjustable)
 Flow pressure: 0.5 - 6 bar
 Flow rate: 0.3 - 0.7 l/sec. (can be reduced according to DIN 3265)
 Water connection: 1/2"
 Urinals: only for urinals with a level urinal outlet on the rear.
 For Laufen Taro Nova only with siphon adapter (035 1 349).


Bismat® UR Inside pre-wall system:

Pre-assembled for SanTec® Inside
 Material: steel, epoxy coated
 Includes:

- wall recess mounted box (135 x 165 x 77 mm) with shut-off valve and dirt filter
- waste pipe DN50 with rubber reducing piece 40 mm
- noise insulated waste pipe
- water connection: 1/2"
- 2 threaded rods M10 for fixing of the urinal
- fixing material for wall and floor



THE RELIABLE URINAL CONTROL FOR MANY APPLICATIONS

-  Proven infra-red urinal control
-  Quick and easy installation
-  Compact design
-  High efficiency



FUNCTION:

DIMENSIONS in mm:

Minimum stay time



Intelligent pre-flushing



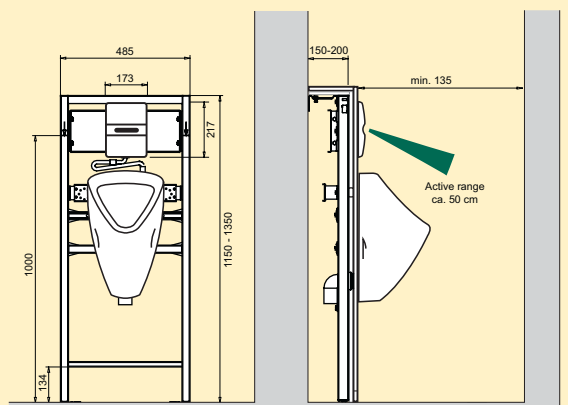
Adjustable main flushing



Hygienic flushing



MULTI 230V	4 sec.	1 sec. if last flushing took place more than 5 min. ago.	from 1 to 10 sec.	When not used for 24 hours.
MULTI 9V	10 sec.	-	from 1 to 10 sec.	When not used for 24 hours.





SanTec® MULTI

SanTec® Multi is a non-contact, infra-red urinal control. Use dependent pre-flush and settable main flush as well as a hygiene flush after 24 hours of non-use. This guarantees optimum comfort and hygiene with a minimum water consumption. Installation is quick and easy due to the compact and modular structure.

SanTec® Multi urinal control consists of:

- cover plate with integrated transformer and infra-red electronics (Multi 230V)
- cover plate with battery holder and infra-red electronics (Multi 9V)
- mounting frame
- solenoid valve



Cover plate:	Matt chromium	White
230V (mains supply)	035 1 331	035 1 335
9V (battery supply)	035 1 341	035 1 345

Pre-wall system:	
WM Bismat® UR Multi	035 1 197
Pre-assembled for SanTec® Multi	



SanTec® Multi in combination with the completely pre-assembled Bismat® UR Multi pre-wall system is well suited for use in area's where **hygiene** and **user comfort** are required.



TECHNICAL DATA:

SanTec® Multi urinal control 230V

Operating voltage: 230 V / 50 Hz
 Power consumption: ca. 2 VA
 Solenoid valve: 24 V / 50Hz
 Active range: 50 cm (pre-adjusted),
 30 – 70 cm (adjustable)
 Pre-flushing: 1 sec. (dependent on use)
 Main flushing: 1 – 10 sec.
 Hygiene flushing: when urinal not used
 for 24 hours
 Flow pressure: 0.5 – 6 bar
 Flow rate: 0.3 – 0.7 l/sec. (can be
 reduced according to DIN 3265)
 Water connection: 1/2"

SanTec® Multi urinal control 9V

See Multi 230V, but for 9V
 battery supply
 Battery: alkaline 9V
 Solenoid valve: 6V
 Battery lifecycle: 100.000 flushings
 (about 2 years)
 Pre-flushing: none
 Main flushing: 1 – 10 sec.
 Flow pressure: 0.5 – 6 bar
 Static pressure: max. 8 bar

Pre-wall system *WM* Bismat® UR Multi:

Completely pre-assembled for SanTec® Multi
 urinal control
 Material: steel, epoxy coated
 Includes:

- wall recess mounted box (135 x 165 x 77 mm)
 with integrated shut-off valve, dirt filter and
 flexible hose
- waste pipe DN50 with rubber reducing
 piece 40 mm
- noise insulated waste pipe
- water connection: 1/2"
- 2 threaded rods M10 for fixing of the urinal
- fixing material for wall and floor



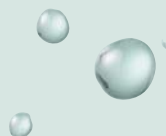
WM Bismat® UR Standard

The pre-wall system is suitable for almost every standard ceramic urinal. Due to the universal mounting plate it is also suitable for most built-in pressure valve flushing systems.

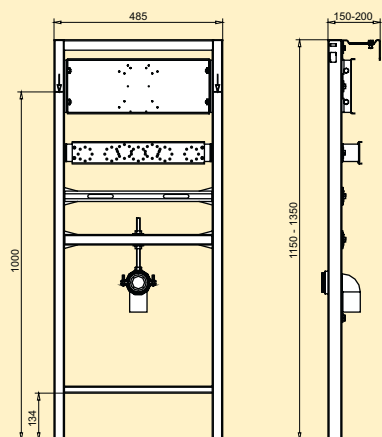
Pre-wall system:

WM Bismat® UR Standard

035 1 004



DIMENSIONS in mm:



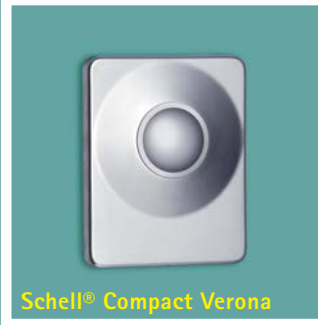
TECHNICAL DATA:

Pre-wall system *WM* Bismat® UR Standard:

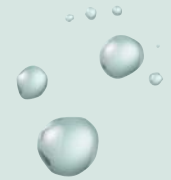
Completely pre-assembled

Material: steel, epoxy coated

- Includes:
- waste pipe DN50 with rubber reducing piece 40 mm
 - noise insulated waste pipe
 - water connection: 1/2"
 - 2 threaded rods M10 for fixing of the urinal
 - fixing material for wall and floor



Schell® Compact Verona



WM Bismat® UR Schell

Pre-wall system with pre-assembled built-in mounting box for built-in pressure valve flushing system Schell® Compact Verona. Suitable for most standard ceramic urinals.

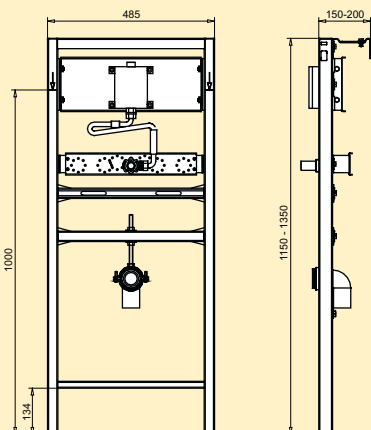
Pre-wall system:

WM Bismat® UR Schell	035 1 097
------------------------	-----------

Built-in pressure valve flushing system Schell® Compact Verona

Cover plate: Matt chromium	White	Polished chromium
035 1 916	035 1 918	035 1 920

DIMENSIONS in mm:



TECHNICAL DATA:

Pre-wall system *WM* Bismat® UR Schell:

Completely pre-assembled for Schell® built-in pressure valve system

Material: steel, epoxy coated

- Includes:
- waste pipe DN50 with rubber reducing piece 40 mm
 - noise insulated waste pipe
 - water connection: 1/2"
 - 2 threaded rods M10 for fixing of the urinal
 - fixing material for wall and floor

Pressure valve flushing system:

Schell®, type Compact Verona

Flow pressure: 1.2 - 5 bar

Flow rate: 0.3 - 0.7 l/sec.

Also available
with top control

(*WM* Bismat® Top, see page 16)



***WM* Bismat® VN**

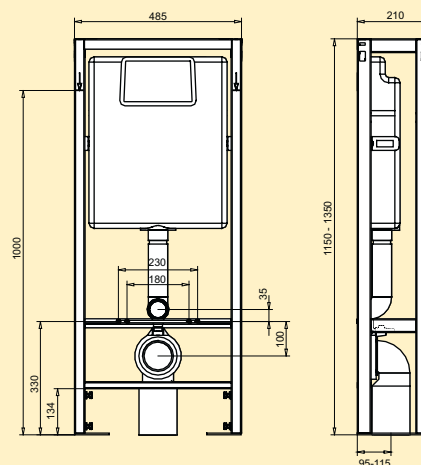
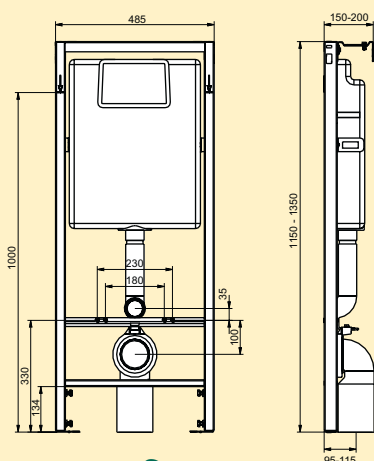
For fixing to the wall or to the rear of another pre-wall system. With front control.

***WM* Bismat® VN Quattro**

Stand alone design. Can be used as room divider or in combination with a light partition wall. With front control.



DIMENSIONS in mm:





WM Bismat® VN

Bismat® VN offers a solution for each toilet situation. For manual controlled flushing, different attractively designed control panels are available. For applications with special demands regards hygiene and comfort, Bismat® VN with Flow infra-red control is the ideal solution.

Manual WC-control:

Pre-wall system:	Drainage	90 mm ¹⁾	110 mm
WM Bismat® VN		035 1 406	035 1 400
WM Bismat® VN Quattro		035 1 407	035 1 401

¹⁾ Belgium and France

Extensions:

Manual control panels Ellipse and Cube

Duo-flush or Start/Stop

Available in various colours (see Page 17)

Infra-red WC-control:

Pre-wall system:	Drainage	90 mm ¹⁾	110 mm
WM Bismat® VN Flow		035 1 416	035 1 410

Completely pre-assembled for infra-red WC-control SanTec® Flow.

¹⁾ Belgium and France

Extensions:

Infra-red control SanTec® Flow (see page 14)

Cover plate:	Matt chromium	Polished chromium	White
230V (mains supply)	035 4 131	035 4 133	035 4 135

Manual control panels

(see Page 17)

Cube



Ellipse



Infra-red WC-control

(see Page 14)

SanTec® Flow



TECHNICAL DATA:

Frame *WM* Bismat® VN (Quattro):

Pre-assembled, self-supporting

Material: steel, epoxy coated

Includes:

- pre-assembled waste pipe allowing 20 mm depth adjustment
- fixing material for wall and floor
- PE WC-connection kit DN80
- 2 threaded rods M12 for fixing of the WC
- pre-assembled mounting box with cables (only in pre-wall system *WM* Bismat® VN Flow)

Flushing cistern:

Sanicontrol type „Winner“

- Start/Stop or duo-flush, adjustable flushing volume 3/6 litre (standard) or 4/7.5 litre
- Front control
- Thermal insulated
- water connection: 1/2"
- 5 years guarantee (10 year spare part availability)



INFRA-RED WC-CONTROL FOR IMPROVED COMFORT AND HYGIENE.

- Flushes automatically after leaving the toilet or by passing the hand across the infra-red sensor
- Manual flush by pressing the flush button (optional)
- Quick and easy installation



FUNCTIONS:

DIMENSIONS in mm:

Automatic flushing



After leaving the toilet (switchable). Minimum stay time 15 sec.

Flushing



By passing the hand across the infra-red sensor or by pressing the manual push button.

Optional intermediate flushing

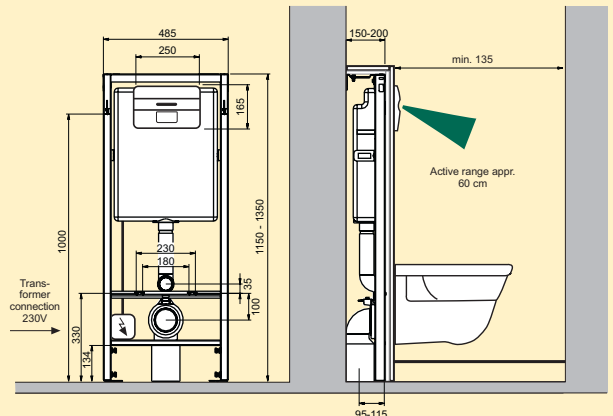


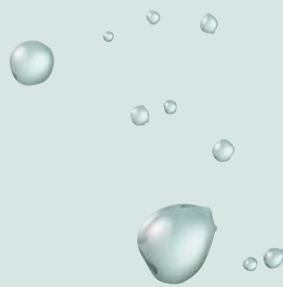
By pressing the push button.

Optional intermediate flushing



With connection to a support handle with integrated push button.





SanTec® FLOW

The non-contact infra-red WC-control SanTec® Flow in combination with the Bismat® VN Flow pre-wall system, offers optimum hygiene with maximum comfort. The automatic flush after leaving the WC (or by passing the hand across the infra-red sensor) and the optional intermediate flush guarantee comfort and reliability. Optional flushing by pressing the push button.

SanTec® Flow Infra-red WC-control

Non-contact flushing for pre-wall system *WM* Bismat® VN Flow.

Consists of:

- cover plate with integrated electronics and magnetic lifter
- transformer 230 - 12V*



Cover plate:	Matt-chromium	Polished chromium	White
230V	035 4 131	035 4 133	035 4 135

* SanTec® Flow is only available with mains power supply.

Pre-wall system	Drainage	90 mm ¹⁾	110 mm
WM Bismat® VN Flow		035 1 416	035 1 410

Completely pre-assembled for SanTec® Flow

¹⁾ Belgium and France

TECHNICAL DATA:

SanTec Flow WC-control 230V:

Operating voltage: 230 V / 50 Hz

Power consumption: average 1VA (peak 6VA)

Active range (short): appr. 3 cm

Active range (long): appr. 60 cm (standard), 30 – 80 cm (adjustable)





WM Bismat® Top

The WC-frame Bismat® Top is the ideal solution for situations where a low construction height or an option for top/front control is required. For flushing, the attractively designed "Space" control panel is available.

Pre-wall system:	Drainage	90 mm ¹⁾	110 mm
WM Bismat® Top		035 1 499	035 1 498

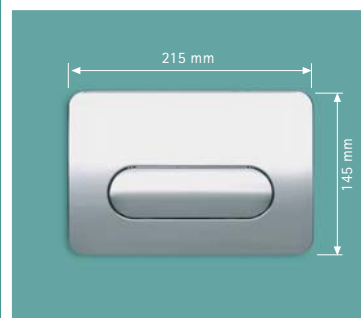
¹⁾ Belgium and France

Space

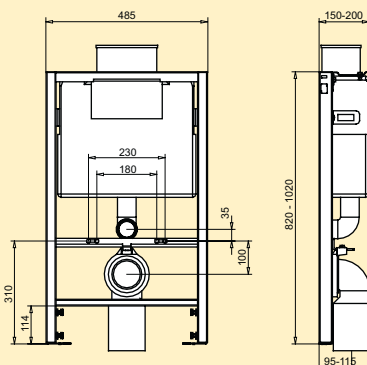
Control panels for the pre-wall system *WM* Bismat® Top.
Material: plastic



Colour	Start/Stop	Duo-flush
White	035 1 541	035 1 551
Matt-chromium	035 1 542	035 1 552
Parchment	-	035 1 553
Manhattan	-	035 1 554
Beige	-	035 1 555
Aegean	-	035 1 556
Natura	-	035 1 558
Polished chromium	-	035 1 559



DIMENSIONS in mm:



TECHNICAL DATA:

Frame *WM* Bismat® Top:

Material: steel, epoxy coated
Pre-assembled, self-supporting
Includes:

- pre-assembled waste pipe allowing 20 mm depth adjustment
- fixing material for wall and floor
- PE WC-connection kit DN80
- 2 threaded rods M12 for fixing of the WC

Flushing cistern:

Sanicontrol type „Evolut“









- Start/Stop or duo-flush, adjustable flushing volume 3/6 litre (standard) or 4/7.5 litre
- Front or top control
- Thermal insulated
- Water connection: 1/2"
- 5 years guarantee (10 year spare part availability)

Control panels for pre-wall systems *WM* Bismat® VN and Bismat® VN Quattro.

Ellipse

Material: plastic





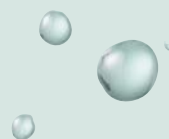
Colour	Start/Stop	Duo-flush
 White	035 1 501	035 1 511
 Matt-chromium	035 1 502	035 1 512
 Parchment	-	035 1 513
 Manhattan	-	035 1 514
 Beige	-	035 1 515
 Aegean	-	035 1 516
 Natura	-	035 1 518
 Polished chromium	-	035 1 519

Cube (vandalism proof)

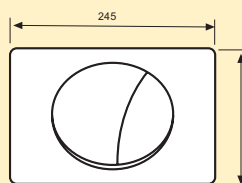
Material: pressure cast zinc alloy



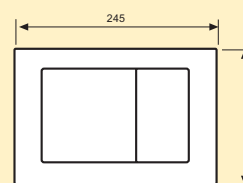
Colour	Start/Stop	Duo-flush
 White	035 1 521	035 1 531
 Matt-chromium	035 1 522	035 1 532
 Polished chromium	-	035 1 539



DIMENSIONS in mm:



Ellipse



Cube

WM Bismat® VX

For fixing to the wall or to the rear of another pre-wall system. With front control.

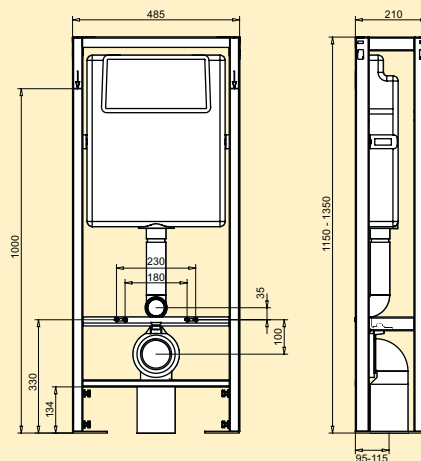
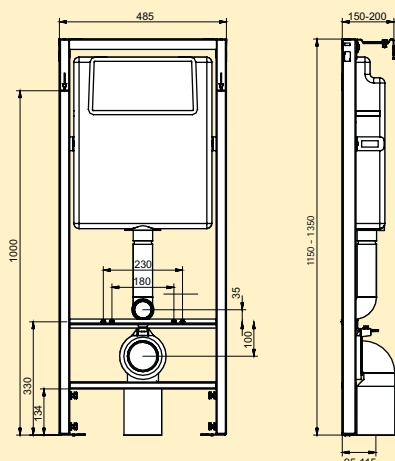


WM Bismat® Quattro

Stand alone design. Can be used as room divider or in combination with a light partition wall. With front control.



DIMENSIONS in mm:





WM Bismat® VX

Two designs for WC-mounting to the wall or as a stand alone WC, in combination with a light partition wall. With water economic flushing cistern. Proven technology for each project.

Pre-wall system:	Drainage:	90 mm ¹⁾	110 mm
WM Bismat® VX		035 1 006	035 1 000
WM Bismat® VX Quattro		035 1 007	035 1 001

¹⁾ Belgium and France

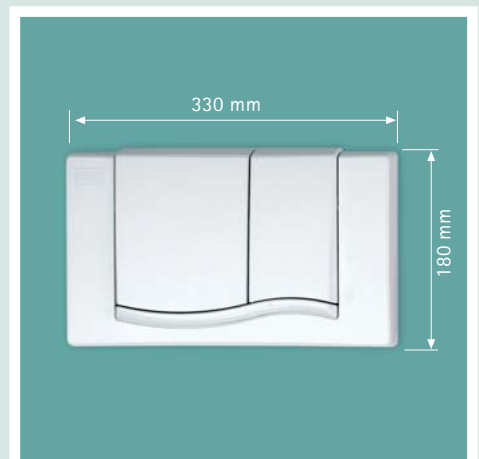
WAVE

Control panels for the pre-wall system *WM* Bismat® VX and Bismat® VX Quattro.

Material: plastic



Colour	Start/Stop	Duo-flush
White	035 1 561	035 1 571
Matt-chromium	035 1 562	035 1 572
Parchment	-	035 1 573
Manhattan	-	035 1 574
Beige	-	035 1 575
Aegean	-	035 1 576
Natura	-	035 1 578
Polished chromium	-	035 1 579



TECHNICAL DATA:

Frame *WM* Bismat® VX (Quattro):

Pre-assembled, self-supporting

Material: steel, epoxy coated

Includes:

- pre-assembled waste pipe allowing 20 mm depth adjustment
- fixing material for wall and floor
- PE WC-connection kit DN80
- 2 threaded rods M12 for fixing of the WC

Flushing cistern:

Sanicontrol type „Wave“

- Start/Stop or duo-flush, adjustable flushing volume 3/6 litre (standard) or 4.5/9 litre
- Front control
- Thermal insulated
- Water connection: 1/2"
- 5 years guarantee (10 year spare part availability)



THE NON-CONTACT WALL OUTLET CONTROL FOR OPTIMUM HYGIENE



- Easy installation
- Stainless steel front panel
- Available in two outlet lengths
- Mains or battery operation
- Automatic flow stop: no unintended water flow

FUNCTION :

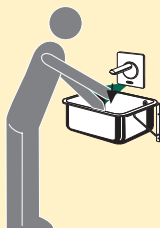
DIMENSIONS in mm :

Active range



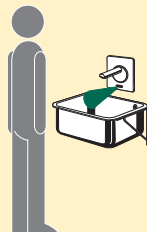
about 20 cm (adjustable from 15 to 35 cm).

Water flow

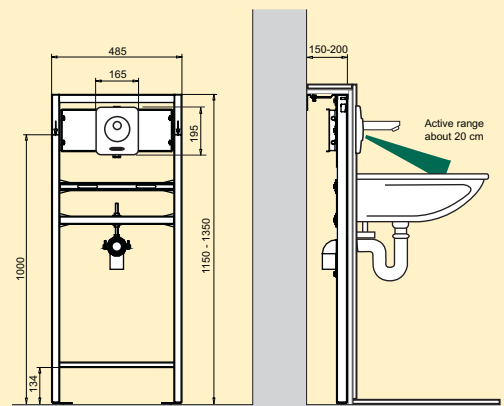


Water flows as long as hands are in the active range. Automatic flow stops after 2 minutes (adjustable).

Water flow stop



Water flow stops when the hands are removed from active range.





SanTec® SPLASH

The built-in wall-outlet SanTec® Splash is made of high quality stainless steel and is well suited to industrial applications. The water flows as long as the hands are in the active range, which is very hygienic and water economic. SanTec® Splash meets hygiene regulations of the health care and food industry.

SanTec® Splash infra-red wall-outlet consists of:

- front panel (stainless steel) with integrated infra-red electronics and outlet
- mounting frame and solenoid valve
- 1 battery and battery holder (execution 9V)
- transformer (execution 230V)



Design:	Outlet: 100 mm (standard)	150 mm
9V (battery supply)	035 1 351	035 1 353
230V (mains supply)	035 1 355	035 1 357

Pre-wall system:	
WM Bismat® WT Splash	035 1 193
Completely pre-assembled for SanTec® Splash	



The pre-wall system Bismat® WT Splash is perfectly suited for applications where there is a high risk of infection, such as **hospitals, food industry** and other situations where **maximum hygiene** is required.



TECHNICAL DATA:

Active range:	about 20 cm (adjustable 15 - 35 cm)
Flow:	as long as hands are in the active range (max. 2 min.)
Flow stop:	after 2 min. (adjustable 30 sec. - 4 min.)
Water flow volume:	12 l/min.
Flow pressure:	0.5 - 6 bar
Static pressure:	max. 8 bar
Water connection:	1/2"
Water temperature:	max. 38°C
Front panel:	165 x 195 mm (w x h)
Material:	stainless steel
Wall-recess mounted box:	135 x 165 x 77 mm (w x h x d)

SanTec® Splash 230V
 Operating voltage: 230 V / 50 Hz
 Power consumption: about 1 VA

SanTec® Splash 9V
 Operating voltage: 9V - alkaline battery
 Battery life: 100.000 operations
 (about 2 years)

Pre-wall system *WM* Bismat® WT Splash:
 Completely pre-assembled for SanTec® Splash
 Material: steel, epoxy coated
 Includes:

- wall recess mounted box with integrated shut-off valve and dirt filter
- pre-assembled waste pipe DN50 with reducing piece 32 mm
- noise insulated fixing of waste pipe
- flexible hose
- water connection: 1/2"
- 2 threaded rods M10 for fixing of the washing table
- fixing material for wall and floor



WM Bismat® WT Standard

Completely pre-assembled. Suitable for most types of ceramic wash-basin.

Pre-wall system *WM* Bismat® WT Standard

Completely pre-assembled
Material: steel, epoxy coated
Includes:

- pre-assembled waste pipe DN50 with reducing piece 32 mm
- noise insulated fixing of waste pipe
- 2 threaded rods M10 for fixing of the washing table
- fixing material for wall and floor

Pre-wall system:

WM Bismat® WT Standard

035 1 003

WM Bismat® WT barrier-free

Pre-wall system with built-in siphon for a barrier-free wash-basin installation.

Pre-wall system *WM* Bismat® WT barrier-free

Completely pre-assembled
Material: steel, epoxy coated
Includes:

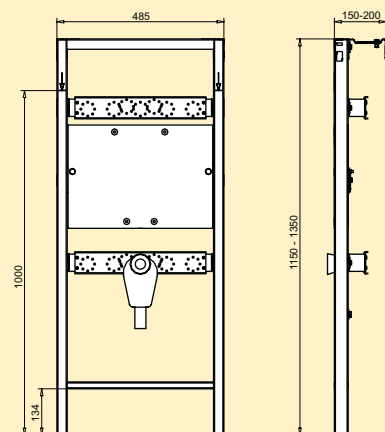
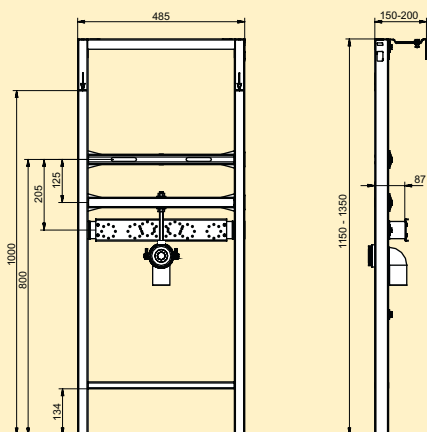
- pre-assembled waste pipe DN50 with reducing piece 32 mm
- stable multi-layer plywood board with water-resistant bond
- noise insulated fixing of waste pipe
- fixing material for wall and floor

Pre-wall system:

WM Bismat® WT barrier-free

035 1 017

DIMENSIONS in mm:





WM Bismat® WT Fixing plate

Built-in wooden plate for fixing of a wash-basin to a metal stud wall. Cost-effective solution for various applications.

Fixing plate:

Completely pre-assembled

- pre-assembled waste pipe DN50 with reducing piece 32 mm
- stable multi-layer plywood board with water-resistant bond
- noise insulated fixing of waste pipe

Mounting element:

WM Bismat® WT Fixing plate

035 1 077

WM Bismat® Slop sink

Pre-wall system with pre-assembled wooden plate. Suitable for fixing of many types of slop sink.

Pre-wall system *WM* Bismat® Slop sink:

Completely pre-assembled

Material: steel, epoxy coated

Includes:

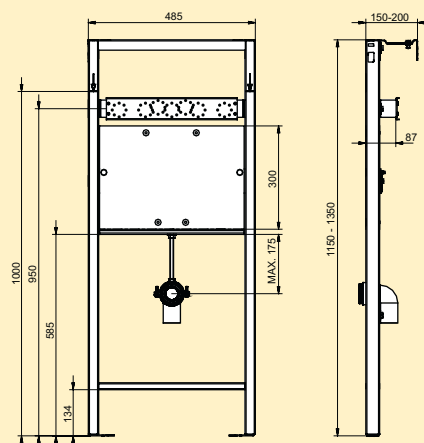
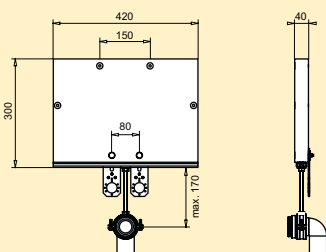
- stable multi-layer plywood board with water-resistant bond
- pre-assembled waste pipe DN50 with reducing piece 40 mm
- noise insulated fixing of waste pipe
- fixing material for wall and floor

Pre-wall system:

WM Bismat® Slop sink

035 1 015

DIMENSIONS in mm:





Max.
400 Kg



Max.
250 Kg

WM Bismat® Bidet

Completely pre-assembled pre-wall system. Suitable for most ceramic bidets.

Pre-wall system *WM* Bismat® Bidet:

Completely pre-assembled

Material: steel, epoxy coated

Includes:

- pre-assembled waste pipe DN50 with reducing piece 32 mm
- noise insulated fixing of waste pipe
- fixing material for wall and floor
- 2 threaded rods M12 for fixing of the bidet

Pre-wall system:

WM Bismat® Bidet

035 1 005

WM Bismat® Support frame

Pre-wall system for installation of handrests, washer seats, holders, etc.

WM Bismat® Support frame:

Completely pre-assembled

Material: steel, epoxy coated

Includes:

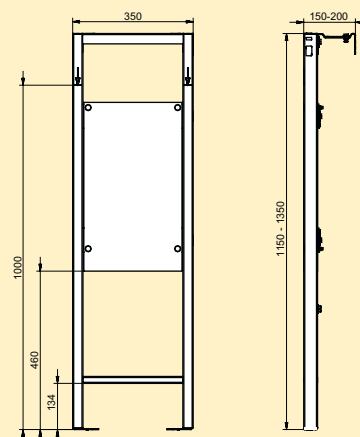
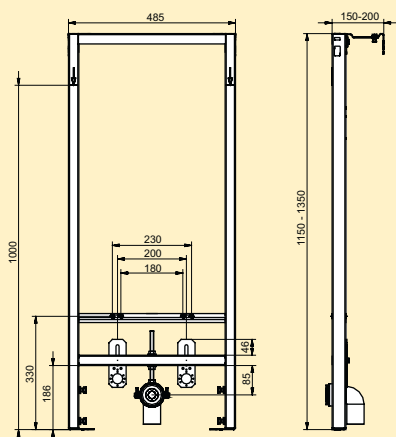
- stable multi-layer plywood board with water-resistant bond
- fixing material for wall and floor

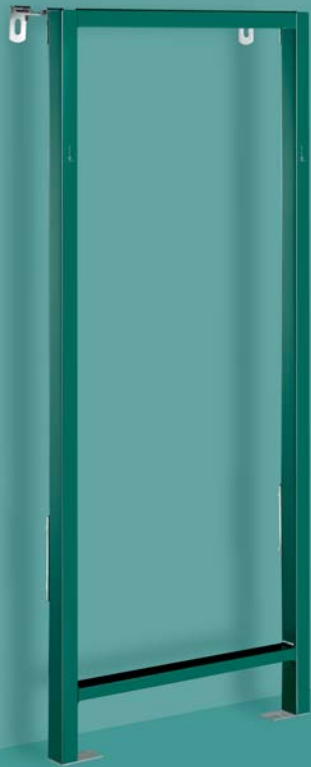
Pre-wall system:

WM Bismat® Support frame

035 1 008

DIMENSIONS in mm:





WM Bismat[®] Spacer frame

Pre-wall system to complete pre-wall constructions.

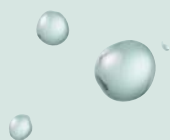
Pre-wall system:

Completely pre-assembled

Material: steel, epoxy coated

Includes:

- fixing material for wall and floor



Pre-wall system:

WM Bismat[®] Spacer frame

035 1 002

Coupling part

To be used for finishing pre-wall constructions. Can also be used as an intermediate support. Fixing material for wall and floor included.

Type:	Right	Left
Coupling part	035 1 038	035 1 032

WM Bismat[®] Installation System

The time and money saving system for building pre-wall constructions.

For more information:

United Kingdom: IHL Walraven Ltd.

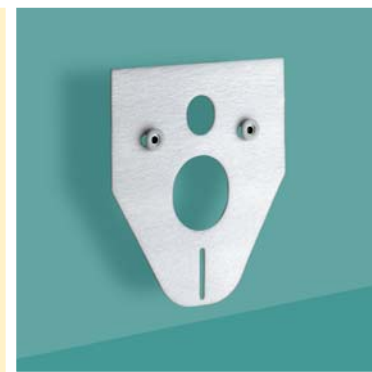
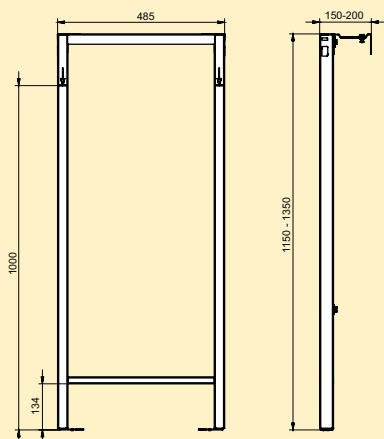
tel. +44 (0)1295 75 34 00

Other countries: Walraven International B.V.

tel. +31 (0)297 23 30 00



DIMENSIONS in mm:



Noise insulation kit for WC or bidet

Consists of:

- 1 insulation plate
- 2 insulation sleeves

Art.nr.: 035 2 382