

WALRAVEN



INDEPENDENT WC-COMFORT

- individually and easily adjustable height to reach the water closet and height of the seat

- at the same time it helps when sitting down and standing up in the toilet

- higher comfort and independency when using the sanitary equipment

- different facilities, for example extensions to raise the height of the water closet, which are unsafe or not hygienic, are things of the past

- suitable for almost every standard model of wall hung pan

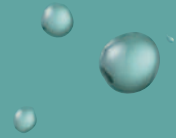
- if necessary it is possible to install hand rests on the frame

- height difference between the wall hung pan and hand rest is always equal

- the physical workload of nursing staff is reduced



Variclo®



MORE INDEPENDENT AND BETTER LIFE WITH VARICLO

10 cm



You can easily adjust height of the water closet by 30 cm: VariClo ComfortExtra or ComfortDeLuxe

TECHNICAL DATA:

Pre wall frame:

- Material: steel, epoxy coated
Floor support: adjustable height: 90 mm
Wall support: adjustable depth: 70 mm (von 230 – 300 mm)
Loading capacity: 400 kg (tested in accordance with NF X41002, XPD12-208)
Including:
- vertical or horizontal drainage system
 - flexible, lockable inflow hose 1/2"
 - tubular box spanner (for mechanical height adjustment)
 - fixing material
 - drilling template
 - assembly instructions, service instructions

Flush cistern:

- Type: Geberit
Flush volume: 3 and 6 litre, adjustable to 4 and 7,5 litre
Including:
- Control panel (white)
 - 10-year guarantee, 5 years on sealing



VariClo® means comfort in any age

Water closets are usually assembled with a preset seat height. This could cause a problem for senior citizens, the disabled or wheel chair users when using a water closet. To solve this situation there are often different extensions used which are not hygienic or safe.

VariClo® is a hygienic built-in component, which makes it possible to adjust the height of the water closet seat to the individual requirements of its user at any time.

There are three designs available:

VariClo® with the possibility to mechanically adjust the water closet height by 10 or 30 cm will usually satisfy your requirements in your own home. If there are more users or a requirement for assistance when sitting down and standing up, it would be better to choose a VariClo® ComfortDeLuxe which has an electrically supplied height adjustment of 30 cm.

1 VariClo® Comfort

Seat height can be easily **mechanically adjusted by 10 cm** at any time, including basic frame with flush cistern, control panel (white), protective cover (white) and drainage system.

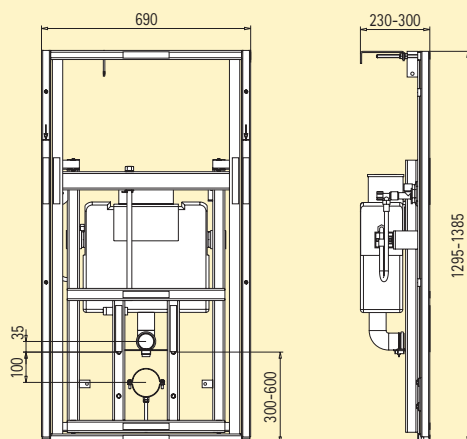


VariClo® Comfort	90 mm	110 mm
Vertical drainage	–	035 3 100
Right horizontal drainage	035 3 101	035 3 103
Left horizontal drainage	035 3 102	035 3 104
Extension possibilities:		
Suspension frame with white protective cover for mechanical height adjustment up to 30 cm		035 3 030
Elec. motor for electrical height adjustment up to 30 cm*		035 3 080
Foldable hand rests (stainless steel)*:		
- standard		035 3 060
- with electrical height adjustment		035 3 065

*only in combination with the suspension frame (035 3 030)



DIMENSIONS in mm:



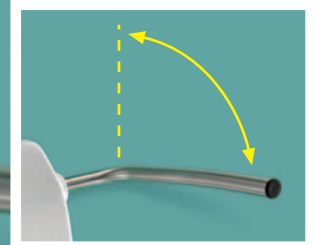
Pre wall frame with pre-assembled flush cistern, suitable for integration into normal pre wall installations.



Extensions:



Electrical height adjustment
035 3 080



Standard foldable hand rests
(stainless steel)
035 3 060



Foldable hand rests with
electrical height adjustment
035 3 065



Non-contact Infra-red
WC-Control System VariFlush
Installation kit 035 3 210

Front panel:
Matt chromium 035 3 205
Shine chromium 035 3 206
White 035 3 207

TECHNICAL DATA:

Pre wall frame:

- Material: steel, epoxy coated
- Floor support: adjustable height: 90 mm
- Wall support: adjustable depth: 70 mm (von 230 – 300 mm)
- Loading capacity: 400 kg (tested in accordance with NF X41002, XPD12-208)
- Including:
 - vertical or horizontal drainage system
 - flexible, lockable inflow hose 1/2"
 - tubular box spanner (for mechanical height adjustment)
 - fixing material
 - drilling template
 - assembly instructions, service instructions

Flush cistern:

- Type: Geberit
- Flush volume: 3 and 6 litre, adjustable to 4 and 7,5 litre
- Including:
 - Control panel (white)
 - 10-year guarantee, 5 years on sealing



2 VariClo® ComfortExtra

Seat height can be easily **mechanically adjusted up to 30 cm**, including basic frame with flush cistern, control panel (white), suspension frame with protective cover (white) and drainage system.

VariClo® ComfortExtra	90 mm	110 mm
Vertical drainage	-	035 3 110
Right horizontal drainage	035 3 111	035 3 113
Left horizontal drainage	035 3 112	035 3 114
Extension possibilities:		
Elec. motor for electrical height adjustment up to 30 cm		035 3 080
Foldable hand rests (stainless steel):		
- standard		035 3 060
- with electrical height adjustment		035 3 065

More safety and independence

VariClo® offers to habitants in the Resendential Homes more independence and less dependency on the nursing staff. Therefore, there is no need to use unstable and non-hygienic extensions for the water closet.

If necessary, it is possible to mount hand rests on the VariClo® base. They are ergonomically styled so that the difference between the water closet and hand rests is always equal. It enables you to sit down and stand up more safely than alternative facilities offer you.

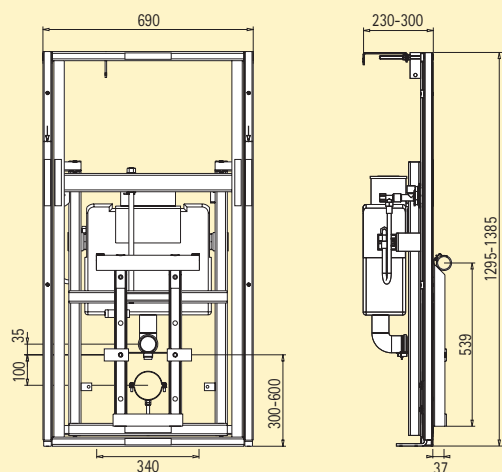
3 VariClo® ComfortDeLuxe

Seat height can be easily **electrically adjusted up to 30 cm**, including basic frame with flush cistern, control panel (white), suspension frame with protective cover (white), electrical motor with tumbler switch and drainage system.

VariClo® ComfortDeLuxe	90 mm	110 mm
Vertical drainage	-	035 3 120
Right horizontal drainage	035 3 121	035 3 123
Left horizontal drainage	035 3 122	035 3 124
Extension possibilities:		
Foldable hand rests (stainless steel):		
- standard		035 3 060
- with electrical height adjustment		035 3 065



DIMENSIONS in mm :



Pre wall frame with pre-assembled flush cistern, suitable for integration into normal pre wall installations.

Suspension frame:

Material: steel, epoxy coated



Nederland:

Walraven B.V.
Postbus 15
NL-3640 AA Mijdrecht
Tel.: +31 (0)297 23 30 00
Fax: +31 (0)297 23 30 33
info@walraven.com

France:

Walraven SARL
2, Allée du Moulin Berger
F-69130 Ecully
Tél.: +33 (0)4 78 66 15 10
Fax: +33 (0)4 78 64 55 89
info@walraven.fr

Polska:

Walraven Sp. z.o.o.
ul. Zakopiańska 85
PL-30 418 Kraków
Tel.: +48 (0)12 268 42 61
Fax: +48 (0)12 268 42 60
info@walraven.pl

België/Belgique:

Walraven BVBA
Ambachtenlaan 30
B-3300 Tienen
Tel.: +32 (0)16 82 20 40
Fax: +32 (0)16 82 01 86
info@walraven.be

United Kingdom:

IHL Walraven Ltd.
Thorpe Close, Banbury
Oxon, UK-OX16 4UU
Tel.: +44 (0)1295 75 34 00
Fax: +44 (0)1295 75 34 28
sales@walraven.co.uk

Slovakia:

Walraven Slovakia s.r.o.
Elektrarenska 1
SK-813 03 Bratislava
Tel.: +421 (0)2 44 63 03 75
Fax: +421 (0)2 44 63 03 76
info@walraven.sk

Deutschland:

BIS Walraven GmbH
Postfach 125128
D-95425 Bayreuth
Tel.: +49 (0)921 7560 0
Fax: +49 (0)921 7560 222
info@bis-walraven.de

Česká Republika:

Walraven IS s.r.o.
Bezděčín 88
CZ-29301 Mladá Boleslav
Tel.: +420 326 72 40 09
Fax: +420 326 73 73 91
info@walraven-is.cz

Other countries:

Walraven International B.V.
PO Box 15
NL-3640 AA Mijdrecht
Tel.: +31 (0)297 23 30 00
Fax: +31 (0)297 28 64 09
export@walraven.com

Visit our website: www.variclo.com