

**WALRAVEN**



**INCREASES YOUR  
PRIVATE COMFORT**



■ easily adjustable height to reach the water closet and height of the seat

■ at the same time it helps when sitting down and standing up in the toilet

■ higher comfort and independency when using the sanitary equipment

■ different facilities, for example extensions to raise the height of the water closet, which are unsafe or not hygienic, are things of the past

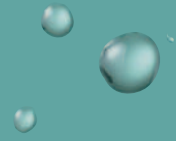
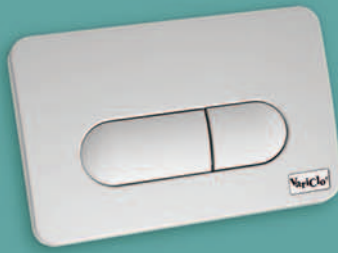
■ suitable for almost every standard model of wall hung pan

■ if necessary it is possible to install hand rests on the frame

■ height difference between the wall hung pan and hand rest is always equal

**BETTER INSTALLATION SYSTEMS**

**VariClo®**



# VARICLO IS A GUARANTEE OF YOUR INDEPENDENCY IN OLD AGE

10 cm



You can easily adjust height of the water closet by 30 cm: VariClo ComfortExtra or ComfortDeLuxe

## TECHNICAL DATA:

### Pre wall frame:

- Material: steel, epoxy coated  
Floor support: adjustable height: 90 mm  
Wall support: adjustable depth: 70 mm (von 230 – 300 mm)  
Loading capacity: 400 kg (tested in accordance with NF X41002, XPD12-208)  
Including:
- vertical or horizontal drainage system
  - flexible, lockable inflow hose 1/2"
  - tubular box spanner (for mechanical height adjustment)
  - fixing material
  - drilling template
  - assembly instructions, service instructions

### Flush cistern:

- Type: Geberit  
Flush volume: 3 and 6 litre, adjustable to 4 and 7,5 litre  
Including:
- Control panel (white)
  - 10-year guarantee, 5 years on sealing



## VariClo® means comfort in any age

It can be a considerable problem for the elderly, disabled persons, very tall or small persons when sitting down and standing up from an extremely high, alternatively very low water closet. A solution is a water closet with the possibility to adjust the height.

## It is possible to adjust the water closet height any time

VariClo® is a hygienic built-in system which makes it possible to adjust the height of the water closet seat to individual requirements any time. In addition it satisfies the high requirements for design and hygiene and it can be inconspicuously incorporated into every hygienic space.

## There are three designs available:

VariClo® with a possibility to mechanically adjust the water closet height by 10 or 30 cm will usually satisfy your requirements in your own home. If there are more users or a necessity of facilities when sitting down and standing up, it would be better to choose a VariClo® ComfortDeLuxe which has an electrically supplied height adjustment of 30 cm.

# 1 VariClo® Comfort

Seat height can be easily **mechanically adjusted by 10 cm** at any time, including basic frame with flush cistern, control panel (white), protective cover (white) and drainage system.

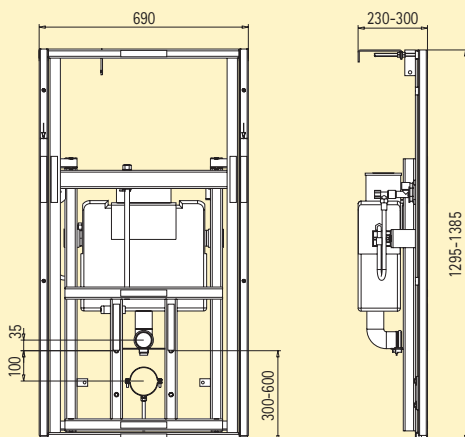


VariClo® Comfort	90 mm	110 mm
Vertical drainage	–	035 3 100
Right horizontal drainage	035 3 101	035 3 103
Left horizontal drainage	035 3 102	035 3 104
<b>Extension possibilities:</b>		
Suspension frame with white protective cover for mechanical height adjustment up to 30 cm		035 3 030
Elec. motor for electrical height adjustment up to 30 cm*		035 3 080
Foldable hand rests (stainless steel)*:		
- standard		035 3 060
- with electrical height adjustment		035 3 065

\*only in combination with the suspension frame (035 3 030)



## DIMENSIONS in mm:



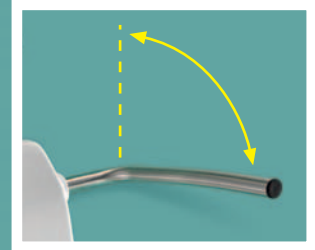
Pre wall frame with pre-assembled flush cistern, suitable for integration into normal pre wall installations.



## Extensions:



Electrical height adjustment  
035 3 080



Standard foldable hand rests  
(stainless steel)  
035 3 060



Foldable hand rests with  
electrical height adjustment  
035 3 065



Non-contact Infra-red  
WC-Control System VariFlush  
Installation kit 035 3 210

**Front panel:**  
Matt chromium 035 3 205  
Shine chromium 035 3 206  
White 035 3 207

## TECHNICAL DATA:

### Pre wall frame:

- Material: steel, epoxy coated
- Floor support: adjustable height: 90 mm
- Wall support: adjustable depth: 70 mm (von 230 – 300 mm)
- Loading capacity: 400 kg (tested in accordance with NF X41002, XPD12-208)
- Including:
  - vertical or horizontal drainage system
  - flexible, lockable inflow hose 1/2"
  - tubular box spanner (for mechanical height adjustment)
  - fixing material
  - drilling template
  - assembly instructions, service instructions

### Flush cistern:

- Type: Geberit
- Flush volume: 3 and 6 litre, adjustable to 4 and 7,5 litre
- Including:
  - Control panel (white)
  - 10-year guarantee, 5 years on sealing



## 2 VariClo® ComfortExtra

Seat height can be easily **mechanically adjusted up to 30 cm**, including basic frame with flush cistern, control panel (white), suspension frame with protective cover (white) and drainage system.

VariClo® ComfortExtra	90 mm	110 mm
Vertical drainage	-	035 3 110
Right horizontal drainage	035 3 111	035 3 113
Left horizontal drainage	035 3 112	035 3 114
<b>Extension possibilities:</b>		
Elec. motor for electrical height adjustment up to 30 cm		035 3 080
Foldable hand rests (stainless steel):		
- standard		035 3 060
- with electrical height adjustment		035 3 065

## 3 VariClo® ComfortDeLuxe

Seat height can be easily **electrically adjusted up to 30 cm**, including basic frame with flush cistern, control panel (white), suspension frame with protective cover (white), electrical motor with tumbler switch and drainage system.

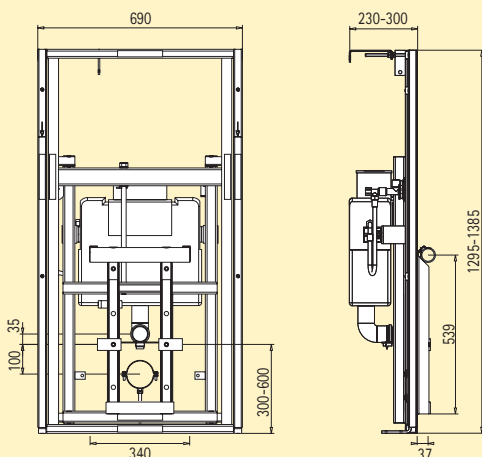
VariClo® ComfortDeLuxe	90 mm	110 mm
Vertical drainage	-	035 3 120
Right horizontal drainage	035 3 121	035 3 123
Left horizontal drainage	035 3 122	035 3 124
<b>Extension possibilities:</b>		
Foldable hand rests (stainless steel):		
- standard		035 3 060
- with electrical height adjustment		035 3 065

### Higher life standard

More and more people wish to be independent for as long as possible. However a situation may arise where the residential area will have to be adapted to certain limitations of its inhabitant. VariClo® can considerably help a person with such limitations to remain living in their own home.



### DIMENSIONS in mm:



Pre wall frame with pre-assembled flush cistern, suitable for integration into normal pre wall installations.

#### Suspension frame:

Material: steel, epoxy coated



## Nederland:

**Walraven B.V.**  
Postbus 15  
NL-3640 AA Mijdrecht  
Tel.: +31 (0)297 23 30 00  
Fax: +31 (0)297 23 30 33  
info@walraven.com

## France:

**Walraven SARL**  
2, Allée du Moulin Berger  
F-69130 Ecully  
Tél.: +33 (0)4 78 66 15 10  
Fax: +33 (0)4 78 64 55 89  
info@walraven.fr

## Polska:

**Walraven Sp. z.o.o.**  
ul. Zakopiańska 85  
PL-30 418 Kraków  
Tel.: +48 (0)12 268 42 61  
Fax: +48 (0)12 268 42 60  
info@walraven.pl

## België/Belgique:

**Walraven BVBA**  
Ambachtenlaan 30  
B-3300 Tienen  
Tel.: +32 (0)16 82 20 40  
Fax: +32 (0)16 82 01 86  
info@walraven.be

## United Kingdom:

**IHL Walraven Ltd.**  
Thorpe Close, Banbury  
Oxon, UK-OX16 4UU  
Tel.: +44 (0)1295 75 34 00  
Fax: +44 (0)1295 75 34 28  
sales@walraven.co.uk

## Slovakia:

**Walraven Slovakia s.r.o.**  
Elektrarenska 1  
SK-813 03 Bratislava  
Tel.: +421 (0)2 44 63 03 75  
Fax: +421 (0)2 44 63 03 76  
info@walraven.sk

## Deutschland:

**BIS Walraven GmbH**  
Postfach 125128  
D-95425 Bayreuth  
Tel.: +49 (0)921 7560 0  
Fax: +49 (0)921 7560 222  
info@bis-walraven.de

## Česká Republika:

**Walraven IS s.r.o.**  
Bezděčín 88  
CZ-29301 Mladá Boleslav  
Tel.: +420 326 72 40 09  
Fax: +420 326 73 73 91  
info@walraven-is.cz

## Other countries:

**Walraven International B.V.**  
PO Box 15  
NL-3640 AA Mijdrecht  
Tel.: +31 (0)297 23 30 00  
Fax: +31 (0)297 28 64 09  
export@walraven.com

Visit our website: [www.variclo.com](http://www.variclo.com)