



HSB Half-height Sensor Barriers



The new generation by Kaba



Our product advantages

- ✓ comfortable passage, even with bulky bags or luggage
- ✓ no contact with barrier element
- ✓ high throughput rate
- ✓ three security levels
- ✓ high pedestrian safety
- ✓ solution for handi-capped people
- ✓ modular construction
- ✓ varied design options
- ✓ ergonomic shape

The requirements for security and aesthetics in companies and public institutions are growing continuously. Units to regulate the flow of people play a leading role in this context. Since they are usually placed in the reception area, they provide visitors with a first and lasting impression of the building. The main requirements are comfort, speed, modularity and efficiency.

To keep pace with these requirements Kaba Gallenschütz developed the additional HSB product family, designed to control the admission of staff and visitors in office and administration buildings, airports and public authorities. The half-height sensor barriers combine features like high throughput rate, user acceptance, comfort, attractive design and different levels of security to prevent unauthorised access - pedestrian safety has been taken into account.

The unit is a sensor controlled passageway with automatic half-height swing doors. After a release the doors open with a swift motion in the chosen direction and enable a comfortable passage, even with bulky bags or luggage. Straight after the passage they close again automatically to prevent unauthorised entry.

The sensor barriers are available in three different lengths – the sensor system used in every case determines the level of singling out and thus of security.

The two finish lines available – functional stainless steel or stylish glass – have the same function, yet enable a variety of design choices.

As solution for the access with wheel chairs we can provide an additional version with 900 mm passage width.

Kerberos HSB – the stainless steel line



Kerberos HSB-E04

The functional stainless steel line uses, following the modularity principle, the housing shape of the proven Kerberos tripod barriers. A variety of shapes, colours and surface finishes (marble, wood,

granite...) enable an individual design. The barrier element is also available in different versions and can be personalised, for instance with the company's logo or any other figure wished.

Kerberos HSB – the stainless steel line



Kerberos HSB-S02

Our „Style“ version features a housing designed together with the leading architecture studio Ingenhoven & Partner. We attached great importance to shape and design elements,

as well as to fulfil the expectations of the users.

This attractive upmarket solution is particularly suitable for prestige lobby areas.

Charon HSB – the glass line



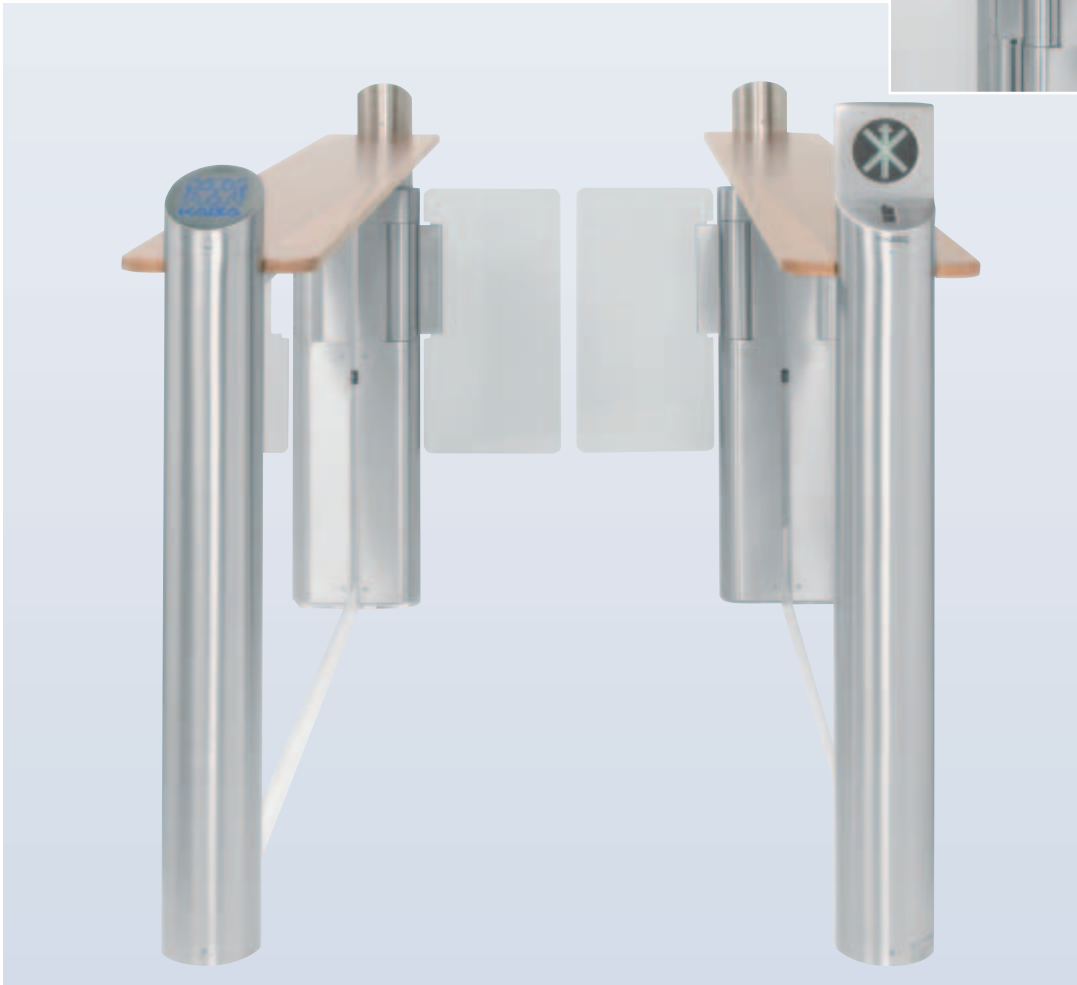
Charon HSB-E07

Like for all other products of the Charon line, transparency and stylish design determine the appearance of the units.

The slim side walls are made of glass, the swing doors of

shock-resistant plastic. The card reader can be installed on a stand alone column or integrated in the guiding element. Optional signal devices indicate clearly if the way is free for passage or not.

Charon HSB – the glass line

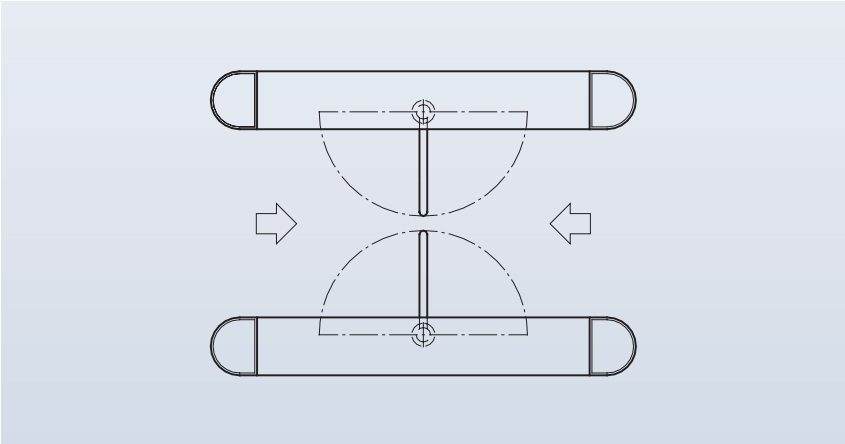


Charon HSB-E09

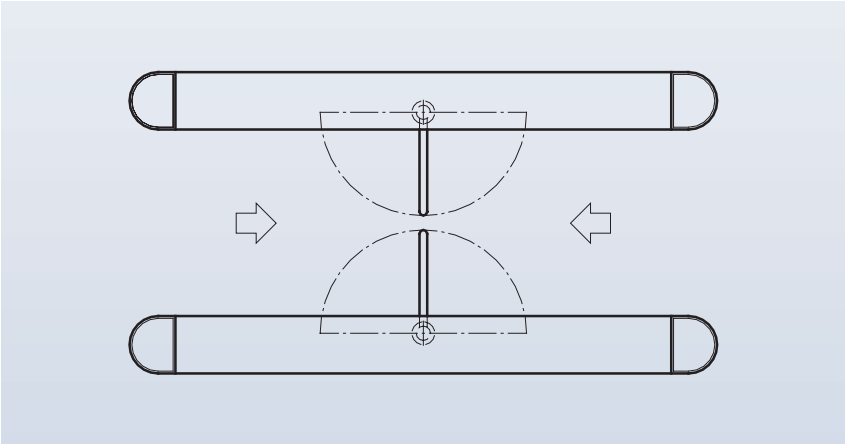
For an individual design we can provide the swing door wings in a variety of colours. The covering panels can be featured in different shapes, for instance rectan-

gular or elliptical. As for the material, you can choose between different wood types, granite or marble imitations, plastic etc.

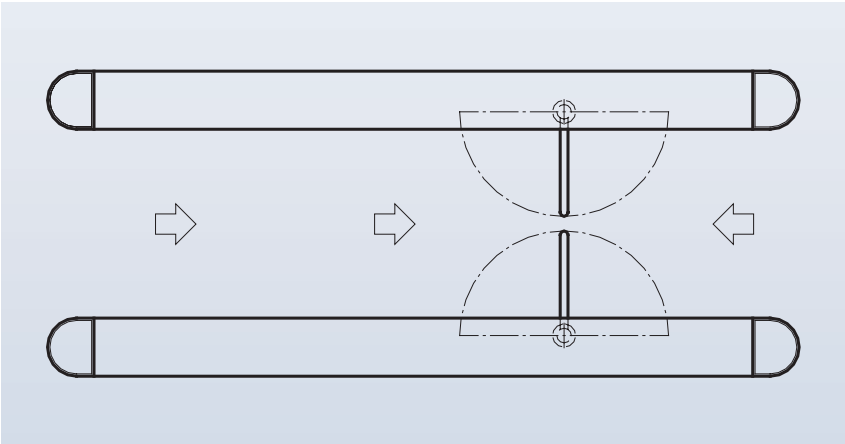
Three length options, three security levels



security level 1
basic sensor system in compact overall length with ground level of single passage regulation in both directions



security level 2
enhanced sensor system in optimised overall length with increased level of single passage regulation in both directions



security level 3
complex and extensive sensor system with high level of single passage regulation in entry direction

The variety of the HSB-family



Kaba Gallenschütz GmbH
Nikolaus-Otto-Strasse 1
D - 77815 Bühl (Baden)
Tel. : +49 (0) 7223/286-0
Fax : +49 (0) 7223/286-111
info@kga.kaba.com
www.kaba-gallenschuetz.de

