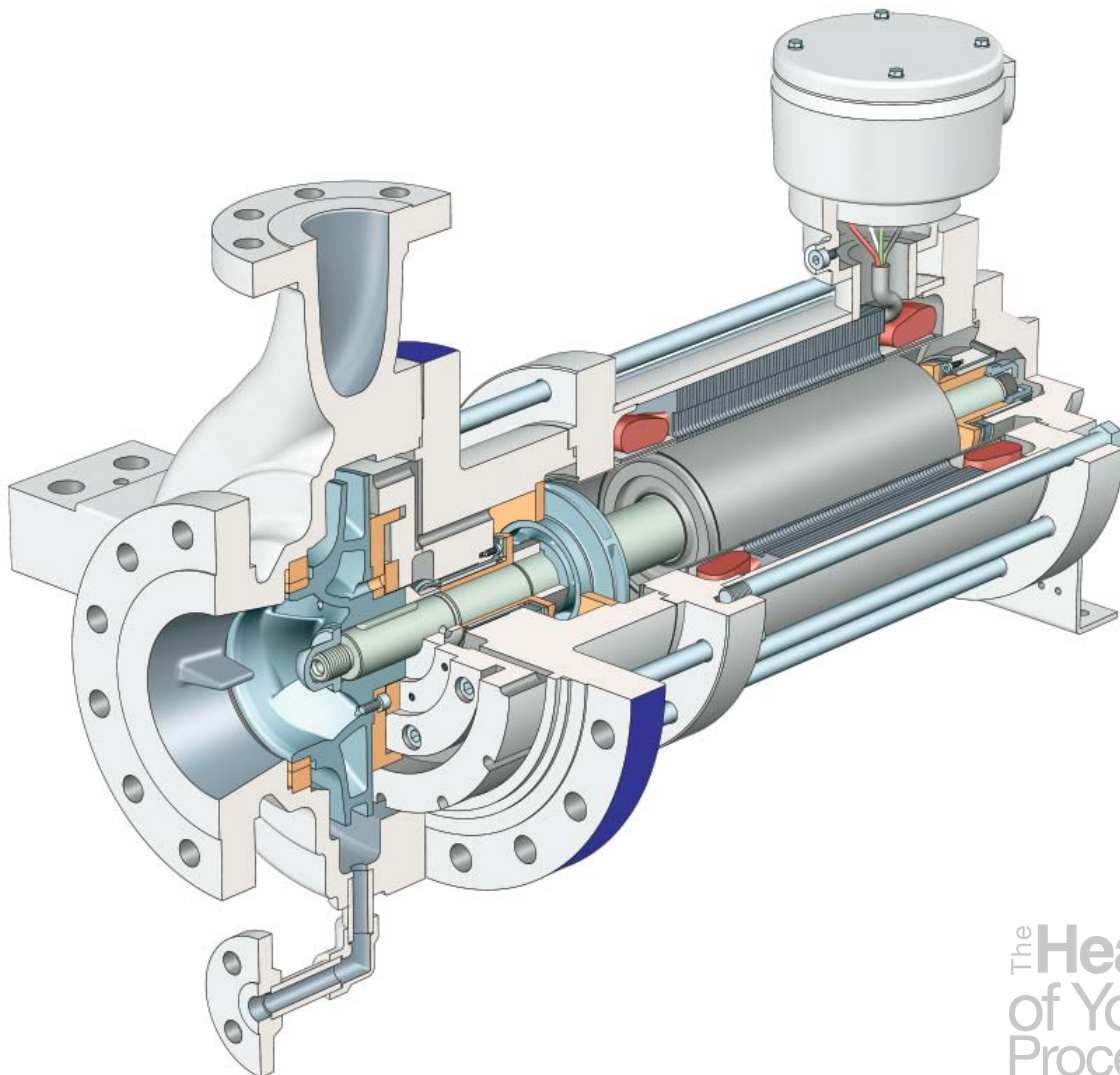


OHC Process Pump API 685 Canned Motor



Design Features and Benefits

Casing

- Centerline mounted, self venting
- Interchangeable with OHH and OHM pumps
- Nominal 50 Bar, 740 psig design
- 300# RF flanges; DIN/ISO PN 40 or PN 64 optional
- Designed for 2 times API 685 nozzle loads

Casing Cover/Intermediate Lantern

- Modular design
- Provides easy adaption of different canned motor sizes and types

Auxiliary Impeller

- In rotor chamber for handling liquids with higher vapor pressure or for cooling circuit in heat exchanger pumps (optional)

Impeller

- Over 70 different hydraulics
- Enclosed for high efficiency
- Dynamically balanced
- 11,000 Nss standard
- Optional low NPSH designs available

Wear Rings

- Replaceable wear rings designed for lowest wear
- Front casing and impeller wear rings interchangeable with OHH and OHM
- Material combinations per API 685
- Chrome or Stainless Steel against hardfaced

Throttle Rings

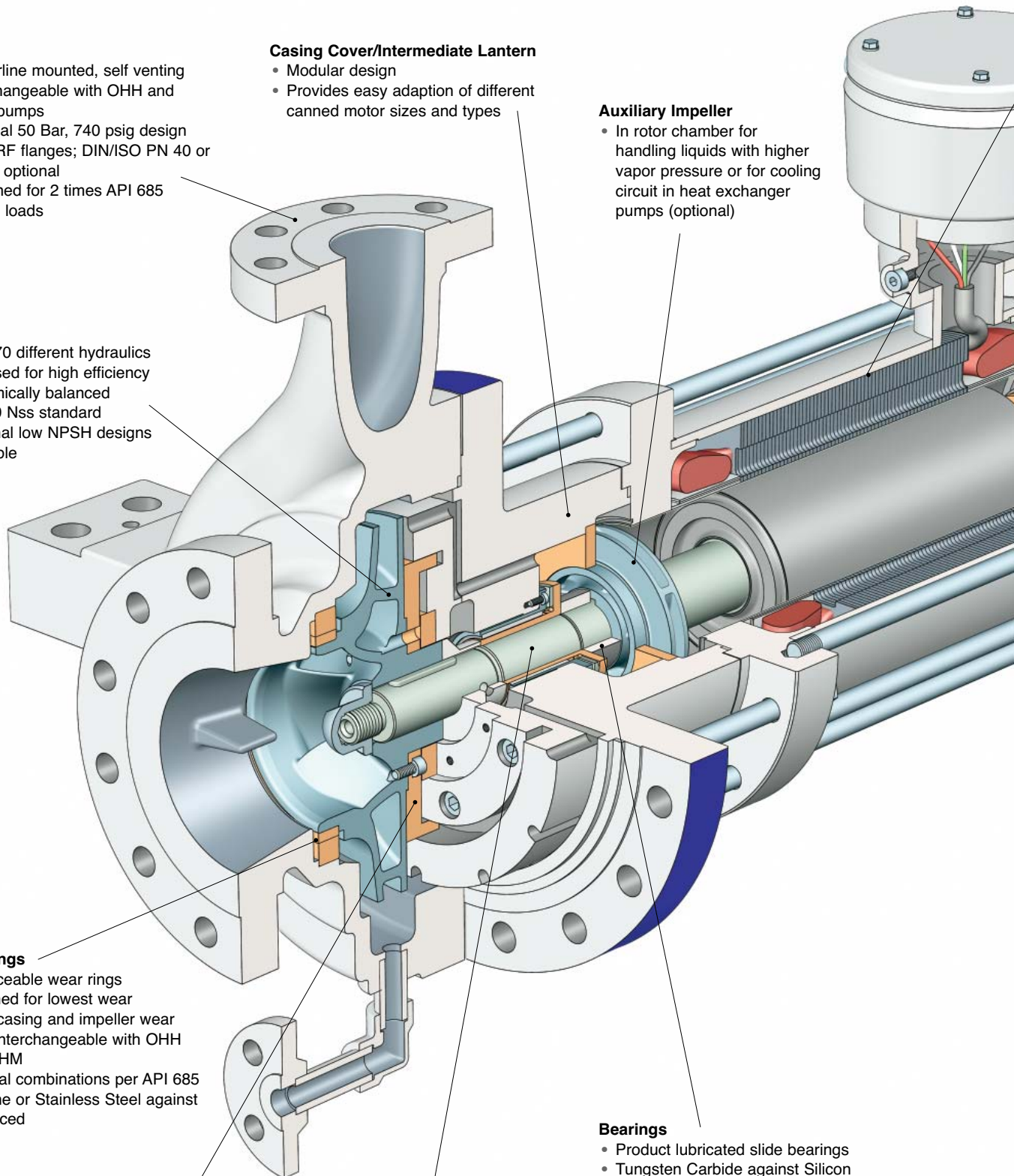
- Residual thrust balance device
- Self compensating
- Easily replaceable throttle rings

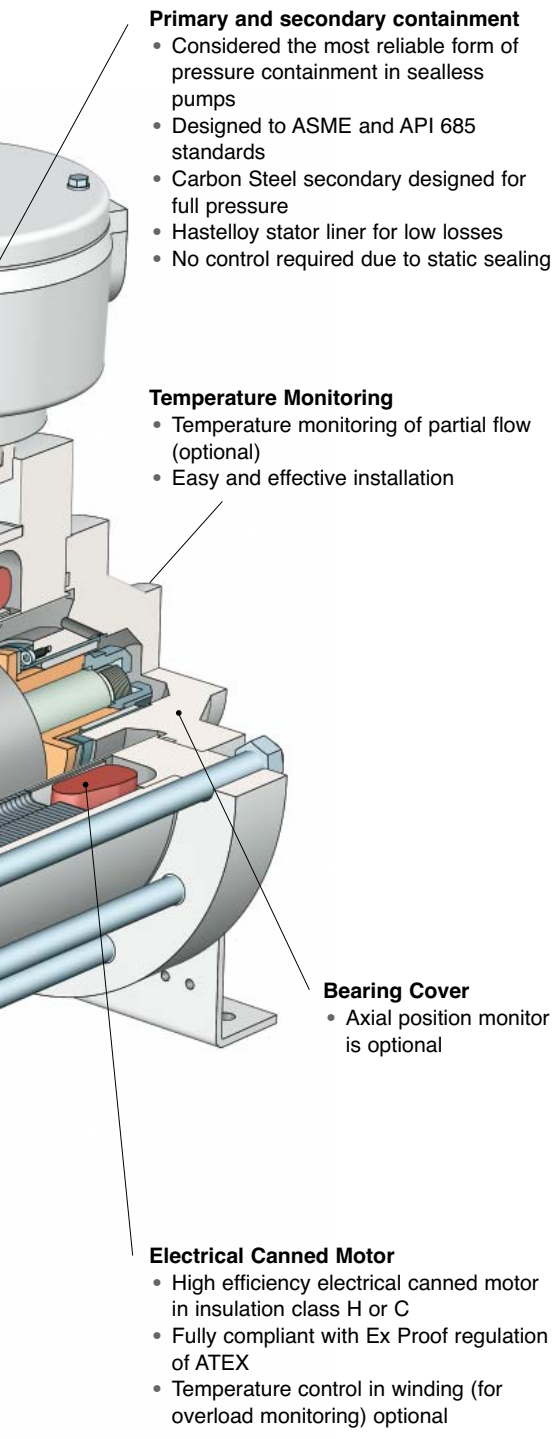
Rotor Unit

- With overhung mounted impeller
- Lowest radial deflection thanks to long bearing distance
- Hydraulically balanced

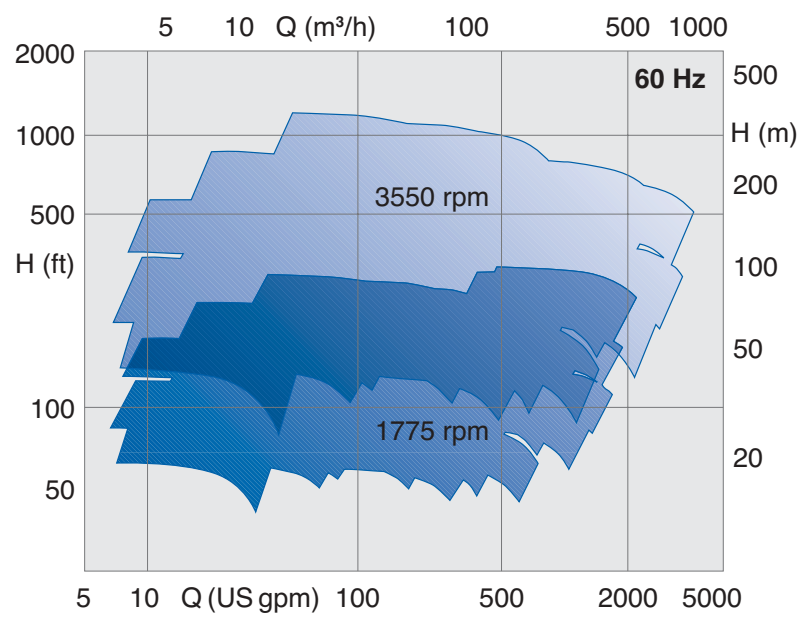
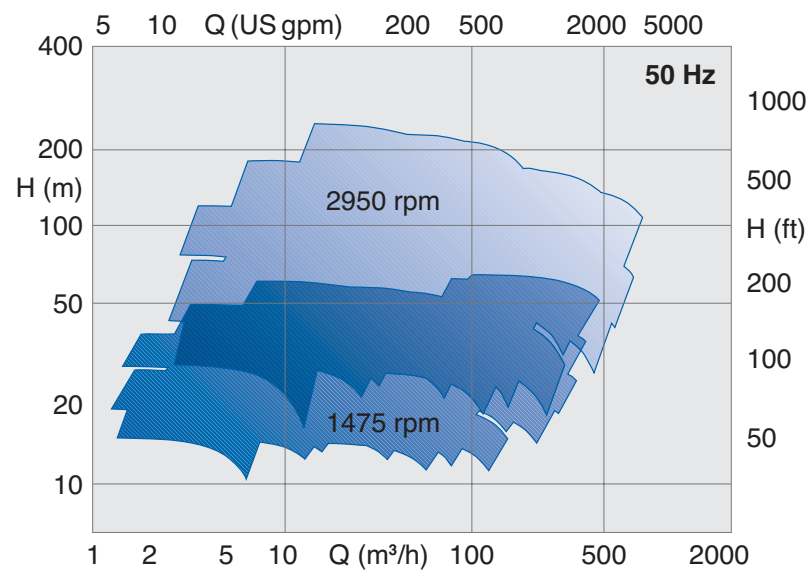
Bearings

- Product lubricated slide bearings
- Tungsten Carbide against Silicon Carbide for lowest wear
- Designed to API 685 requirements





Performance Range



Operating Data

Pump Sizes	25mm to 200mm	1 to 8 inches
Capacities	up to 700 m³/h	up to 3,100 usgpm
Heads	up to 330 m	up to 1,100 feet
Pressures	up to 52 bar	up to 740 psi
Temperatures	up to +425°C	up to +800°F

Sulzer Pumps

Sulzer Pumps Ltd.

Zürcherstr. 12

P.O.Box 414

CH-8401 Winterthur

Switzerland

Tel. +41 52 262 11 55

Fax +41 52 262 00 40

E-mail hpi.pumps@sulzer.com

Internet www.sulzerpumps.com