

AFL2-W21A-H61

Intel® Core™ i7/i5/i3 and Pentium® Processor

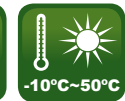


New



Features

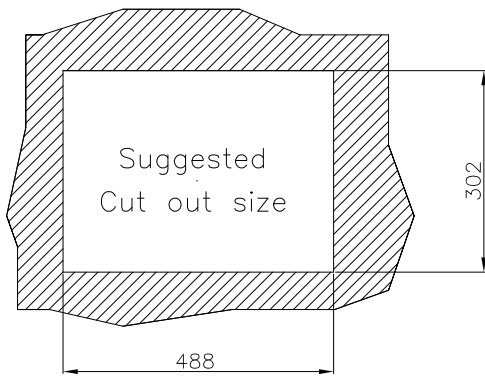
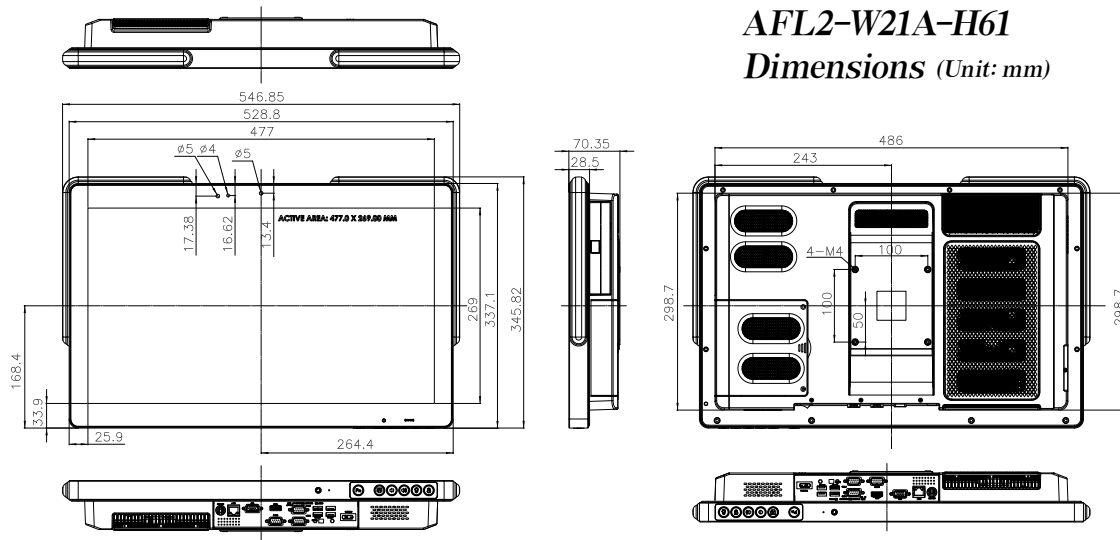
- Programmable colorful LED light bar
- Intel® Core™ i7/i5/i3 and Pentium® processor
- Two 204-pin DDR3 SO-DIMM slot (system max. 16GB) pre-installed with 4GB (2GB x 2)
- Projected capacitive touchscreen supported
- Wi-Fi 802.11b/g/n 2T2R high speed wireless
- EM or Mifare RFID reader
- Built-in 2M pixels webcam with AF, AE and AWB capabilities
- Built-in two 3W speakers and microphone
- IP64 compliant front panel
- Auto dimming control
- Light fanless design
- K-type thermocouple temperature sensor
- Wide range 9~36 VDC input



Specifications

Model		AFL2-W21A-H61	
LCD Specifications	LCD Display	W21.5" (16:9)	
	Max Resolution	1920(W) x 1080(H)	
	Brightness (cd/m2)	250	
	Contrast Ratio	1000 : 1	
	LCD Color	16.7M	
	Pixel Pitch (mm)	0.24825mm x 0.24825mm	
	Viewing Angle (H-V)	170° / 160°	
	Backlight MTBF (Hrs)	30000 (LED backlight)	
Touch	Touch Screen	projected capacitive type with USB interface	
	Touch Controller	EETI EXC7200 & EXC5404	
System	CPU	Intel®Core™ i7/i5/i3 and Pentium® processors	
	Chipset	Intel® H61	
	RAM	Support two 204-pin DDR3 SO-DIMM slot (max. 16GB) preinstalled with 4GB (2GB x 2)	
	Storage	1 x 2.5" SATA 3Gb/s HDD Bay	
	Optical Drive	1 x Slim Type DVD-ROM bay	
	Ethernet	Realtek RTL8111E PCIe GbE controller supporting ASF 2.0	
	Audio Codec	Realtek ALC892 HD audio codec	
	Audio	Amplifier 3W + 3W	
	Webcam & Microphone	Webcam	2M pixel camera with low light function
		Microphone	Digital Microphone
	I/O Ports	DB9	2 x RS232 (DB9 Connector) 1 x RS422/485 COM Port (DB9 connector)
		LAN	2 x GbE LAN (RJ-45 connector)
		USB	3 x USB 2.0 2 x USB 3.0
		HDMI	1 x HDMI
		VGA	1 x VGA port (DB-15 Connector)
		Power	1 x Power switch
		Reset	1 x Reset button
AT/ATX		1 x AT/ATX switch	
CMOS		1 x Clear CMOS button	
K-Type		1 x K-Type	
Expansion Interface	PCIe Mini	1 x PCIe Mini for Wi-Fi Module 1 x PCIe Mini reserved	
	Cooling System	Light Fanless	
	OS Support	EM and Mifare RFID Optional: EM 125 KHz or Mifare 13.56 MHz card reader	
Other Features	LED Light Bar	Programmable R/G/B colorful LED Light bar (SMBus Control)	
	Function Key	6 x function keys: Key1 Backlight On/Off Key2 Audio - Key3 Audio + Key4 Brightness - Key5 Brightness+ Key6 Fn Combinations: Fn+Key1 RFID Enable/Disable Fn+Key2 Audio Mute Fn+Key3 Camera Enable/Disable Fn+Key5 Power ON/OFF	
	Infrared	IR receiver 38KHz	
	Light Sensor	Ambient light sensor for panel brightness adjustment	
	TPM	Reserved by pin-header	
	OS Support	OS Support Windows Embedded Standard 7 Windows XP Embedded, Debian 6.0 Backports	
	Connectivity	Wireless IEEE 802.11b/g/n 2T2R module (WIFI-RT5392-SB-R10) Bluetooth Bluetooth V2.0+EDR with USB interface (optional)	
Physical	Construction Material	PC + ABS plastic for front cover and rear cover	
	Mounting	Wall, Stand and VESA 100 mm x 100mm	
	Enclosure Color	Sliver + Black	
	Dimension (mm)	546.85 (W) x 345.82 (H) x 70.35 (D)	
	Weight (Net/Gross)	8.27 Kg / 11.27 Kg	
Environment	Operating Temperature (with air flow)	-10°C ~ 50°C	
	Storage Temperature	-20°C ~ 60°C	
	Humidity	10% to 90% (non-condensing)	
	IP Level	Front bezel IP 64	
	Safety and EMC	CE & FCC	
Power	Power Adapter	120W power adapter Input: 100 V AC ~ 240 V AC, 50 / 60Hz, Output: 19 V DC	
	Power Input	9 ~ 36V DC-IN	

AFL2-W21A-H61
Dimensions (Unit: mm)



Options

Item	AFL2-W21A-H61
Wall Mounting Kit	AFLWK-19B
Stand	STAND-A21-R10
Slim DVD Burner Installation Kit (Including SATA Cable)	N/A
Hybrid Card Reader (MSI only for AFL2-W21AB series)	AFL2P-21AMSI-U-R10
Magnetic Stripe Reader	AFL2P-21AMSR-U-R10
Bluetooth Module Kit	AFL2-BT-KIT01-R11
Trusted Platform Module (TPM)	TPM-IN01-R11
EM RFID Reader	AFL2-EM-RFID-KIT03-R10
Mifare RFID Reader	AFL2-MF-RFID-KIT04-R10
OS: Windows® XP Embedded (CD-ROM)	AFL2-W21-H61-XPE-R10
OS: Debian Linux (CD-ROM)	AFL2-W21-H61-LNX-R10
OS: Windows® Embedded Standard 7 (DVD-ROM)	AFL2-W21-H61-WES7P-R10
Temperature Sensor Cable	32133-004300-100-RS

Ordering Information

LED Bar	Model	Description
LED Bar	AFL2-W21A-H61-I5/PC-R10	21.5" 250cd/m² FHD panel PC, Core i5 Dual Core 2xxxT CPU (Above 2.7GHz), TDP 35W, 2GB DDR3 RAM*2, 802.11b/g/n wireless module, projected capacitive touchscreen, 2M camera, microphone, R10
	AFL2-W21A-H61-I3/PC-R10	21.5" 250cd/m² FHD panel PC, Core i3 Dual Core 2xxxT CPU (Above 2.5GHz), TDP 35W, 2GB DDR3 RAM*2, 802.11b/g/n wireless module, projected capacitive touchscreen, 2M camera, microphone, R10
	AFL2-W21A-H61-P/PC-R10	21.5" 250cd/m² FHD panel PC, Pentium Dual Core G6xxT CPU (Above 2.2GHz), TDP 35W, 2GB DDR3 RAM*2, 802.11b/g/n wireless module, projected capacitive touchscreen, 2M camera, microphone, R10
Without LED Bar	AFL2-W21AB-H61-I5/PC-R10	21.5" 250cd/m² FHD panel PC, Core i5 Dual Core 2xxxT CPU (Above 2.7GHz), TDP 35W, 2GB DDR3 RAM*2, 802.11b/g/n wireless module, projected capacitive touchscreen, 2M camera, microphone, without LED bar, R10
	AFL2-W21AB-H61-I3/PC-R10	21.5" 250cd/m² FHD panel PC, Core i3 Dual Core 2xxxT CPU (Above 2.5GHz), TDP 35W, 2GB DDR3 RAM*2, 802.11b/g/n wireless module, projected capacitive touchscreen, 2M camera, microphone, without LED bar, R10
	AFL2-W21AB-H61-P/PC-R10	21.5" 250cd/m² FHD panel PC, Pentium Dual Core G6xxT CPU (Above 2.2GHz), TDP 35W, 2GB DDR3 RAM*2, 802.11b/g/n wireless module, projected capacitive touchscreen, 2M camera, microphone, without LED bar, R10

Packing List

Item	P/N	Q'ty	Description
Utility CD		1	drivers and user manual
One Key Recovery CD		1	
Power Adapter	63000-FSP120AAB-RS	1	FSP120-AAB ; 90~264VAC input ; 120W ; 19VAC output
Power Cord	32702-000401-100-RS	1	European, 1500mm
Power Transfer Cord	32000-089400-RS	1	
Infrared Remote Controller	7Z000-SLPCB005-RS	1	
M3 Screw Pack	44013-030041-RS	4	M3 x 4 for securing HDD
M4 Screw Pack	44033-040061-RS	4	M4 x 4 for VESA screw