

Rugged/Fanless Vehicle Box Computer with Intel ATOM Processor



MPC-900 is a powerful vehicle Box computer. With a thermal design patent, it can reach truly 100% fanless. The rugged structure with MIL-STD-810G certified can withstand harsh environment. The smart power management and wide range of 9 to 32V DC can protect the system from power surges while used on vehicles.

Features

- Truly fanless, patent for thermal design
- Anti-Vibration / Anti-Shock system design (MIL-STD-810G)
- Wide temperature design (-10°C~ 60°C)
- On board wide range DC to DC 9~32V DC input
- Dual display VGA1+VGA2 or VGA1+TV
- Smart ignition power on/off, delay-time voltage protection
- Removable/Anti-Vibration HDD design
- Max 120 fps/100 fps rate for 4 channels
- Support 3G/GPS/WiFi functions, SDK for video capture (optional)

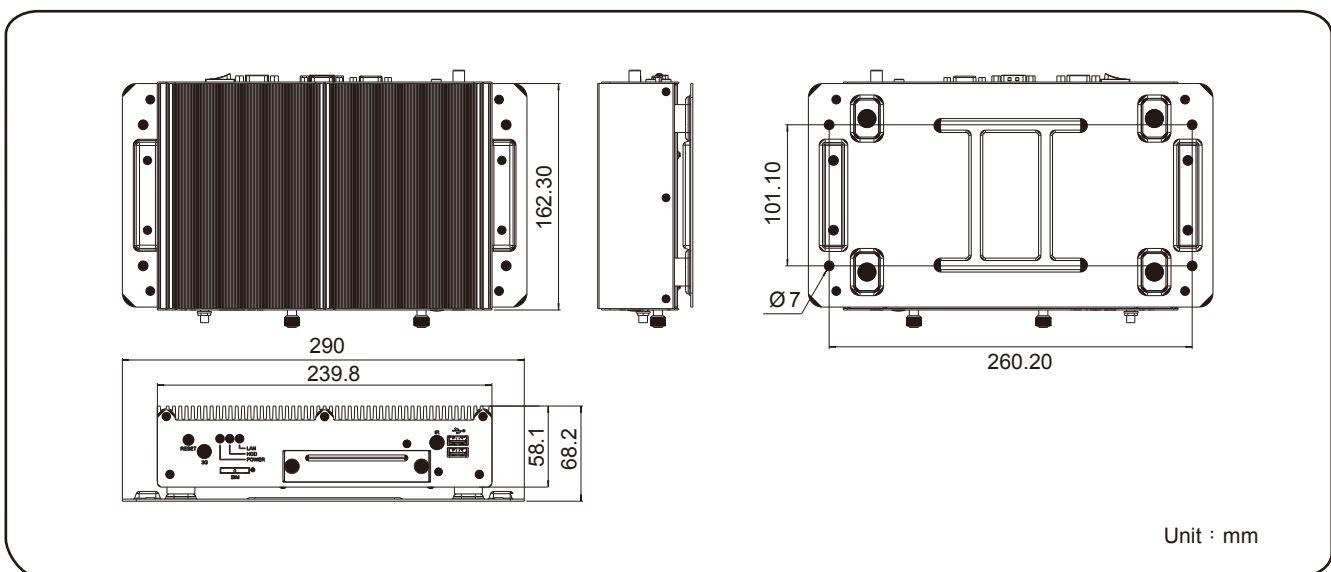
Specifications

System	CPU	Intel® ATOM N270 1.6GHz
	Chipset	Intel® 945GSE + ICH7M
	Memory	1 x 200-pin DDR2 400/533 SO-DIMM max. up to 2GB
	Storage	1 x Anti-Shock 2.5" HDD bracket
	Ethernet	Realtek RTL8111DL Gigabit Ethernet
	Video Decoder	4 x Techwell TW6805
	Compression	MPEG-4 codec
	Resolution	NTSC : 640 x 480, 320 x 240 / PAL : 704 x 576, 352 x 288
	Recording Speed	NTSC : 120 fps (max.) / PAL : 100 fps (max.)
	Operating System	Win XP, SDK for Linux (optional)
I/O Interface	VGA	2 x DB-15 VGA connector supporting up to 1600 x 1200
	TV-Out	1 x TV
	Audio	1 x Line-in, 1 x Line-out, 1 x Mic-in
	Serial	1 x RS-232, 1 x RS-485
	USB	4 x USB 2.0
	Ethernet	1 x RJ45 connector for 10/100/1000 Mbps
	Capture In	1 x DB-15 VGA connector for 4 to 8 channel video decoder input +4 channel audio input
	Isolation DIO	4 Digital in + 4 digital out
	HDD	1 x Removable SATA HDD
	SIM Card	1 x SIM card socket
Internal Expansion Socket and Slot	Antenna	3G / GPS / WiFi antenna (optional)
	CF	1 x Compact Flash socket for type II
	IDE	1 x 22*2 pin IDE 2.0 pitch with power in
	Mini PCIe Socket	1 x Mini PCIe socket
Power	PC/104 Plus Connector	1 x 4*40 pin PC/104 plus connector (optional)
	DC Power Input	1 x Wide range 9~32V DC/DC input (support 12/24V car power system) Support smart power on/off delay

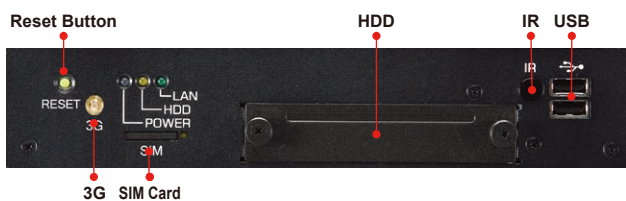
Specifications

Communication	3G	3G mini card kit, EN-770W/J, w/antenna & cable (optional)
	GPS	GPS mini card kit, MR-G035, w/ antenna & cable (optional)
	WiFi	WiFi mini card kit, AW-NE762H 802.11 b/g/n, w/ antenna & cable (optional)
Mechanical	Enclosure	Rugged aluminum alloy chassis
	Dimensions	240(W) x 160(D) x 58(H) mm / Base : 290 x 160 mm
	Weight	4.8 kg
Environment	Temperature	Operating : 0°C ~ 50°C / Storage : -20°C ~ 60°C (with HDD) Operating : -10°C ~ 60°C / Storage : -20°C ~ 70°C (with wide Temp. CF, SSD)
	Humidity	5% ~ 95% RH, non-condensing
	Certifications	FCC, e13(e-mark)
MIL-STD-810G	Shock with HDD (Method 516.6)	40G's @11ms, 3 shock/axis/direction 18 total shocks 75G's @8-13ms (non-operating) 3 shock/axis/direction 18 total shocks
	Vibration-General	General Minimum Integrity Exposure, method 514.6 E-1 (non-operating)
	Vibration-Ground Vehicle	Method 514.6 C-1/C-2/C-3 (operating)
	Vibration-Helicopter	Helicopter Minimum Integrity Exposure, method 514.6 E-2 (non-operating)

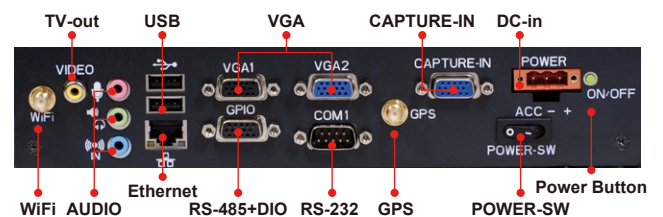
Dimensions



Front I/O Diagram



Rear I/O Diagram



Accessories

HDD	2.5" SATA HDD 5400rpm 160GB
CF	Industrial grade CF card 512MB/1GB
DRAM(WT)	Wide temperature memory module (2GB)

Ordering Information

Part No.	Description
MPC-900	Rugged Vehicle Box Computer w/1GB(WT) RAM

Packing List

Description	Quantity
DB-15 VGA for video/audio decoder input cable	1
GPIO/RS-485 cable	1
Cable management kit	4
DC input terminal block	1
Quick Setup Guide	1
Utility CD	1

