

8" SVGA AFOLUX PPC

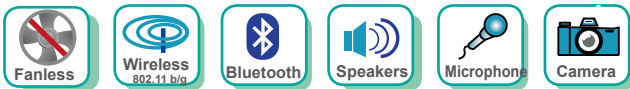
AFL-08B-N270

Intel® Atom™ N270 1.6G Processor

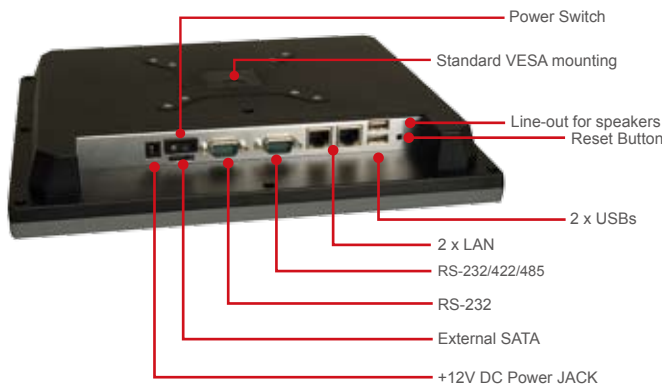


Features

- 8" LED backlight LCD panel with resistive touch screen
- Built-in 300K pixel camera with low light function
- Built-in digital microphone
- Selectable AT/ATX power mode through the switch on the chassis inside
- Fanless cooling system
- System memory up to 2 GB SDRAM
- Built-in 802.11b/g Wireless LAN
- Built-in Bluetooth module
- Built-in two 1.5 W speakers
- One compact flash slot
- IP 64 compliant front panel



Fully Integrated I/O



LED-backlight PPC Delivers Vivid Images

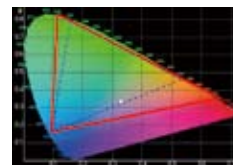
AFL-08B-N270 is the first panel PC of its compact size to incorporate an LED backlight - being better than previous CCFL illumination for the viewing and editing of pictures.

LED backlighting PPC displays clear and vivid pictures!

Enhancement of picture image quality on LCD screen

- Wider color gamut
- More even screen illumination
- Longer display life
- Low temperature operation and greater power efficiency

Color Gamut Comparison



— LED
- - - Normal CCFL

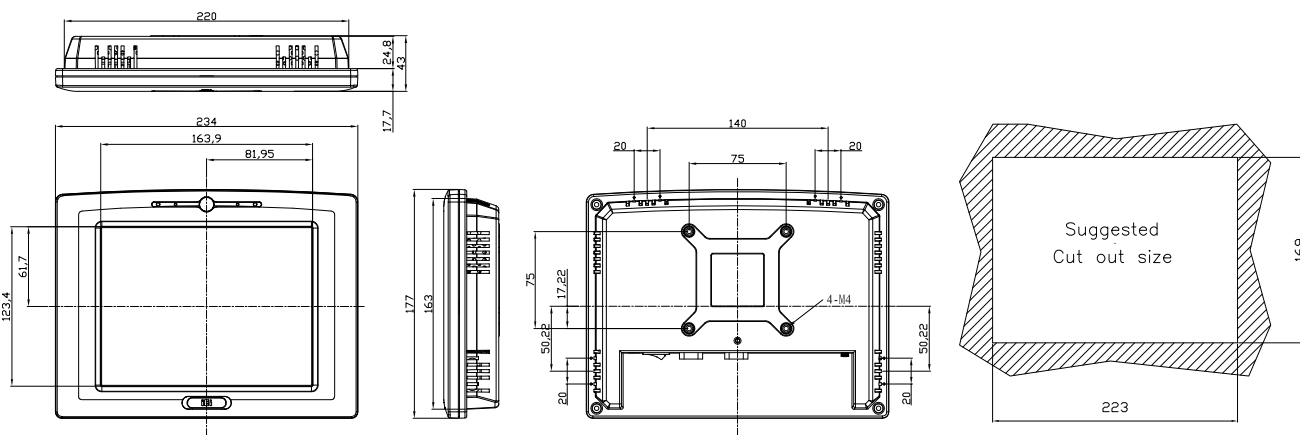
Thus LED backlight for LCD enables seeing the color on LCD screen as we see the colors in nature.

Specifications

Model	AFL-08B-N270-R10
LCD Size	8"
Max Resolution	800 x 600
Brightness (cd/m²)	300
Contrast Ratio	400: 1
LCD Color	262K
Pixel Pitch (mm)	0.0675 (H) x 0.2025 (V)
Viewing Angle (H-V)	130°/120°
Backlight MTBF	30000 hrs (LED backlight)
SBC Model	AFLMB-945GSE-N270-R10
CPU	Intel® Atom™ process N270 1.6GHz CPU
Chipset	Intel® 945GSE + ICH7M
RAM	Supports one 400MHz or 533MHz DDRII SO-DIMM (2GB Max.)
I/O Ports	1 x RS-232 COM Port 1 x RS-232/422/485 COM port 2 x RJ-45 for Giga LAN 2 x USB 2.0 1 x Power Switch 1 x Reset Button 1 x External SATA 1 x Audio Port 1 x Power Jack
SSD	CF Typell
Watchdog Timer	Software programmable supports 1~255 sec. System reset

Audio	AMP 1.5W + 1.5W (internal speaker)
Camera Module	300K pixel with Digital Microphone
Expansion	1 x Wireless Lan 802.11 b/g Module (internal PCIe mini card interface) 1 x Bluetooth Function (internal USB interface, Bluetooth V2.0)
Construction Front Panel	ABS + PC Plastic front frame
LED Function	1 x Power ON/OFF LED on Front Panel
Mounting	Panel, Wall, Rack, Stand and Arm VESA 75mm x 75mm
Front Panel Color	Gray 7539U
Dimension (WxHxD) (mm)	234 x 184 x 42
Operation Temperature (°C)	-10°C ~50°C
Storage Temperature (°C)	-20°C ~60°C
N/G Weight	0.8 Kg
IP Level	Front Frame IP64
Safety & EMC	CE / FCC / CB / CCC
Touch Screen	Resistive Type 4-Wire (Touch controller IC is on board)
Power Adapter	P/N: 63000-FSP0361AD101C-RS 36W Power Adapter Input: 90VAC~264VAC, 50/60Hz Output: 12VDC
Power Requirement	12VDC
Power Consumption	25W

Dimensions (Unit: mm)



ISMM Support Functions

	Voltage	Fan	Smart Fan	Temperature	WDT	Cash Drawer
AFL-08B-N270	V			V	V	

Options

Panel mounting kit	AFLPK-12
Wall mounting kit	AFLWK-12
Rack mounting kit	AFLRK-08
ARM	ARM-11-RS / ARM-31-RS
Stand	STAND-A08 / STAND-100-RS / STAND-150-RS
VSTAND	VSTAND-A10
9-30VDC to 12VDC converter module	IDD-930160-KIT
OS: Win CE 6.0 (128 MB CF card)	AFLCF-08-N270-CE060-R10
OS: Win XPE(1 GB CF card)	AFLCF-08-N270-XPE-R10
OS: LINUX(2 GB CF card)	AFLCF-08-N270-LNX-R10
Hybrid Card Reader	AFLP-08BMSI-U
Magnetic Stripe Reader	AFLP-08BMSR-U
DC 12V Input UPS	AUPS-A10-R10 (7.4V 3800mAH)
DC 9-36V Input UPS	AUPS-A20-R10 (7.4V 3800mAH)

Note: Win CE application without digital microphone function

Ordering Information

Part Number	Description
AFL-08B-N270/WT-R/1GB-R10	8" 300 cd/m ² , SVGA fanless panel PC with Intel® Atom™ N270 1.6GHz, 802.11b/g wireless module, bluetooth module, touch screen, 300K pixel Camera with Digital Microphone, 1GB DDR2 533MHz, RoHS

Note: WiFi 802.11 draft N is upgradable.
Note: Optional 1.3MP Camera with Digital Microphone Module

Packing List

Item	Part Number	Q'ty	Specification
Screws Pack	44013-030041-RS	4	M3;5mm
Power Adpater	63000-FSP0361AD101C-RS	1	90~264V AC; 12V DC; 36W
Power Cord	32000-000002-RS	1	1750mm (EU or US, Which type of cord is shipped depends on the shipment country)
Utilities CD	7B000-000087-RS	1	
Touch Pen	XTR104-0002-RS	1	

Application

8" Supermarket Use Advertising Player

Used as information machine or an advertisement display screen in supermarket, chain stores, drugstore, subway station, hotel, lift, boardroom, classroom and public areas or aboard various forms of transportation, like taxi, bus, train etc.



- 8 inch 300 nits high brightness TFT LCD screen for clear viewing
- Plastic cabinet streamline design, with build-in speaker and line-out specifically design for public applications
- Real time news update by wireless or wired LAN

1

Automation

2

Point of Service

3

Digital Signage

4

RISC-based Solutions

5

Medical Solutions