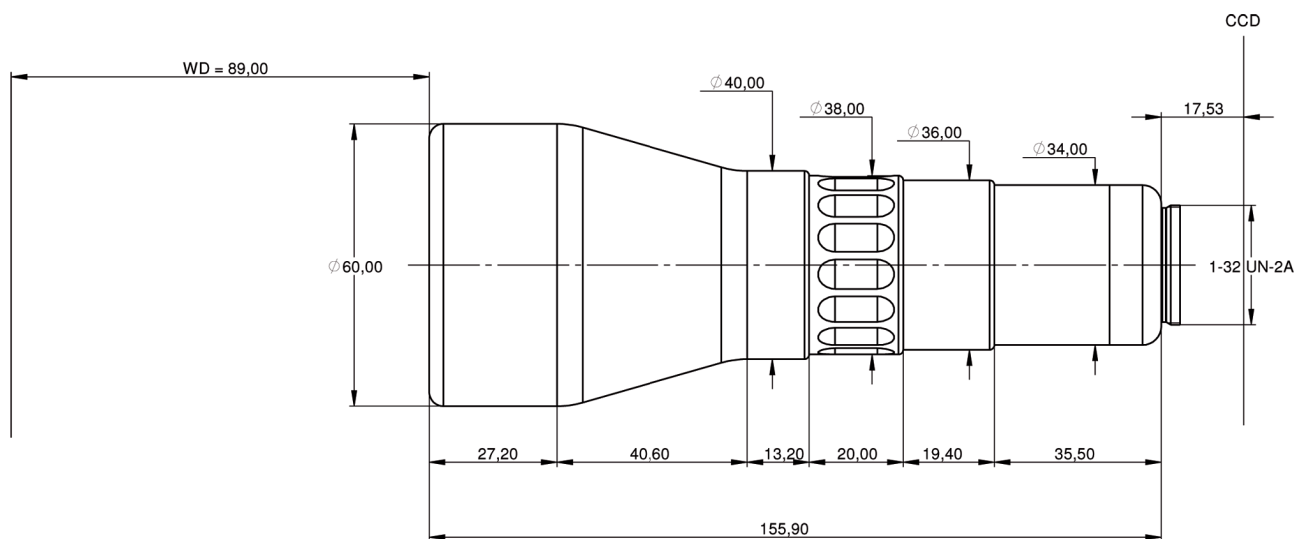


DATA SHEET

S5LPJ3599

Correctal® TLC50/0.2
telecentric lens
with c-mount



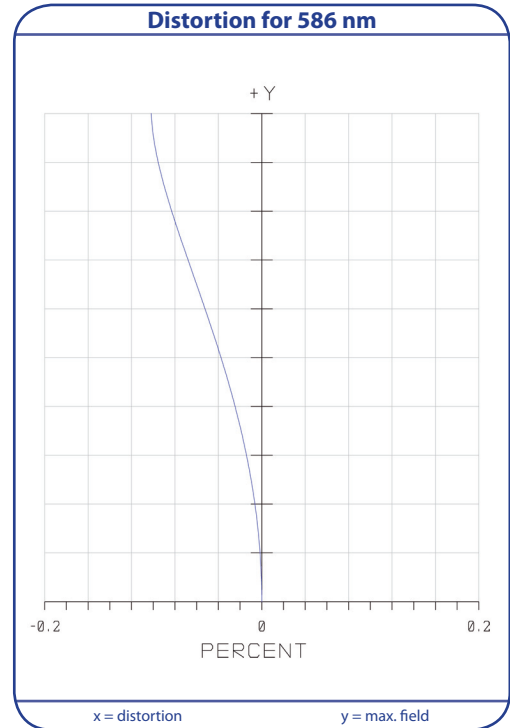
outline drawing

other adapter on special request

S5LPJ3599

Correctal® TLC50/0.2 telecentric lens with c-mount

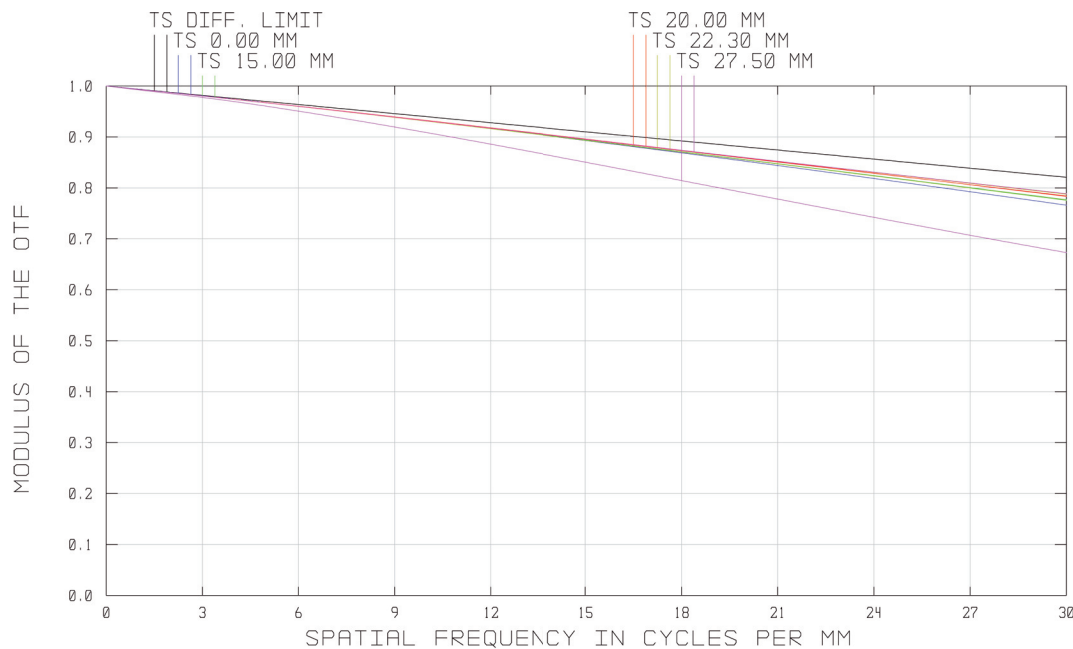
Specifications	
part number	S5LPJ3599
magnification (+/-5%)	0.2
working distance [mm] (+/-2%)	89.0
max. object size [mm]	24.0 x 18.0
at a chip size of [mm]	4.8 x 3.6 (1/3")
distorsion [%]	0.05
max. object size [mm]	32.0 x 24.0
at a chip size of [mm]	6.4 x 4.8 (1/2")
distorsion [%]	0.09
max. object size [mm]	36.0 x 26.5
at a chip size of [mm]	7.2 x 5.3 (1/1.8")
distorsion [%]	0.1
max. object size [mm]	44.0 x 33.0
at a chip size of [mm]	8.8 x 6.6 (2/3")
distorsion [%]	0.15
numerical aperture	0.012
max. outside-Ø [mm]	60.0
length [mm] (+/-2%)	155.9
weight [kg]	0.4



T.. Tangential

MTF for various object heights

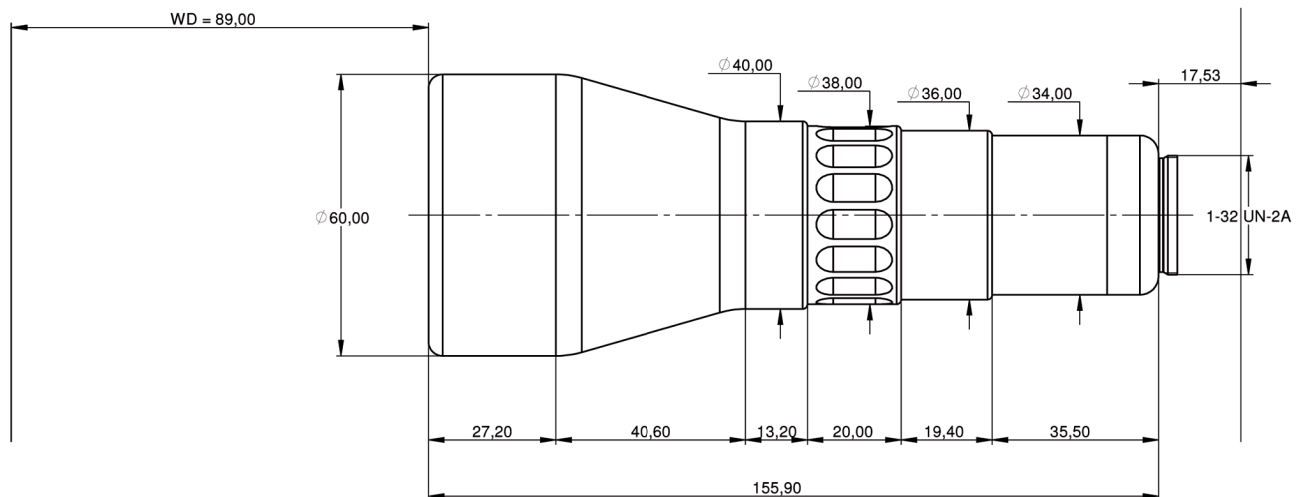
S.. Sagittal



DATA SHEET

S5LPJ3299

Correotal® TLC50/0.5
telecentric lens
with c-mount



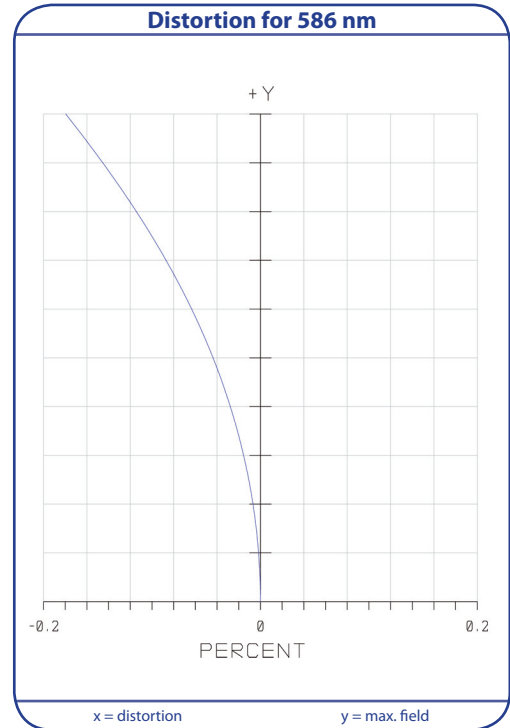
outline drawing

other adapter on special request

S5LPJ3299

Correctal® TLC50/0.5 telecentric lens with c-mount

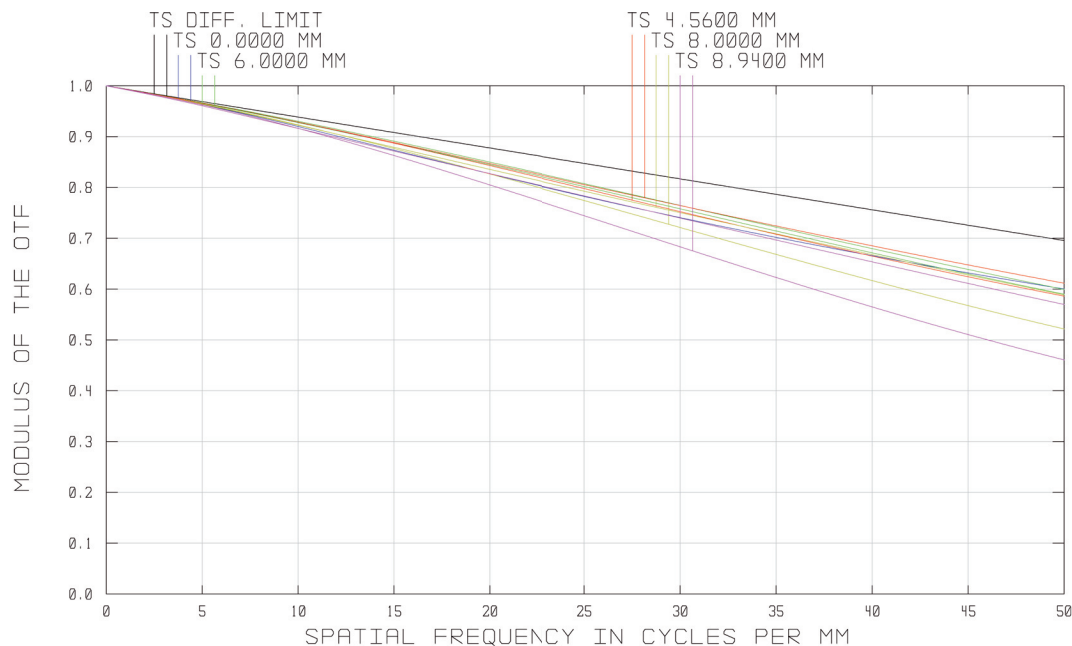
Specifications	
part number	S5LPJ3299
magnification (+/-5%)	0.5
working distance [mm] (+/-2%)	89.0
max. object size [mm]	7.2 x 5.6
at a chip size of [mm]	3.6 x 2.8 (1/4")
distorsion [%]	0.05
max. object size [mm]	9.6 x 7.2
at a chip size of [mm]	4.8 x 3.6 (1/3")
distorsion [%]	0.1
max. object size [mm]	12.8 x 9.6
at a chip size of [mm]	6.4 x 4.8 (1/2")
distorsion [%]	0.17
max. object size [mm]	14.4 x 10.6
at a chip size of [mm]	7.2 x 5.3 (1/1.8")
distorsion [%]	0.2
numerical aperture	0.03
max. outside-Ø [mm]	60.0
length [mm] (+/-2%)	155.9
weight [kg]	0.4



T.. Tangential

MTF for various object heights

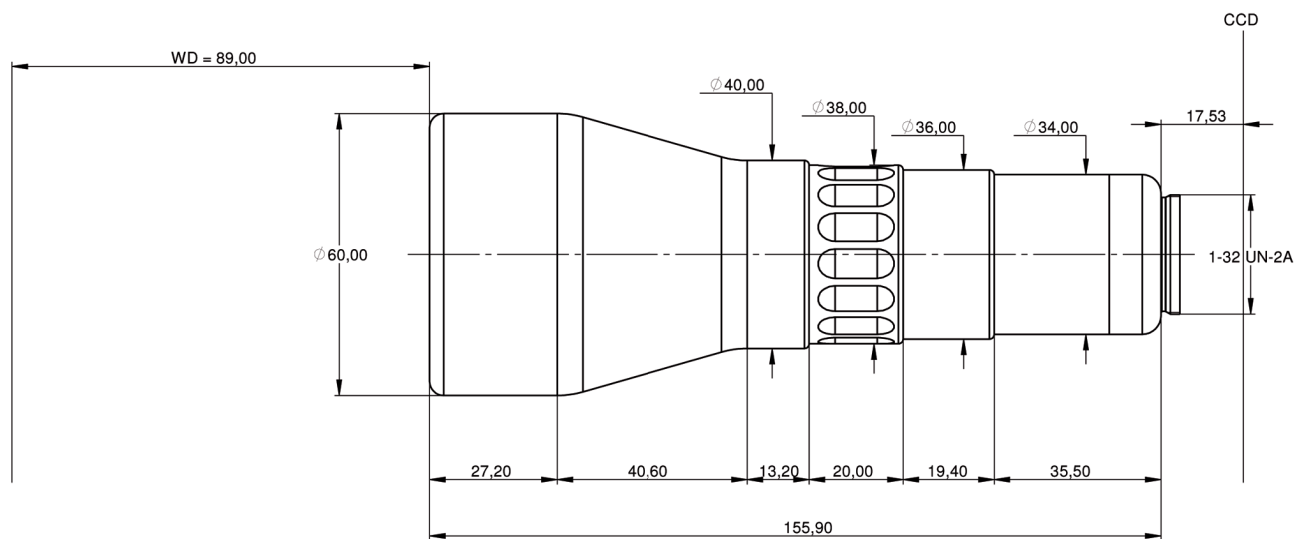
S.. Sagittal



DATA SHEET

S5LPJ3399

Correclal® TLC50/0.33
telecentric lens
with c-mount



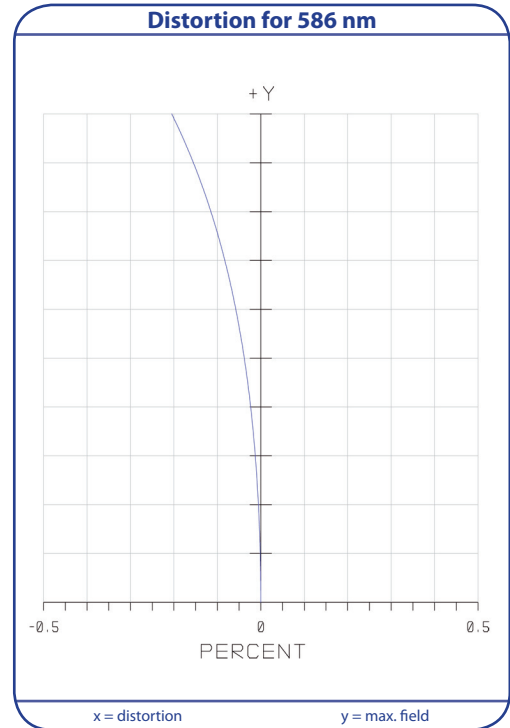
outline drawing

other adapter on special request

S5LPJ3399

Correctal® TLC50/0.33 telecentric lens with c-mount

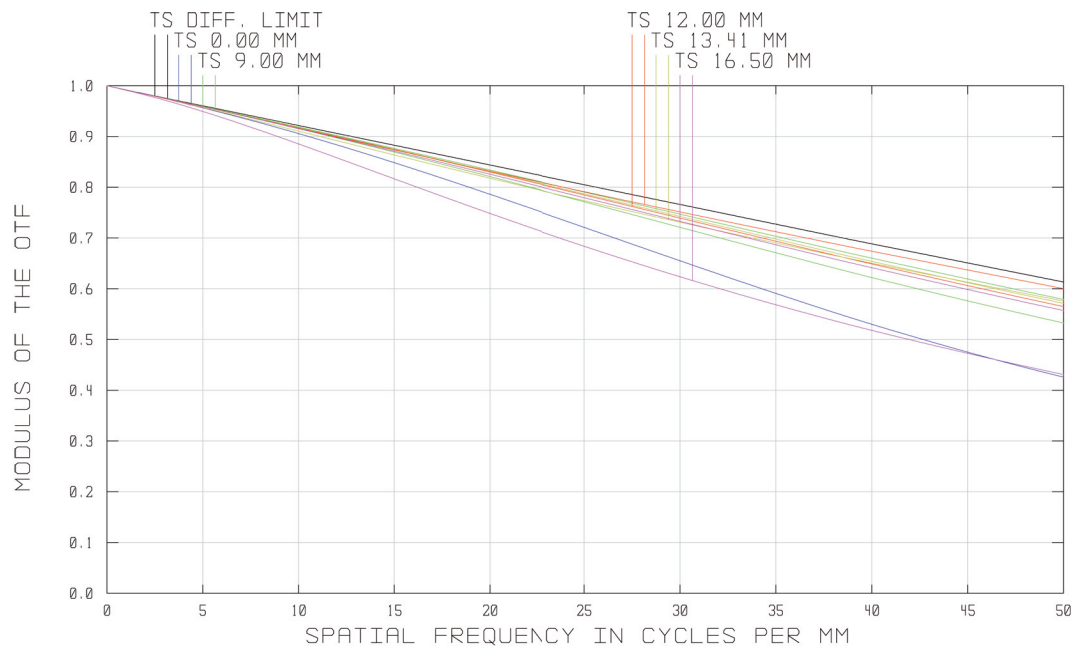
Specifications	
part number	S5LPJ3399
magnification (+/-5%)	0.33
working distance [mm] (+/-2%)	89.0
max. object size [mm] at a chip size of [mm] distorsion [%]	14.4 x 10.8 4.8 x 3.6 (1/3") 0.05
max. object size [mm] at a chip size of [mm] distorsion [%]	19.2 x 14.4 6.4 x 4.8 (1/2") 0.1
max. object size [mm] at a chip size of [mm] distorsion [%]	21.6 x 15.9 7.2 x 5.3 (1/1.8") 0.15
max. object size [mm] at a chip size of [mm] distorsion [%]	26.4 x 19.8 8.8 x 6.6 (2/3") 0.25
numerical aperture	0.016
max. outside-Ø [mm]	60.0
length [mm] (+/-2%)	155.9
weight [kg]	0.4



T.. Tangential

MTF for various object heights

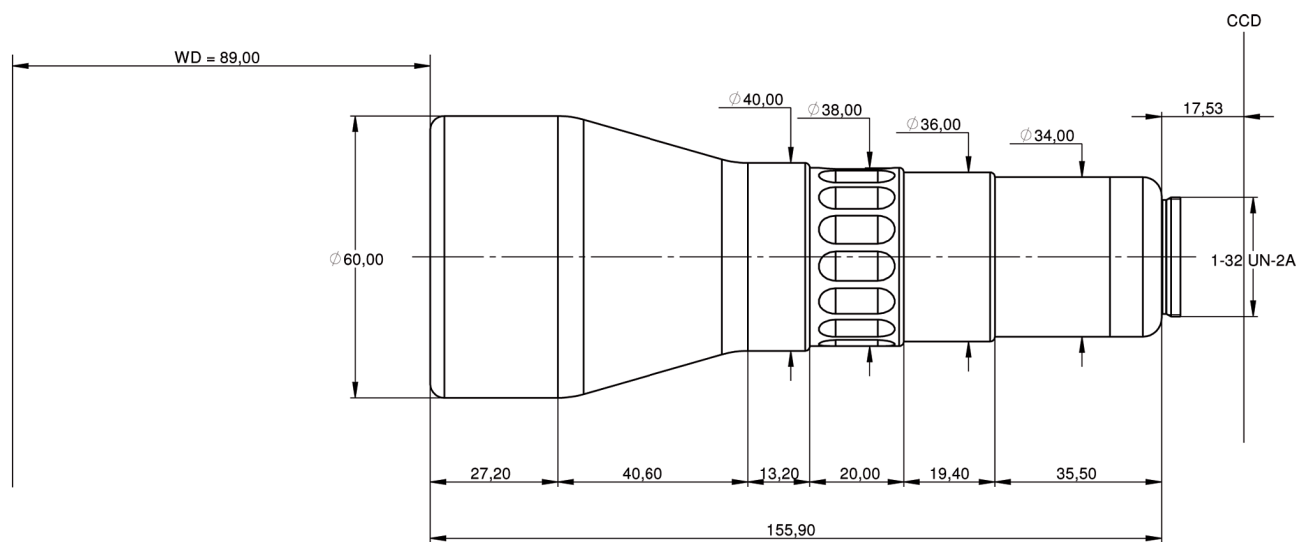
S.. Sagittal



DATA SHEET

S5LPJ3499

Correclal® TLC50/0.25
telecentric lens
with c-mount



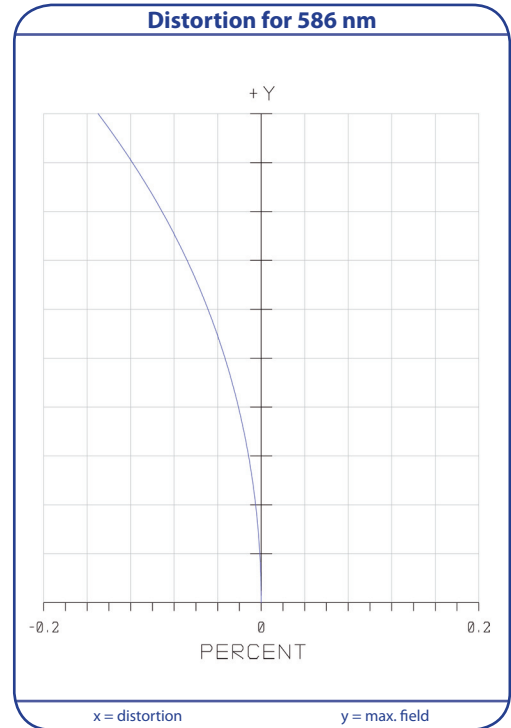
outline drawing

other adapter on special request

S5LPJ3499

Correctal® TLC50/0.25 telecentric lens with c-mount

Specifications	
part number	S5LPJ3499
magnification (+/-5%)	0.25
working distance [mm] (+/-2%)	89.0
max. object size [mm] at a chip size of [mm] distorsion [%]	19.2 x 14.4 4.8 x 3.6 (1/3") 0.05
max. object size [mm] at a chip size of [mm] distorsion [%]	25.6 x 19.2 6.4 x 4.8 (1/2") 0.11
max. object size [mm] at a chip size of [mm] distorsion [%]	28.8 x 21.2 7.2 x 5.3 (1/1.8") 0.12
max. object size [mm] at a chip size of [mm] distorsion [%]	35.2 x 26.4 8.8 x 6.6 (2/3") 0.2
numerical aperture	0.014
max. outside-Ø [mm]	60.0
length [mm] (+/-2%)	155.9
weight [kg]	0.4



T.. Tangential

MTF for various object heights

S.. Sagittal

