

# Megapixel Series



*Vari-Focal Lens*

*Zoom Lens*

*Fish-Eye Lens*

# MP





## Identification 24/7

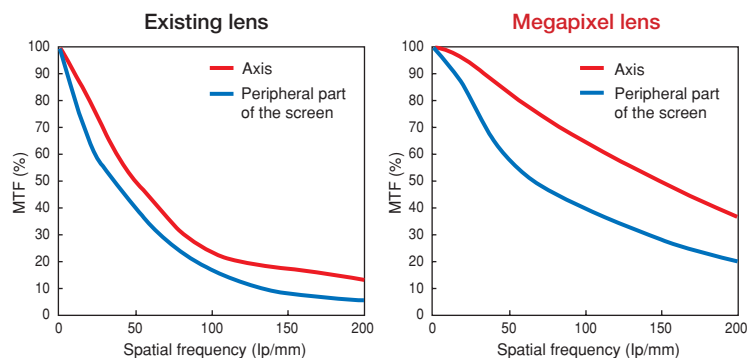
# FUJINON CCTV Lens Megapixel Series

With the development of industries and social infrastructure becoming increasingly sophisticated, demand for a high pixel monitoring camera system has grown. To fully exercise the performance of system devices that have been sophisticated and complicated, the performance of "Lens", which is the entrance for image information, must be upgraded at the start.

FUJINON has completed development of megapixel lens series for security use that have high resolving power even in the peripheral part of the lens.

Based on the performance, use, and installation site of a camera, 3 megapixels type, 1.3 megapixels type, and 5 megapixels type are available.

### Difference between existing and Megapixel lens



The biggest difference between megapixel and existing lens is the frequency characteristics of MTF in high-frequency area. The same applies not only to the center of the lens but also to peripheral part, which enables the lens to take high resolution images across the screen.

### 3 Megapixels Vari-Focal



YV2.7×2.2SA-SA2



YV2.8×2.8SA-SA2



YV4.3×2.8SA-SA2



YV3.3×15SA-SA2



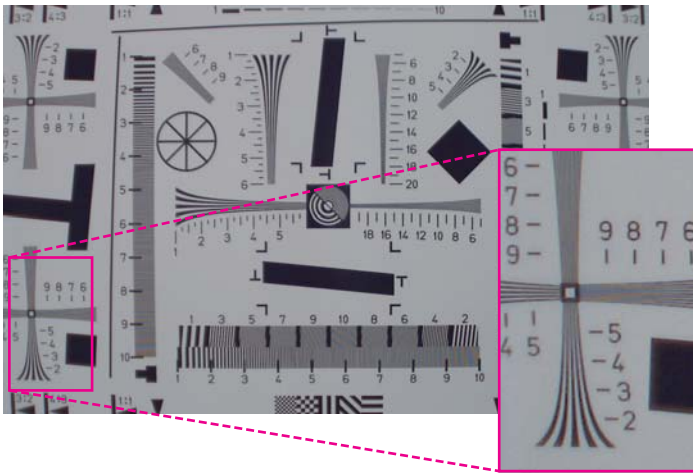
DV3.4×3.8SA-SA1

		YV2.7×2.2SA-SA2	YV2.8×2.8SA-SA2	YV4.3×2.8SA-SA2	YV3.3×15SA-SA2	DV3.4×3.8SA-SA1
Image Size		1/3"~1/4"	1/3"~1/4"	1/3"~1/4"	1/3"~1/4"	1/2"~1/4"
Focal Length (mm)		2.2~6 (2.7×)	2.8~8 (2.8×)	2.8~12 (4.3×)	15~50 (3.3×)	3.8~13 (3.4×)
Iris Range		F1.3~T360 (Equivalent to F360)	F1.2~T360 (Equivalent to F360)	F1.4~T360 (Equivalent to F360)	F1.5~T360 (Equivalent to F360)	F1.4~T360·C
Angle of View (mm)	WIDE	120°00'×91°36'	100°00'×73°45'	100°02'×74°03'	18°08'×13°34'	97°34'×71°47'
	TELE	46°26'×34°59'	35°03'×26°18'	23°21'×17°36'	5°34'×4°12'	28°23'×21°18'
Operation	Zoom / Focus	Manual	Manual	Manual	Manual	Manual
	Iris	Auto (DCType)	Auto (DCType)	Auto (DCType)	Auto (DCType)	Auto (DCType)
Mount (Metal)		CS	CS	CS	CS	C
Mass (g)		55	50	60	60	80
Remarks		<ul style="list-style-type: none"> <li>Manual Iris Model (YV2.7×2.2SA-2)</li> <li>Long Cable Type Model (230mm) (YV2.7×2.2SA-SA2L)</li> </ul>	<ul style="list-style-type: none"> <li>Manual Iris Model (YV2.8×2.8SA-2)</li> <li>Long Cable Type Model (230mm) (YV2.8×2.8SA-SA2L)</li> </ul>	<ul style="list-style-type: none"> <li>Manual Iris Model (YV4.3×2.8SA-2)</li> <li>Long Cable Type Model (230mm) (YV4.3×2.8SA-SA2L)</li> </ul>	<ul style="list-style-type: none"> <li>Manual Iris Model (YV3.3×15SA-2)</li> <li>Long Cable Type Model (230mm) (YV3.3×15SA-SA2L)</li> </ul>	<ul style="list-style-type: none"> <li>Manual Iris Model (DV3.4×3.8SA-1)</li> <li>Long Cable Type Model (230mm) (DV3.4×3.8SA-SA1L)</li> </ul>

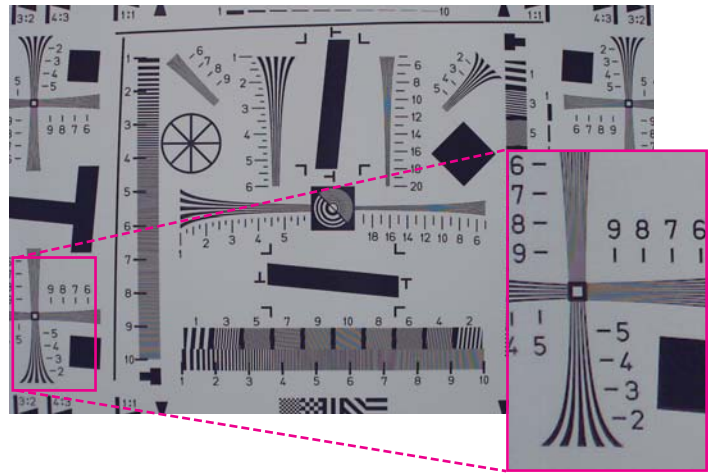
\*Photograph is a similar model.

## Comparison between existing lens and 3 megapixels lens

Existing lens



3 megapixels vari-focal lens



With use of aspherical lenses and low-dispersion glass with a high reflective index, Fujinon has achieved high optical performance through its unique precision work and assembly technologies.

## Comparison in the actual image



Existing lens



3 megapixels vari-focal lens

Images in live actual security sites.

If you take an image with megapixel system, details of the screen at the peripheral of the image can be recognized as well, not to mention the center of the screen.

### **DN** FUJINON "Megapixel Day and Night Lens"

YV3.3X15HR4A-SA2 / YV10X5HR4A-SA2 / D32X10HR4D-YE1

A day night camera uses near-infrared light range in the night mode, and therefore the image does not come into focus in normal lens. FUJINON's day and night lens uses a special optical glass that has allowed to reduce axial chromatic aberration to the maximum with the high design technology. By correcting from visible light to near-infrared light ranges with the lens itself, out of focus matter has become no problem in the actual use. With this improvement, 24 hours continuous monitoring with megapixel high image quality is now possible.

### **Fish-Eye** FUJINON "Fish-Eye Lens"

FE185C046HA-1/FE185C057HA-1/  
FE185C086HA-1

This is a super-wide angle 185 degrees field of view lens that can be used with a 5 million pixel CCD camera for the first time in the world. This is a  $\theta$  system lens having 5 megapixels resolution in the all area of the screen.

## 1.3 Megapixels Vari-Focal

## 1.3 Megapixels Zoom

## 5 Megapixels Fish-Eye



**DN**  
YV3.3X15HR4A-SA2



**DN**  
YV10X5HR4A-SA2



D8X7.8HA-YE2



**DN**  
D32X10HR4D-YE1



**Fish-Eye**  
FE185C046HA-1



**Fish-Eye**  
FE185C057HA-1



**Fish-Eye**  
FE185C086HA-1

1/3"~1/4"	1/3"~1/4"	1/2"~1/4"	1/2"~1/4"	1/2"~1/4"	2/3"~1/3"	1"~1/2"
15~50 (3.3X)	5~50 (10X)	7.8~63 (8X)	10~320 (32X)	1.4	1.8	2.7
F1.5~T360 (Equivalent to F360)	F1.6~T360 (Equivalent to F360)	F1.2~T400 (Equivalent to F400)	F2.5~T1500 (Equivalent to F1500)	F1.4~F16	F1.4~F16	F1.8~F16
1/3" 18°29'×13°45' 5°29'×4°09'	1/3" 51°17'×39°36' 5°30'×4°07'	1/2" 44°37'×34°12' 5°49'×4°22'	1/2" 35°29'×26°59' 1°09'×0°52'	1/2" 185°×185° (φ4.6mm)	2/3" 185°×185° (φ5.7mm)	1" 185°×185° (φ8.6mm)
Manual Auto (DCType)	Manual Auto (DCType)	Motor Drive Auto (DCType)	Motor Drive Auto (DCType)	Fixed Manual	Fixed Manual	Fixed Manual
CS	CS	CS	C	C	C	C
50	85	400	2.5kg	140	135	160
	• Manual Iris Model (YV10X5HR4A-2) • Long Cable Type Model (230mm) (YV10X5HR4A-SA2L)	• Video Auto Iris / Remote Iris Model (D8X7.8HA-V42) • Without Pre-set Model (D8X7.8HA-SE2)	• Video Auto Iris Model (D32X10HR4D-V41)			

\*Photograph is a similar model.

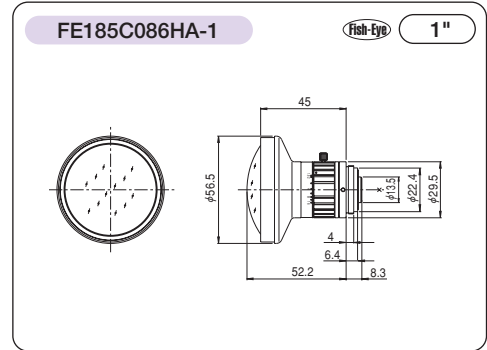
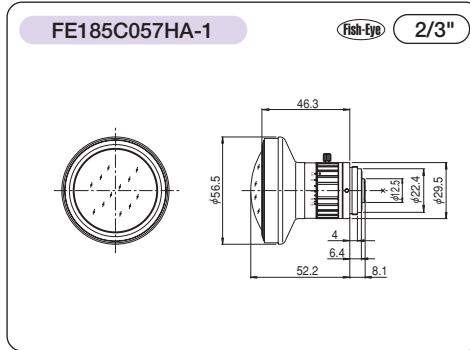
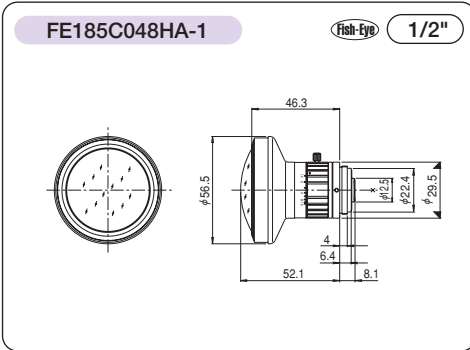
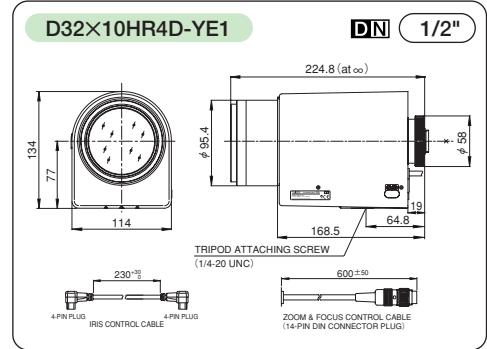
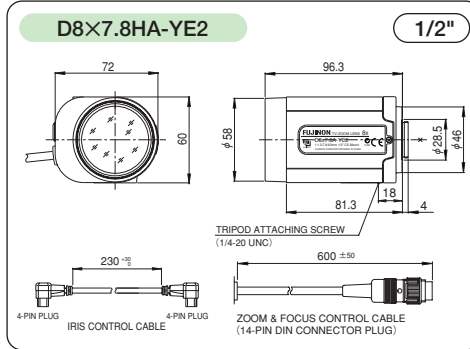
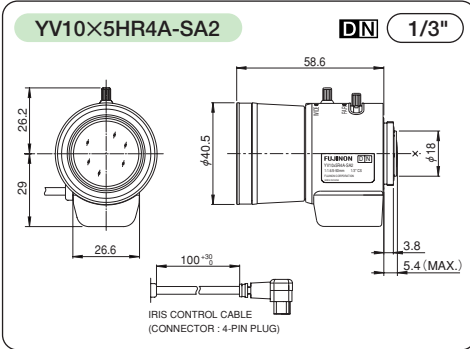
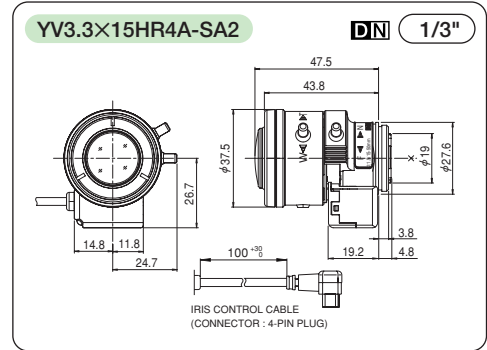
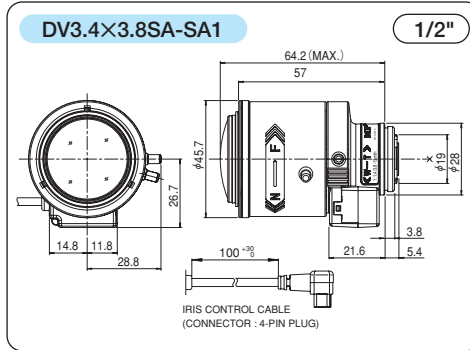
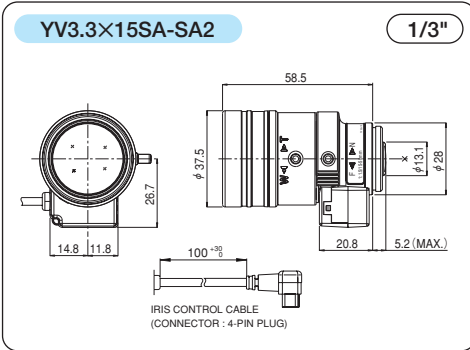
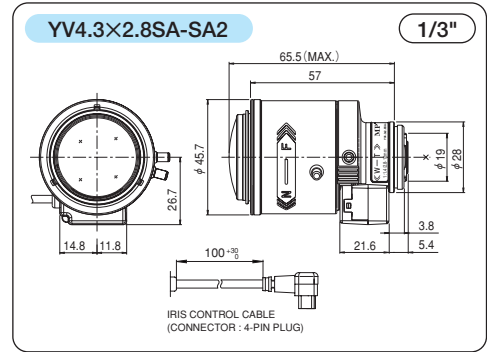
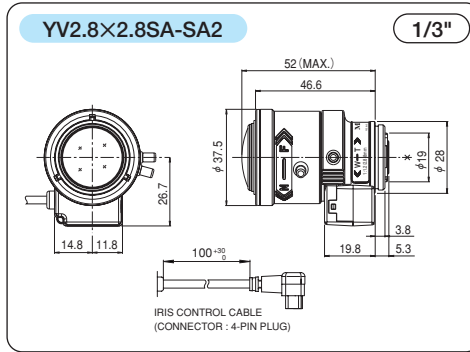
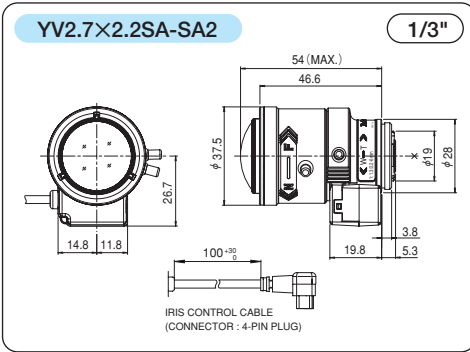
\*Photograph is a similar model.

\*Photograph is a similar model.

\*Photograph is a similar model.

# Outline view

(Unit:mm)



Due to a continuous process of product improvement, design and specifications are subject to change without notice.

**⚠ For your safety**  
Be certain to read the instructions for use before using any equipment.

**FUJINON** <http://www.fujinonctv.com>  
FUJIFILM

**Japan / Northeast Asia**  
**FUJINON Corporation**  
1-324 Uetake,Kita-ku,Saitama City,  
Saitama 331-9624,Japan  
TEL.+81-48-668-2152 FAX.+81-48-651-8517  
E-mail: sales@msv.fujinon.co.jp  
URL <http://www.fujinon.co.jp/>

**North & South America**  
**FUJINON INC.**  
10 High Point Drive, Wayne,  
NJ 07470-7434, U.S.A.  
TEL.+1-973-633-5600 FAX.+1-973-633-5216  
E-mail: lens.sales@fujinon.com  
URL <http://www.fujinon.com/>

**Europe / Africa / Middle East**  
**FUJINON (EUROPE) GmbH**  
Halskestrasse 4, 47877 Willich,  
Germany  
TEL.+49-2154-924-0 FAX.+49-2154-924-290  
E-mail: fujinon@fujinon.de  
URL <http://www.fujinon.de/>

**Southeast Asia / West Asia**  
**FUJINON SINGAPORE PTE. LTD.**  
BLK211 Henderson Road, #10-04,  
Henderson Industrial Park, Singapore 159552  
TEL.+65-6276-4988 FAX.+65-6276-6911  
E-mail: fujinon@fujinon.com.sg  
URL <http://www.fujinon.com.sg/>

**China**  
**FUJINON HONG KONG LTD.**  
Unit 2605-2607, Level 26, Metroplaza,  
Tower 1, 223 Hing Fong Road,  
Kwai Fong N.T., Hong Kong  
TEL.+852-2311-1228 FAX.+852-2724-1118  
E-mail: enquiry@fujinon.com.hk  
URL <http://www.fujinon.com.cn/>

**Beijing Office**  
TEL.+86-10-6515-5741 FAX.+86-10-6515-5743  
E-mail: enquiry@fujinon.com.cn

**Oceania**  
**FUJINON AUSTRALIA PTY. LTD.**  
Unit-18, 52 Holker Street, Silverwater,  
N.S.W. 2128, Australia  
TEL.+61-2-9748-2744 FAX.+61-2-9748-2428  
E-mail: sales@fujinon.com.au

GVE-066-00 Printed in Japan 08.12 BR.4000