



# AFOLUX All-in-One In-wall Panel PC

8"~15" Fanless Panel PC with Changeable Faceplate and Sticker Skin

Changeable Faceplate  
Sticker Skin

Removable  
Faceplate

Easy In-Wall  
Mounting

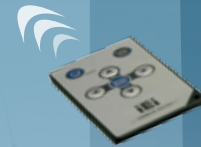


## Fanless

An on-board 1.6GHz Intel® Atom™ N270 CPU ensures low power requirements. Metal casting design housing replaces the fan as it helps the dissipate heat.

## Changeable Faceplate/Sticker Skin

Multiple faceplate/skin sticker available to match diverse decoration styles



## Easy In-wall in minutes

In-wall mounting just three simple steps: cut-out the panel , screw on and put on the faceplate

## VESA Mounting Compliant

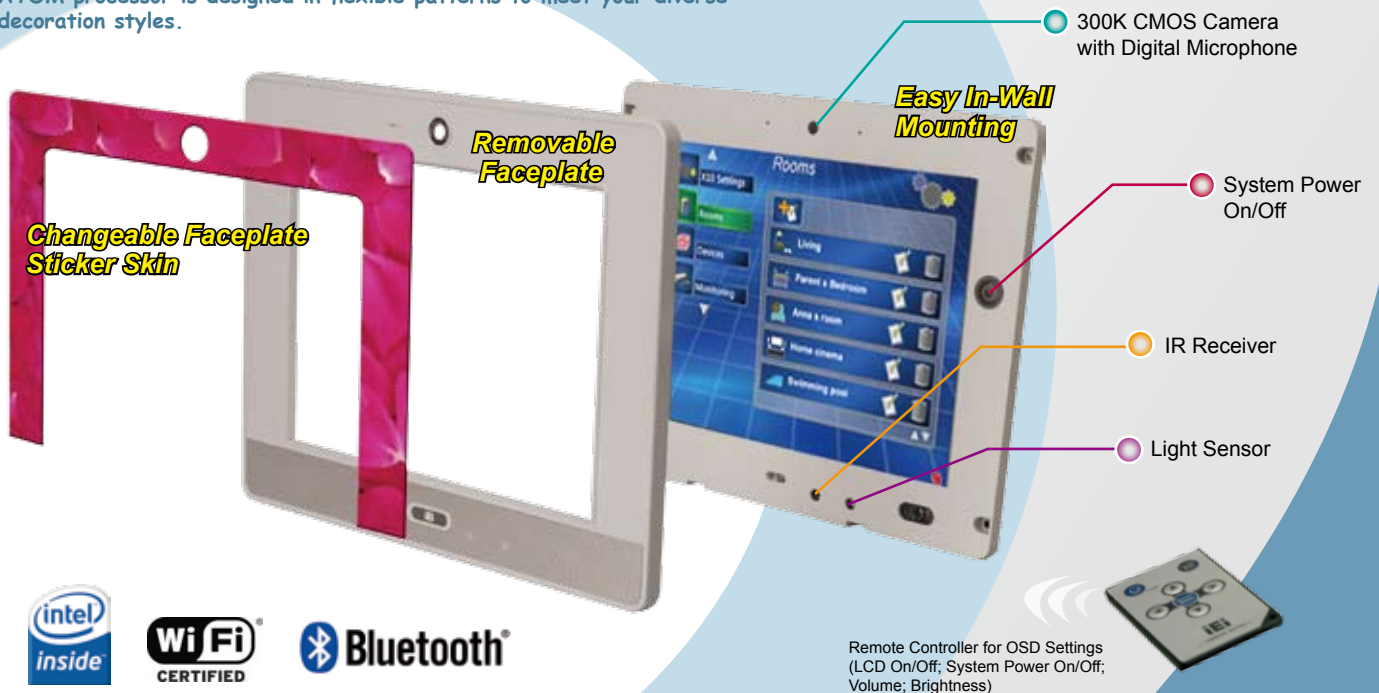
One Matches Diverse Decoration Styles!



www.ieiworld.com

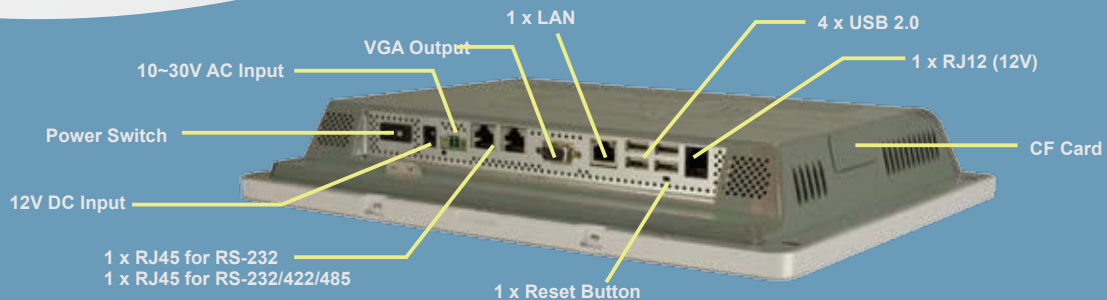
# 8"~15" All-in-One In Wall Touch Panel PC based on Intel® Atom™ Processor

The panelss AFL-4xxA series with streamlined design based on Intel's ATOM processor is designed in flexible patterns to meet your diverse decoration styles.



## Features

- 8" ~ 15" TFT LCD with resistive touch screen.
- Fanless system with Intel ATOM process N270 1.6GHz CPU
- Changeable faceplate and sticker skin
- In-wall mechanism design allows easy to installation in minutes
- A digital I/O RJ-12 12V port provides extension
- Build-in CMOS camera with digital microphone and two 1.5W speakers for multimedia applications
- Enabling easier access to the internet through a HSDPA network (Optional)
- Built-in bluetooth technology rids systems of cables and allows wireless connection to peripheral devices like head phones, keyboard and mouse
- VESA-mountable for flexibility in mounting and deployment
- Ambient light sensor detects ambient light for automated screen adjustments to optimize viewing.
- IP64 front panel compliant



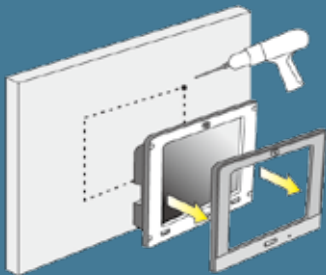
In the entry hall, kitchen, living room with changeable face plate...Changeful faceplate/skin sticker suitable for various in-wall environments.



## • Easy In-wall in Minutes

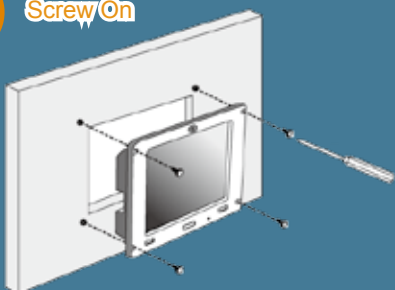
AFL-4xxA series was not only increases flexibility of versatile patterns of the faceplate, but also ease of installation.

### A Cut Out the Panel



Select the position on the panel to mount the flat panel PC. Cut out a section from the panel that corresponds to the rear panel dimensions.

### B Screw On

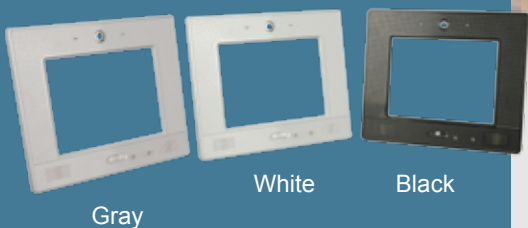


Tighten the screws that pass through the panel mounting holes until the screws are firmly secured to the panel.

### C Put on the Faceplate

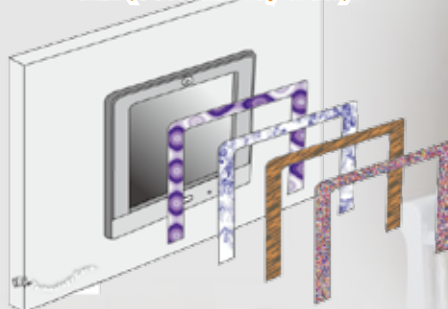


Changeable Faceplate in Gray/  
White/Black Color

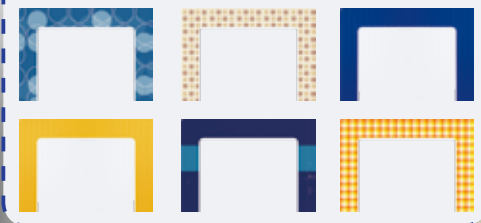


## Versatile Faceplate Sticker Sin Patterns Enhance your Design Style!

### D Changeable faceplate sticker skin (Customize by order)



#### • Stylish



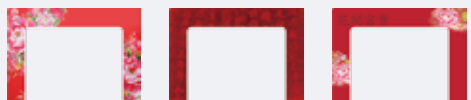
#### • Photo Frame



#### • Wooden



#### • Traditional Chinese



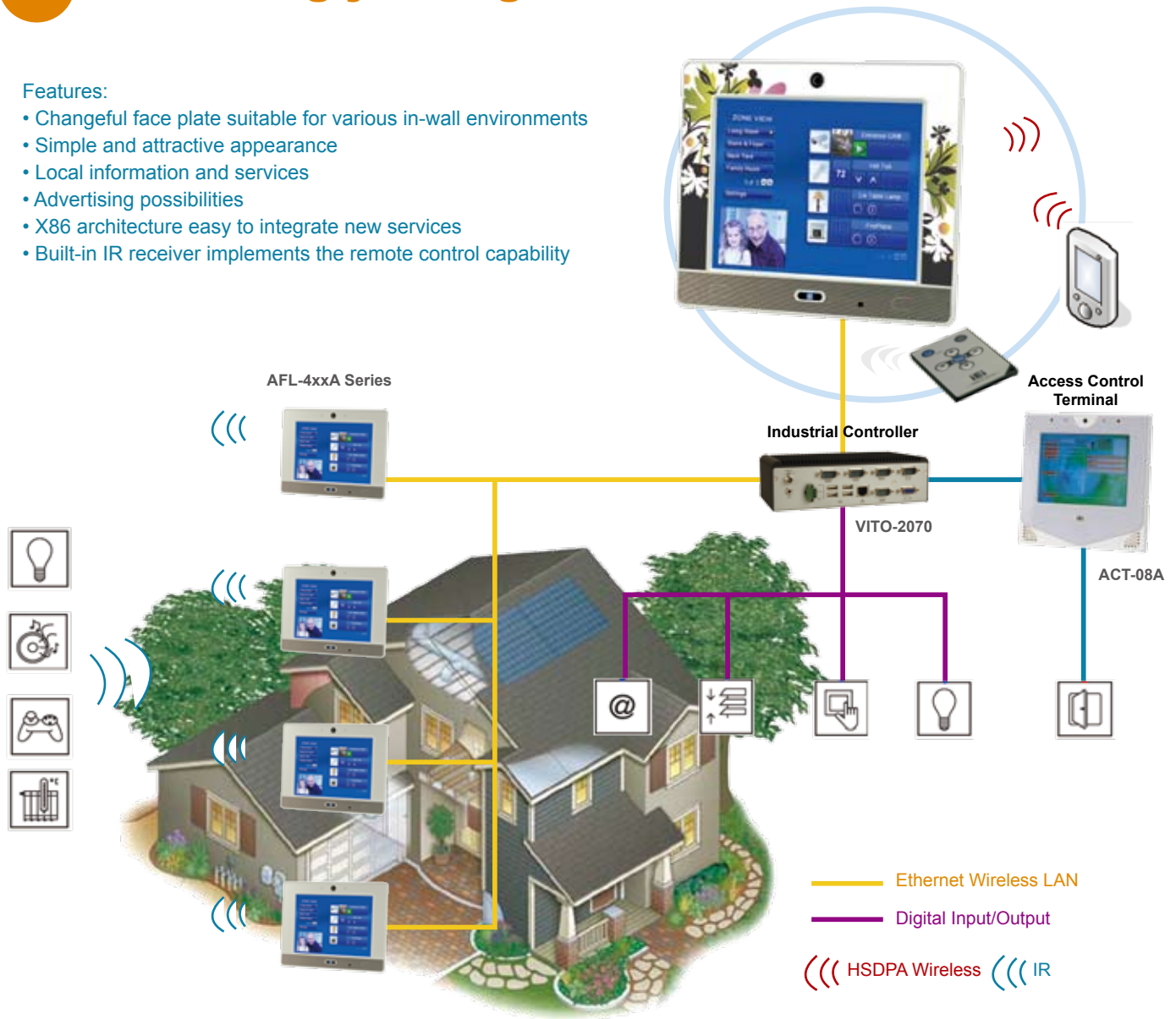
# What are we going after ?

## Various Applications


### A Controlling your digital home !

Features:

- Changeful face plate suitable for various in-wall environments
- Simple and attractive appearance
- Local information and services
- Advertising possibilities
- X86 architecture easy to integrate new services
- Built-in IR receiver implements the remote control capability




### Designing a Home Automation System




**Audio Control**

Telephone announcement and music from the room can follow you down the hall and into the kitchen over the audio speakers.




**Lighting Control**

Lighting set by schedule, time of day.



**Security**

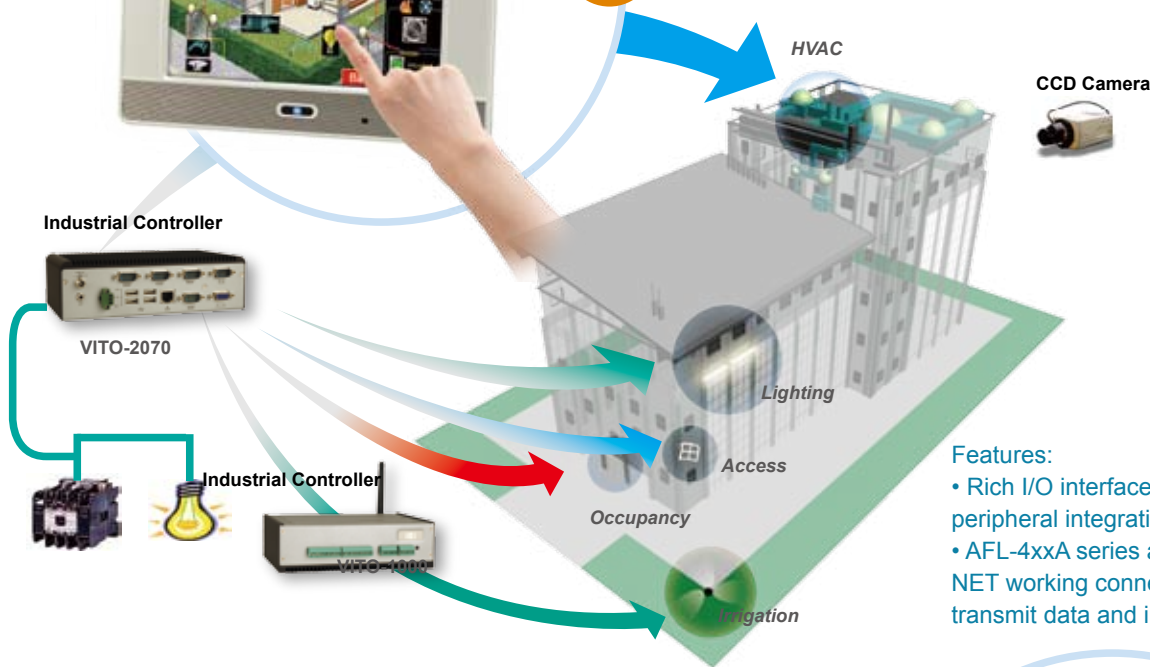
- Control the lighting, in the event of alarm or fire happens
- View and record surveillance video



**Energy Management**

- Unused lights turn off when leaving the home.
- Settings restore automatically when returning home, saving energy.

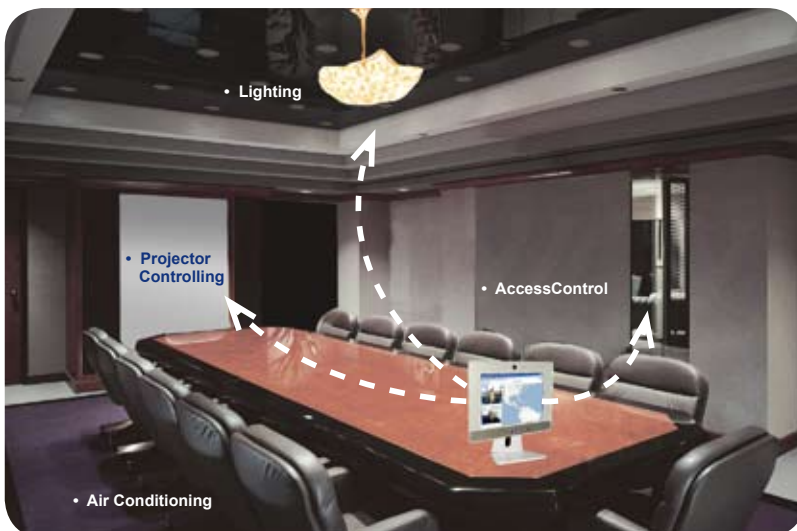
## B Building Automation



- Features:
- Rich I/O interface are reserved for easy peripheral integration in any location.
  - AFL-4xxA series are ensured uninterrupted NET working connection in the building, specially transmit data and information in real time.

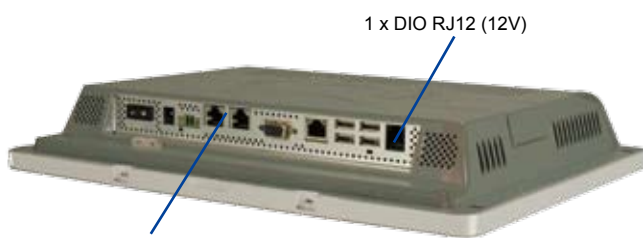
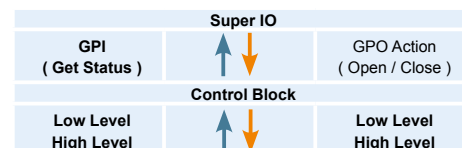
## C Conferencing

- Features:
- Integrated video and audio hardware ready and wireless connection easy to do video conferencing communications.

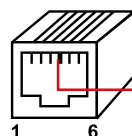


- Equipped with a digital I/O RJ-12 with 12V power to remotely control the device on and off.

• RJ-12 Digital IO Control Diagram



1 x RJ45 for RS-232  
1 x RJ45 for RS-232/422/485



Pin	Assignment
1	Ground
2	CASH_1 (Digital Out Programmable)
3	Digital IN
4	+12 V
5	NC
6	Ground

# AFL-408A-ATOM

# AFL-408B-ATOM

# AFL-W410A-ATOM

8.4" SVGA Fanless In-Wall Panel PC

8.0" SVGA Fanless In-Wall Panel PC

Wide 10.2" SVGA Fanless In-Wall Panel PC

## Features

1. 8" ~ 15" TFT LCD with resistive touch screen.
2. Fanless system with Intel ATOM process N270 1.6GHz CPU
3. Changeable faceplate and sticker skin
4. In-wall mechanism design allows easy to installation in minutes
5. A digital I/O RJ-12 12V port provides extension
6. Build-in CMOS camera with digital microphone and two 1.5W speakers for multimedia applications
7. Enabling easier access to the internet through a HSDPA network (Optional)
8. Built-in bluetooth technology rids systems of cables and allows wireless connection to peripheral devices like head phones, keyboard and mouse
9. VESA-mountable for flexibility in mounting and deployment
10. Ambient light sensor detects ambient light for automated screen adjustments to optimize viewing.



Remote Controller for OSD Settings  
(LCD On/Off; System Power On/Off; Volume; Brightness)



## Specifications

		2009 Q1 Release		2009 Q1 Release		
Model		AFL-408A-ATOM-R10	AFL-408B-ATOM-R10	AFL-W410A-ATOM-R10		
Display	LCD Size	8.4"	8.0"	10.2"		
	Max Resolution	800 * 600	800 * 600	1024 * 600		
	Brightness (cd/m2)	400	300	400		
	Contrast Ratio	400 : 1	400 : 1	400 : 1		
	LCD Color	262K	262K	262K		
	Pixel Pitch (mm)	0.213(H) x 0.213(V)	0.0675(H) x 0.2025(V)	0.2175(H) x 0.2175(V)		
	Viewing Angle (H-V)	120° / 100°	130° / 120°	140° / 110°		
	Backlight MTBF (hrs)	50000	30000	40000		
Motherboard	CPU	Intel Atom process N270 1.6GHz CPU				
	Chipset	Intel 945GSE + ICH7M				
	RAM	Supports one 200-pin 2GB (Maximum) 400MHz or 533MHz DDRII SO-DIMM				
I/O Ports	1 x RJ-45 for RS232 COM Port 1 x RJ-45 for RS-232/422/485 COM port 1 x RJ-45 for Giga LAN 4 x USB 2.0 2 x Power Switch (Inside Front Panel & Rear cover) 1 x Reset Button 1 x RJ12 for Digital Input / Output (12VDC) 1 x Terminal Block for 10~28VDC Input 1 x VGA Port					
	HDD Drive Bay	N/A				
	SSD	CF Typell				
	HSDPA Mobile Solution (Optional)	N/A	N/A	1 x HSDPA Mobile Module (USB Interface)		
	Other Features	Watchdog Timer	Software programmable supports 1~255 sec. System reset			
		Audio	AMP 1.5W + 1.5W			
		Extension	Wireless Lan Module (PCIe Mini Card, 802.11 b/g LAN Module)			
Bluetooth Module (USB Interface V2.0)			N/A		N/A	
Webcam & Mic Function			N/A		N/A	
LED Function	1 x Remote Controller ( LCD On/Off; System Power On/Off; Volume; Brightness)					
Physical	Construction Material	ABS + PC Plastic front frame				
	Mounting	Panel, Wall ,VESA 75mm x 75mm/ 100mm x 100mm				
	Front Panel Color	Black/ White/ Gray				
	Net Weight	0.8Kg	0.8Kg	TBD		
	Dimension (WxHxD) (mm)	263.2 x 221.2 x 54.4	263.2 x 221.2 x 54.4	TBD		
Environment	Operation Temperature (°C)	0°C ~50°C	-10°C ~50°C	0°C ~50°C		
	Storage Temperature (°C)	-20°C ~60°C	-20°C ~60°C	-20°C ~60°C		
	IP Level	IP64	IP64	IP64		
	EMC	CE, FCC, CCC	CE, FCC, CCC	CE, FCC, CCC		
	Safety	CB	CB	CB		
Touch Screen	Resistive Type 4-Wire (Touch controller IC is on board)		Resistive Type 4-Wire (Touch controller IC is on board)		Resistive Type 5-Wire (Touch controller IC is on board)	
Power Adapter	P/N: 63000-FSP0361AD101C-RS		P/N: 63000-FSP0361AD101C-RS		P/N: 63000-FSP0361AD101C-RS	
	Power: 36W		Power: 36W		Power: 36W	
	Input: 90VAC~264VAC, 50/60Hz Output: 12VDC		Input: 90VAC~264VAC, 50/60Hz Output: 12VDC		Input: 90VAC~264VAC, 50/60Hz Output: 12VDC	
Power Requirement	12V DC-IN 10 ~ 28V DC-IN		12V DC-IN 10 ~ 28V DC-IN		12V DC-IN 10 ~ 28V DC-IN	
Power Consumption	25W		25W		28W	

# AFL-412A-ATOM

12.1" XGA Fanless In-Wall Panel PC

# AFL-415A-ATOM

15" XGA Fanless In-Wall Panel PC

# AFL-415AE-ATOM

15" XGA Economical Fanless In-Wall Panel PC



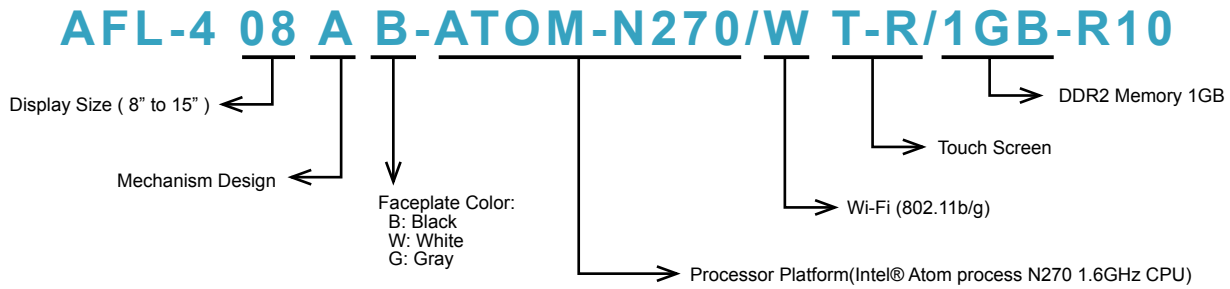
## Specifications

2009 Q1 Release

2009 Q1 Release

Model	AFL-412A-ATOM-R10	AFL-415A-ATOM-R10	AFL-415AE-ATOM-R10
Display	LCD Size	12.1"	15"
	Max Resolution	1024 * 768	1024 x 768
	Brightness (cd/m2)	400	350
	Contrast Ratio	500 : 1	700 : 1
	LCD Color	262K	262K
	Pixel Pitch (mm)	0.240(H) x 0.240(V)	0.297(H) x 0.297(V)
	Viewing Angle (H-V)	120°/100°	140°/125°
	Backlight MTBF (hrs)	50000	50000
Motherboard	Intel Atom process N270 1.6GHz CPU		
	Intel 945GSE + ICH7M		
	Supports one 200-pin 2GB (Maximum) 400MHz or 533MHz DDRII SO-DIMM		
I/O Ports	1 x RJ-45 for RS232 COM Port		
	1 x RJ-45 for RS-232/422/485 COM port		
	1 x RJ-45 for Giga LAN		
	4 x USB 2.0		
	2 x Power Switch (Inside Front Panel & Rear cover)		
	1 x Reset Button		
	1 x RJ12 for Digital Input / Output (12VDC) 1 x Terminal Block for 10~28VDC Input 1 x VGA Port		
Drive Bay	HDD Drive Bay	1 x 2.5" SATA HDD bay or Option HSDPA Module	
	SSD	CF Typell	
	HSDPA Mobile Solution (Optional)	1 x HSDPA Mobile Module (USB Interface)	
Other Features	Watchdog Timer	Software programmable supports 1~255 sec. System reset	
	Audio	AMP 1.5W + 1.5W	
	Extension	1 x Wireless Lan Module (PCIe Mini Card, 802.11 b/g LAN Module)	
		1 x Bluetooth Module (USB Interface V2.0)	
		1 x Webcam & Mic Function	
Physical	LED Function	1 x Power ON/OFF LED on Front Panel	
	Construction Material	ABS + PC Plastic front frame	
	Mounting	Panel, Wall, VESA 75mm x 75mm / 100mm x 100mm	
	Front Panel Color	Black/ White/ Gray	
	Net Weight	1.8Kg	TBD
Environment	Dimension (WxHxD) (mm)	339 x 276 x 51.6	TBD
	Operation Temperature (°C)	0°C~40°C with HDD -10°C~50°C with CF Card or SATA interface 2.5"SSD HDD	
	Storage Temperature (°C)	-20°C ~60°C	
	IP Level	IP64	
	EMC	CE, FCC, CCC	
Touch Screen	Resistive Type 5-Wire (Touch controller IC is on board)		
Power Adapter	P/N: 63000-FSP0481AD101C-RS	P/N: 63000-FSP0601AD101C-746RS	
	Power: 48W	Power: 60W	
	Input: 90VAC~264VAC, 50/60Hz	Input: 90VAC~264VAC, 50/60Hz	
Power Requirement	Output: 12VDC	Output: 12VDC	
	12V DC-IN	12V DC-IN	
	10 ~ 28V DC-IN	10 ~ 28V DC-IN	
Power Consumption	32W	49W	49W

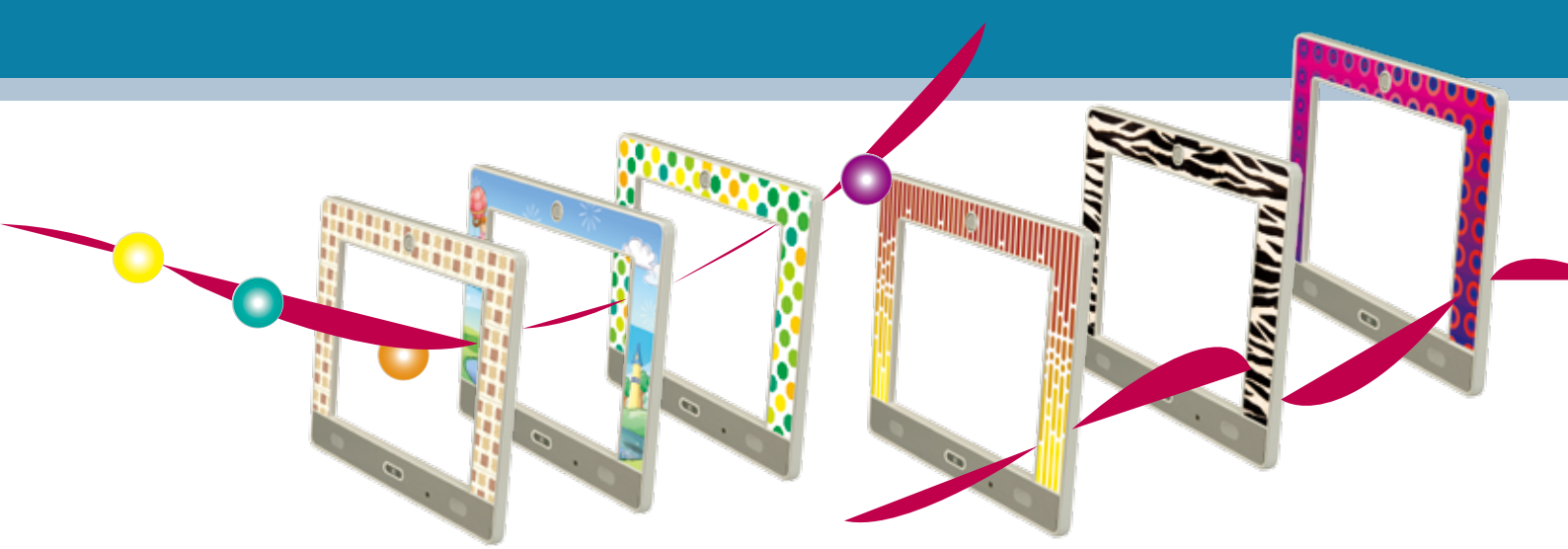
## AFL-4xxA In-wall PPC Product Line Naming Rule



## Ordering Information

Model	Description
2009 Q1 Release 8"	AFL-408BB-ATOM-N270/WT-R/1GB-R10 8.0" 300 cd/m2, 800x600 fanless In-Wall panel PC with Intel Atom N270 1.6G CPU, 1GB DDR2 RAM, AT/ATX mode, 802.11b/g Wireless, Touch screen and 10-28VDC Wide Range, Black color, R10, RoHS
	AFL-408BW-ATOM-N270/WT-R/1GB-R10 8.0" 300 cd/m2, 800x600 fanless In-Wall panel PC with Intel Atom N270 1.6G CPU, 1GB DDR2 RAM, AT/ATX mode, 802.11b/g Wireless, Touch screen and 10-28VDC Wide Range, White Color, R10, RoHS
	AFL-408BG-ATOM-N270/WT-R/1GB-R10 8.0" 300 cd/m2, 800x600 fanless In-Wall panel PC with Intel Atom N270 1.6G CPU, 1GB DDR2 RAM, AT/ATX mode, 802.11b/g Wireless, Touch screen and 10-28VDC Wide Range, Gray Color, R10, RoHS
8.4"	AFL-408AB-ATOM-N270/WT-R/1GB-R10 8.4" 400 cd/m2, 800x600 fanless In-Wall panel PC with Intel Atom N270 1.6G CPU, 1GB DDR2 RAM, AT/ATX mode, 802.11b/g Wireless, Bluetooth, 300K Pixel Camera W/Microphone, Touch screen and 10-28VDC Wide Range, Black color, R10, RoHS
	AFL-408AW-ATOM-N270/WT-R/1GB-R10 8.4" 400 cd/m2, 800x600 fanless In-Wall panel PC with Intel Atom N270 1.6G CPU, 1GB DDR2 RAM, AT/ATX mode, 802.11b/g Wireless, Bluetooth, 300K Pixel Camera W/Microphone, Touch screen and 10-28VDC Wide Range, White Color, R10, RoHS
	AFL-408AG-ATOM-N270/WT-R/1GB-R10 8.4" 400 cd/m2, 800x600 fanless In-Wall panel PC with Intel Atom N270 1.6G CPU, 1GB DDR2 RAM, AT/ATX mode, 802.11b/g Wireless, Bluetooth, 300K Pixel Camera W/Microphone, Touch screen and 10-28VDC Wide Range, Gray Color, R10, RoHS
2009 Q1 Release 10.2"	AFL-W410AB-ATOM-N270/WT-R/1GB-R10 10.2" 400 cd/m2, 1024x600 fanless In-Wall panel PC with Intel Atom N270 1.6G CPU, 1GB DDR2 RAM, AT/ATX mode, 802.11b/g Wireless, Touch screen and 10-28VDC Wide Range, Black color, R10, RoHS
	AFL-W410AW-ATOM-N270/WT-R/1GB-R10 10.2" 400 cd/m2, 1024x600 fanless In-Wall panel PC with Intel Atom N270 1.6G CPU, 1GB DDR2 RAM, AT/ATX mode, 802.11b/g Wireless, Touch screen and 10-28VDC Wide Range, White Color, R10, RoHS
	AFL-W410AG-ATOM-N270/WT-R/1GB-R10 10.2" 400 cd/m2, 1024x600 fanless In-Wall panel PC with Intel Atom N270 1.6G CPU, 1GB DDR2 RAM, AT/ATX mode, 802.11b/g Wireless, Touch screen and 10-28VDC Wide Range, Gray Color, R10, RoHS
12.1"	AFL-412AB-ATOM-N270/WT-R/1GB-R10 12.1" 400 cd/m2, 1024x768 fanless In-Wall panel PC with Intel Atom N270 1.6G CPU, 1GB DDR2 RAM, AT/ATX mode, 802.11b/g Wireless, Bluetooth, 300K Pixel Camera W/Microphone, Touch screen and 10-28VDC Wide Range, Black color, R10, RoHS
	AFL-412AW-ATOM-N270/WT-R/1GB-R10 12.1" 400 cd/m2, 1024x768 fanless In-Wall panel PC with Intel Atom N270 1.6G CPU, 1GB DDR2 RAM, AT/ATX mode, 802.11b/g Wireless, Bluetooth, 300K Pixel Camera W/Microphone, Touch screen and 10-28VDC Wide Range, White color, R10, RoHS
	AFL-412AG-ATOM-N270/WT-R/1GB-R10 12.1" 400 cd/m2, 1024x768 fanless In-Wall panel PC with Intel Atom N270 1.6G CPU, 1GB DDR2 RAM, AT/ATX mode, 802.11b/g Wireless, Bluetooth, 300K Pixel Camera W/Microphone, Touch screen and 10-28VDC Wide Range, Gray color, R10, RoHS
2009 Q1 Release 15"	AFL-415AB-ATOM-N270/WT-R/1GB-R10 15" 350 cd/m2, 1024x768 fanless In-Wall panel PC with Intel Atom N270 1.6G CPU, 1GB DDR2 RAM, AT/ATX mode, 802.11b/g Wireless, Bluetooth, 300K Pixel Camera W/Microphone, Touch screen and 10-28VDC Wide Range, Black color, R10, RoHS
	AFL-415AW-ATOM-N270/WT-R/1GB-R10 15" 350 cd/m2, 1024x768 fanless In-Wall panel PC with Intel Atom N270 1.6G CPU, 1GB DDR2 RAM, AT/ATX mode, 802.11b/g Wireless, Bluetooth, 300K Pixel Camera W/Microphone, Touch screen and 10-28VDC Wide Range, White color, R10, RoHS
	AFL-415AG-ATOM-N270/WT-R/1GB-R10 15" 350 cd/m2, 1024x768 fanless In-Wall panel PC with Intel Atom N270 1.6G CPU, 1GB DDR2 RAM, AT/ATX mode, 802.11b/g Wireless, Bluetooth, 300K Pixel Camera W/Microphone, Touch screen and 10-28VDC Wide Range, Gray color, R10, RoHS
2009 Q1 Release Typical Brightness 15"	AFL-415AEB-ATOM-N270/WT-R/1GB-R10 15" 250 cd/m2, 1024x768 fanless In-Wall panel PC with Intel Atom N270 1.6G CPU, 1GB DDR2 RAM, AT/ATX mode, 802.11b/g Wireless, Bluetooth, 300K Pixel Camera W/Microphone, Touch screen and 10-28VDC Wide Range, Black color, R10, RoHS
	AFL-415AEW-ATOM-N270/WT-R/1GB-R10 15" 250 cd/m2, 1024x768 fanless In-Wall panel PC with Intel Atom N270 1.6G CPU, 1GB DDR2 RAM, AT/ATX mode, 802.11b/g Wireless, Bluetooth, 300K Pixel Camera W/Microphone, Touch screen and 10-28VDC Wide Range, White color, R10, RoHS
	AFL-415AEG-ATOM-N270/WT-R/1GB-R10 15" 250 cd/m2, 1024x768 fanless In-Wall panel PC with Intel Atom N270 1.6G CPU, 1GB DDR2 RAM, AT/ATX mode, 802.11b/g Wireless, Bluetooth, 300K Pixel Camera W/Microphone, Touch screen and 10-28VDC Wide Range, Gray color, R10, RoHS





## ISMM Support Functions

	Voltage	Fan	Smart Fan	Temperature	DIO	WDT	Beep	Cash Drawer
AFL-408A-ATOM	V			V	V	V	V	
AFL-W410A-ATOM	V			V	V	V	V	
AFL-412A-ATOM	V			V	V	V	V	
AFL-415A-ATOM	V			V	V	V	V	

## Options

Model	AFL-408A-ATOM	AFL-408B-ATOM	AFL-W410A-ATOM	AFL-412A-ATOM	AFL-415A-ATOM	AFL-415AE-ATOM
Wall mounting kit	AFLWK-12				AFLWK-19	
ARM	ARM-11-RS / ARM-31-RS					
Stand	STAND-A08 / STAND-100-RS / STAND-150-RS		STAND-A12 / STAND-100-RS / STAND-150-RS		STAND-A19, STAND-B19, STAND-210-RS STAND-A19, STAND-B19, STAND-210-RS	
VSTAND	VSTAND-A10			VSTAND-A12	N/A	N/A
9~30VDC to 12VDC converter module	IDD-930160-KIT				N/A	N/A
OS	OS: Win CE 5.0	AFLCF-408-ATOM-CE	AFLCF-408-ATOM-CE	AFLCF-W410-ATOM-CE	AFLCF-412-ATOM-CE	AFLCF-415-ATOM-CE
	OS: Win CE 6.0	AFLCF-408-ATOM-CE060	AFLCF-408-ATOM-CE060	AFLCF-W410-ATOM-CE060	AFLCF-412-ATOM-CE060	AFLCF-415-ATOM-CE060
	OS: Win XPE	AFLCF-408-ATOM-XPE	AFLCF-408-ATOM-XPE	AFLCF-W410-ATOM-XPE	AFLCF-412-ATOM-XPE	AFLCF-415-ATOM-XPE
DC 12V Input UPS	AUPS-A10-R10				AUPS-B10-R10	
DC 9~36V Input UPS	AUPS-A20-R10				AUPS-B20-R10	
Faceplate (Black Color)	AFLFP-408A-B-R10	AFLFP-408B-B-R10	AFLFP-W410A-B-R10	AFLFP-412A-B-R10	AFLFP-415A-B-R10	AFLFP-415AE-B-R10
Faceplate (White Color)	AFLFP-408A-W-R10	AFLFP-408B-W-R10	AFLFP-W410A-W-R10	AFLFP-412A-W-R10	AFLFP-415A-W-R10	AFLFP-415AE-W-R10
Faceplate (Gray Color)	AFLFP-408A-G-R10	AFLFP-408B-G-R10	AFLFP-W410A-G-R10	AFLFP-412A-G-R10	AFLFP-415A-G-R10	AFLFP-415AE-G-R10

Removable Faceplate:



AFLFP-4xxA-G-R10

AFLFP-4xxA-W-R10

AFLFP-4xxA-B-R10

Gray Color

White Color

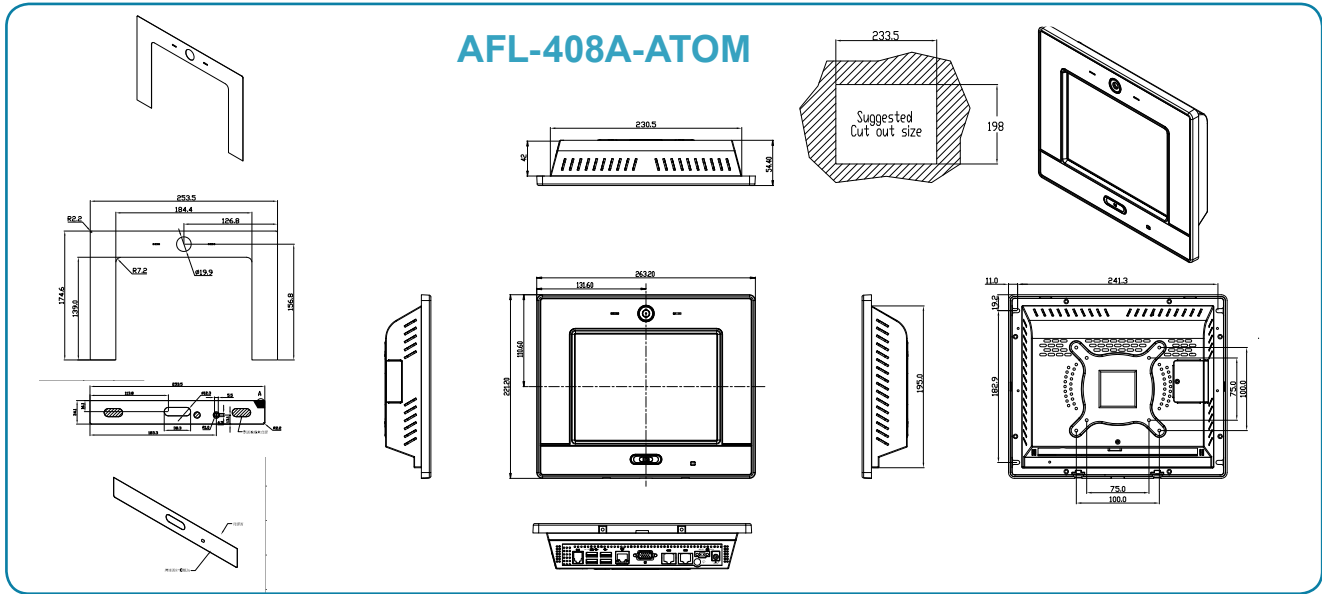
Black Color

## Packing List

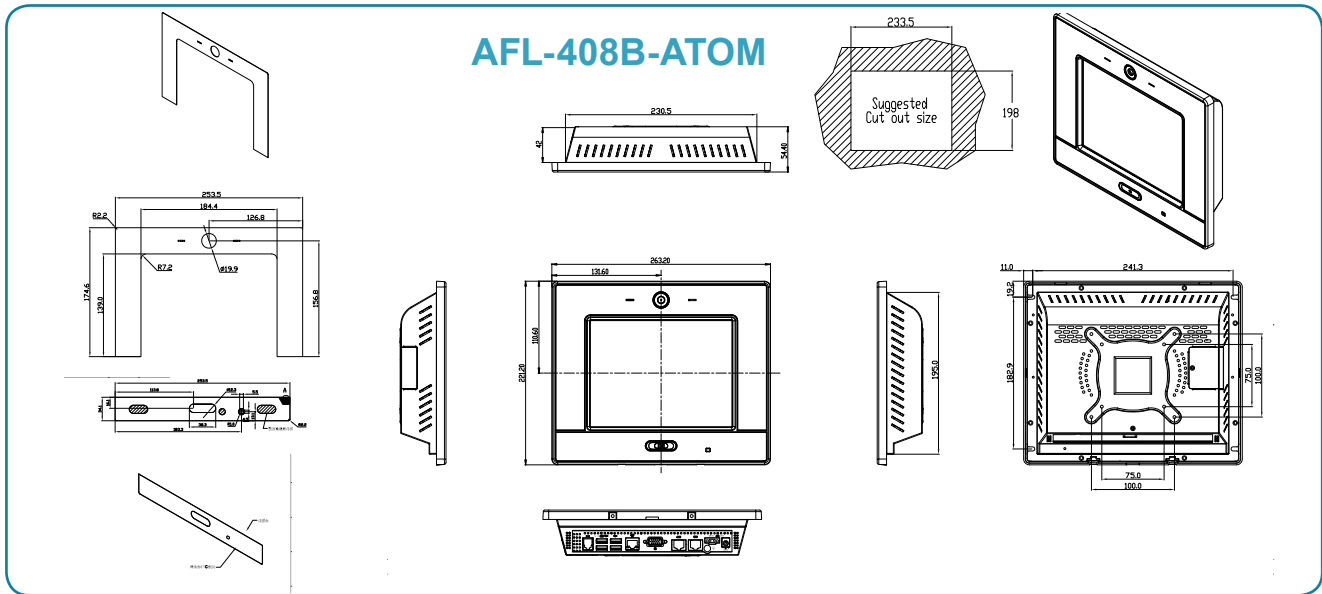
Item	P/N	Q'ty	Specifications
Screws	44233-030081-RS	4	M3; φ8mm
Power Adapter	63000-FSP0481AD101C-RS	1	"90 ~ 264V 12v; 48W"
Power Cable	32000-000002-RS	1	1750mm, European Standard
User's Manual CD ROM	7B000-000087-RS	1	
Touch Pen	XTR104-0002-RS	1	

# Dimensions

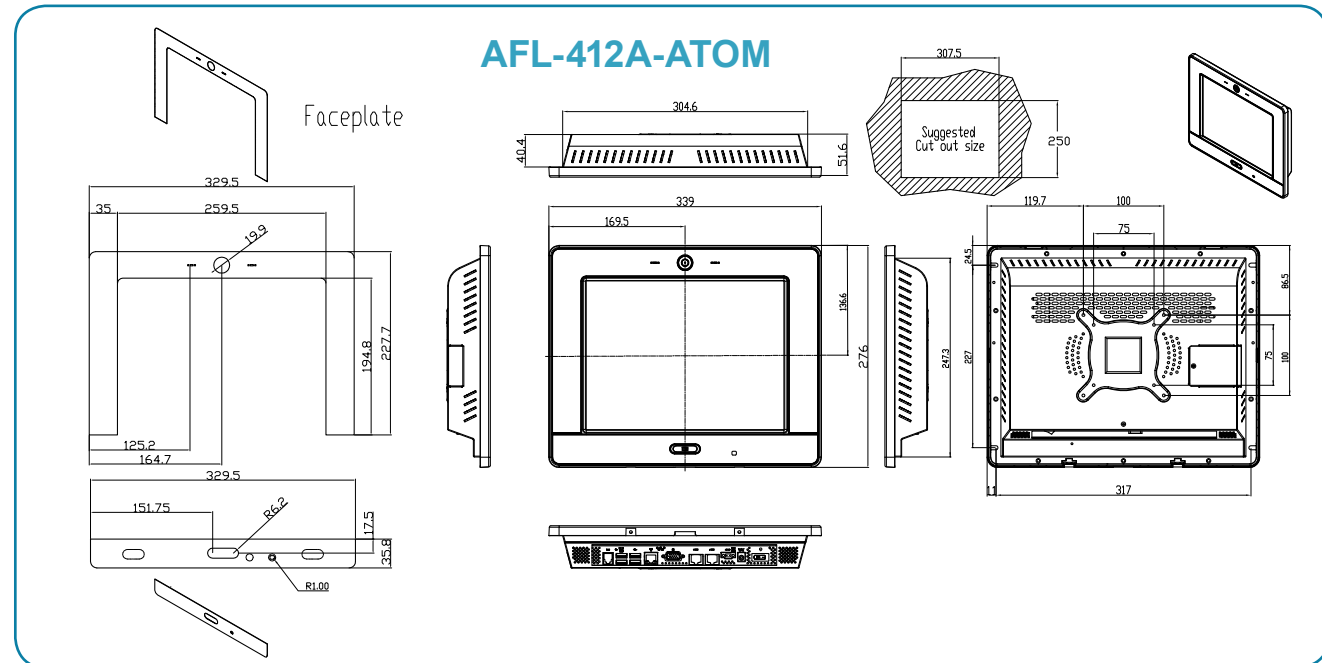
## AFL-408A-ATOM



## AFL-408B-ATOM



## AFL-412A-ATOM





**Headquarters**

威強工業電腦股份有限公司 IEI Technology Corp.

No. 29, Jhongsing Rd., Sijhih City, Taipei County, 221, Taiwan  
TEL : +886-2-86916798 FAX : +886-2-66160028  
sales@ieiworld.com www.ieiworld.com

**America**

IEI Technology USA Corp.

168 University Parkway, Pomona, CA 91768  
TEL : +1-909-595-2819 FAX : +1-909-595-2816  
sales@usa.ieiworld.com www.usa.ieiworld.com

**China**

威強工業電腦 IEI Technology (Shanghai) Co., Ltd.

上海市閔行區宜山路1728號3樓  
3F No. 1728 Yi-Shan Road, Min-Hang, ShangHai, China  
TEL : +86-21-3462-7799 FAX : +86-21-3462-7798,3462-7797  
sales@ieiworld.com.cn www.ieiworld.com.cn