



Light is vision.

LED 4-Segment Ringlight, Focusable

The new Volpi High-power LED 4-Segment Ringlight enhances the contrast through 4 individually selectable LED-segments and performs a homogenous, shadow free, high intense, incident light. The unique focusing lens enables the selection of different working distances from 25mm up to 150mm which allows an optimal examination of small or large objects. The High-power LEDs guarantee an extremely high lifetime of more than 10'000 hours and illuminate with a color temperature of 6'500 K.

- High Intensity
- Extremely Long LED Service Life
- Control Unit: 4 Segments, 6 Brightness Levels
- Easy Handling
- Compact Design
- No Fan Noise



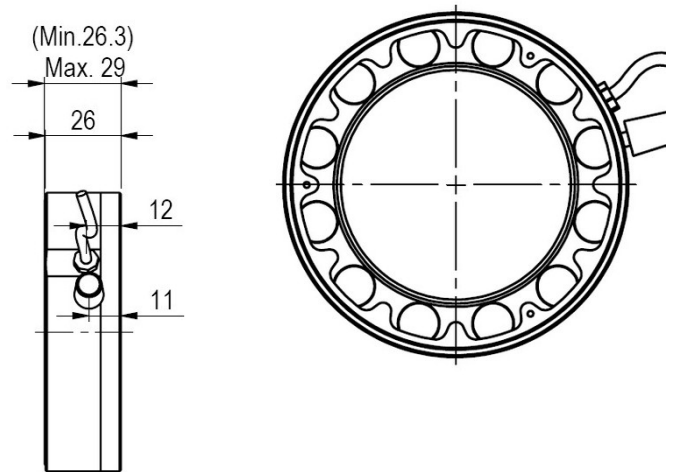
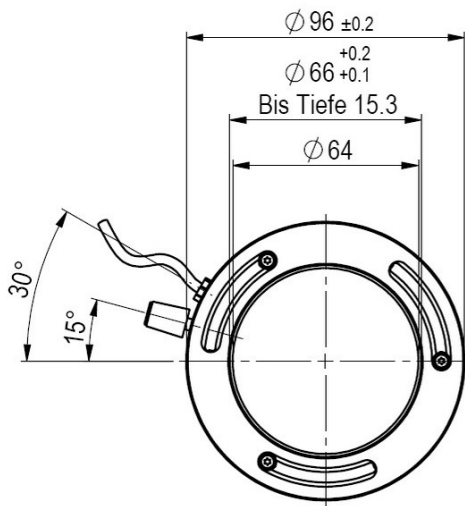
Technical Specifications (Subject to change)

12 White high-power LEDs 2 Watt
Color temperature 6500K
LED life min. 10.000 hours at 100% Intensity
Focusing lens
Working distance 25-150mm
Mounting diameter 66mm
Consumption max. 20W
Electronic regulation of light intensity
Power supply 100-240 VAC, 50/60Hz

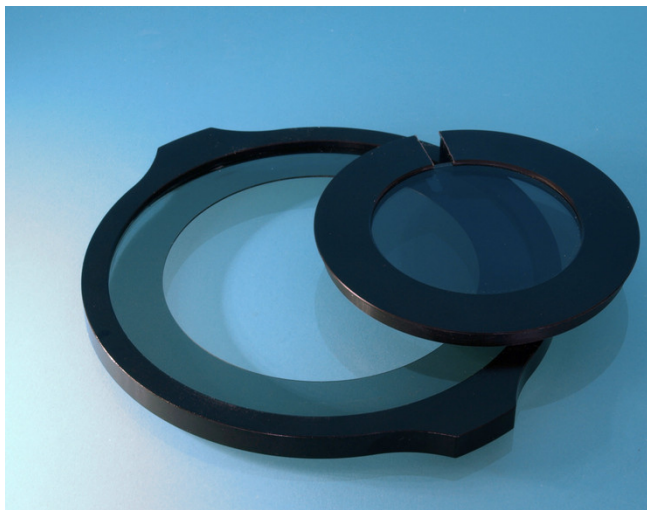


Light is vision.

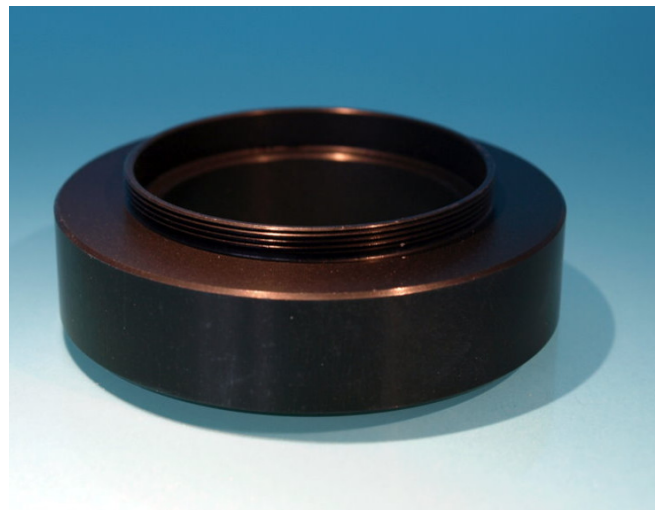
Dimensions



Optional Accessories



Polarizer Filter Set



Ringlight Adapter

Ordering Information (from December 2008)

SMD LED 4-Segment Ringlight, Power supply unit 100-240 VAC, 50-60Hz

Art.Nr. 16483.000

Polarizer filter set to SMD LED Ringlight

Art.Nr. 16483.100

Ringlight adapters for all main brands of stereo-microscopes available