



THE PRODUCT

One could not have chosen a more suitable name, for the STAR-KNOBS – like the stars in the sky – they represent the visual highlights of your equipment.

The illumination guides the user to the central user interface and also gives impressive emphasis to innovative equipment design.

The flush-fitting installation in the built-in version, with an attractive transition from the knob to the front of the device, also represents an innovation.

In the surface-mounted version, the knob design makes a great impression thanks to the slight inclination of the body towards the inner axis, thus allowing ergonomically favourable operation.

YOUR ADVANTAGE

Aesthetically sophisticated knob design.

Two installation versions (surface-mounted or flush-fitting). Two sizes each.

Optional illumination possible with modern, energy-saving SMD LED technology.

Ergonomic design features: finger recess (lid), knurls (knob) and inclined body (knob).

Tried and tested collet fixture system with secure fit on the axle.

Taking account of minimum batch sizes, we can also produce our STAR-KNOBS range in special colours. Tell us what you would like and what quantities you require.

APPLICATIONS

For rotary potentiometers or rotary pulse generators with round shaft ends in accordance with DIN 41 591, including touch function.

Measuring and control technology. Medical field and laboratory technology. Heating and air conditioning.

MATERIAL

Knob and assembly kit
PA 6 reinforced / PC transparent.
Cover PA 6 reinforced.

Knob

- Nero, NCS 9000-N
- Volcano, NCS 5502-G
- Diamond
- Ruby
- Emerald
- Sapphire

Cover

- Nero, NCS 9000-N
- Volcano, NCS 5502-G

Visual parts of assembly kits

“flush-fitting”

- Nero, NCS 9000-N
- Volcano, NCS 5502-G

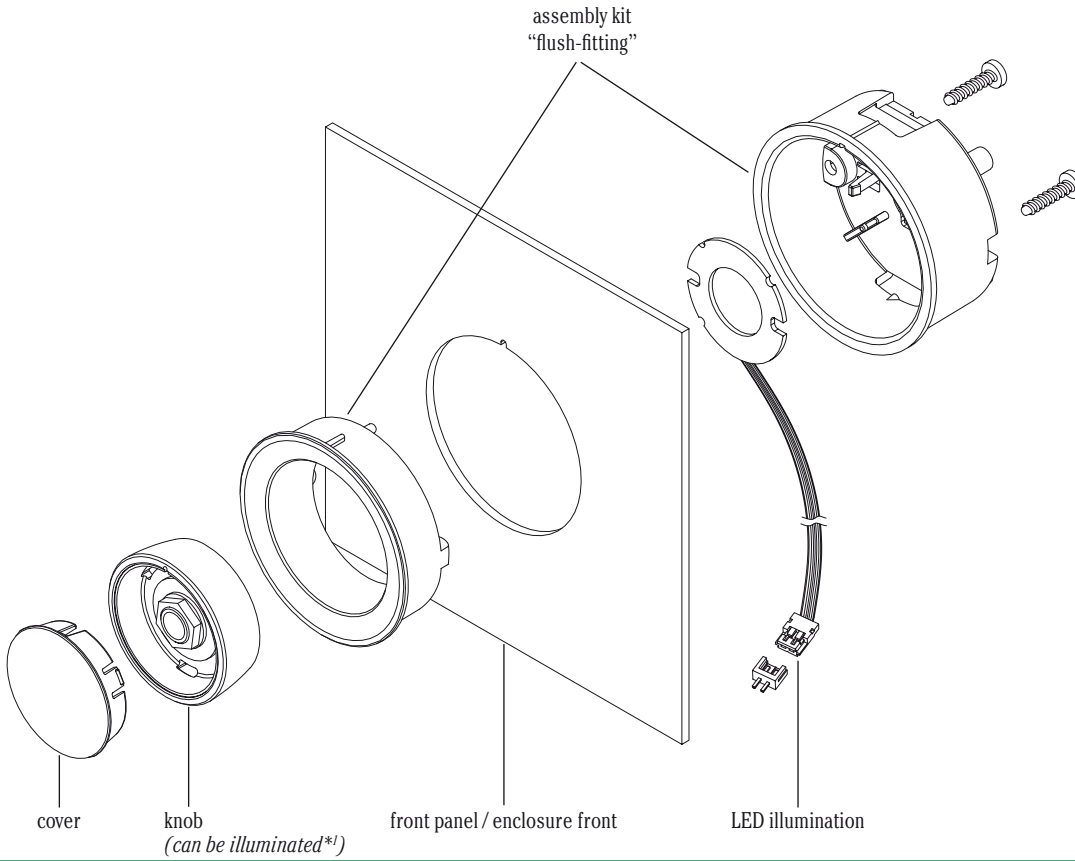
“surface-mounted”

- Nero, NCS 9000-N
- Volcano, NCS 5502-G
- Diamond
- Ruby
- Emerald
- Sapphire



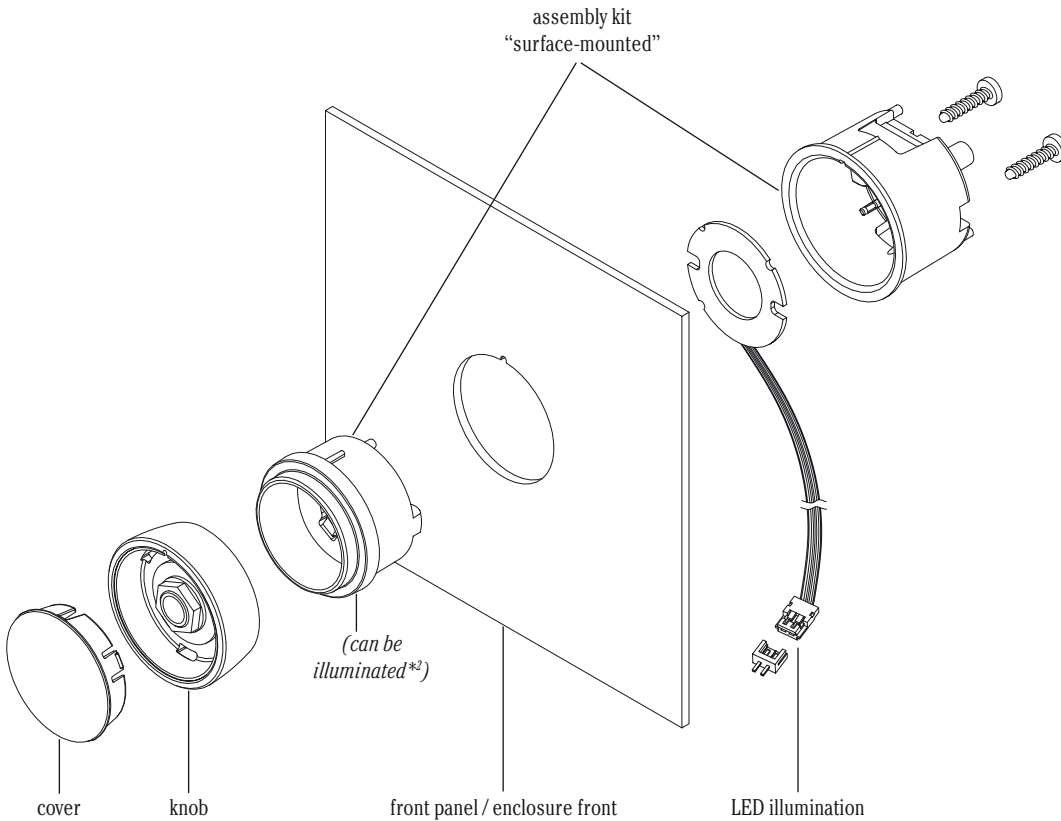
VARIANTS

“FLUSH-FITTING”



*1 For individual illumination, please order the *knob* in *translucent* (diamond / ruby / emerald / sapphire). For LED illumination with white light see accessories page 15.

“SURFACE-MOUNTED”



*2 For individual illumination, please order the *assembly kit* of the surface-mounted version in *translucent* (diamond / ruby / emerald / sapphire). For LED illumination with white light see accessories page 15.

KNOB

PA		PC*1		Knob ø	Borehole D	Colour	Torque (Nm)		Dim. in mm
							assembly	function	
B 80 33 068	B 81 33 068			33	6 mm	grey	1.8	1.6	
B 80 33 069	B 81 33 069					black			
		B 82 33 061	B 83 33 061			white			
		B 82 33 063	B 83 33 063			red			
		B 82 33 065	B 83 33 065			green			
		B 82 33 066	B 83 33 066	blue					
B 80 33 638	B 81 33 638			1/4"	1/4"	grey	1.8	1.6	
B 80 33 639	B 81 33 639					black			
		B 82 33 631	B 83 33 631			white			
		B 82 33 633	B 83 33 633			red			
		B 82 33 635	B 83 33 635			green			
		B 82 33 636	B 83 33 636	blue					
B 80 41 068	B 81 41 068			41	6 mm	grey	2.5	1.6	
B 80 41 069	B 81 41 069					black			
		B 82 41 061	B 83 41 061			white			
		B 82 41 063	B 83 41 063			red			
		B 82 41 065	B 83 41 065			green			
		B 82 41 066	B 83 41 066	blue					
B 80 41 088	B 81 41 088			8 mm	8 mm	grey	2.8	1.8	
B 80 41 089	B 81 41 089					black			
		B 82 41 081	B 83 41 081			white			
		B 82 41 083	B 83 41 083			red			
		B 82 41 085	B 83 41 085			green			
		B 82 41 086	B 83 41 086	blue					

COVERS

		For knob ø	Colour	Dim. in mm					
				a	b	c	d	without finger recess	with finger recess
B 86 33 008	B 86 33 108	33	grey	29	28	9	1.7		
B 86 33 009	B 86 33 109		black						
B 86 41 008	B 86 41 108	41	grey	37	36	11	1.7		
B 86 41 009	B 86 41 109		black						

ASSEMBLY KIT

flush-fitting version	surface-mounted version	For knob ø	Colour #2	Dim. in mm		
				flush-fitting version	surface-mounted version	
B 87 33 118	B 87 33 218	33	grey			
B 87 33 119	B 87 33 219		black			
	B 87 33 201		white			
	B 87 33 203		red			
	B 87 33 205		green			
	B 87 33 206	blue				
B 87 41 118	B 87 41 218	41	grey	<p>for front panel cutouts see drawings on the internet</p>		
B 87 41 119	B 87 41 219		black			
	B 87 41 201		white			
	B 87 41 203		red			
	B 87 41 205		green			
	B 87 41 206	blue				

Minimum components for 1 STAR-KNOB: 1 knob, 1 cover and 1 assembly kit.

COLOURS STAR-KNOBS

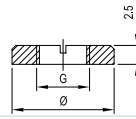
volcano, NCS 5502-G	diamond	emerald
nero, NCS 9000-N	ruby	sapphire

*1 knob can be illuminated individually (flush-fitting version)

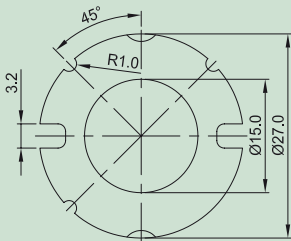
*2 can be illuminated individually in translucent (diamond / ruby / emerald / sapphire) version (surface-mounted version)

ACCESSORIES

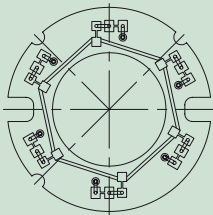
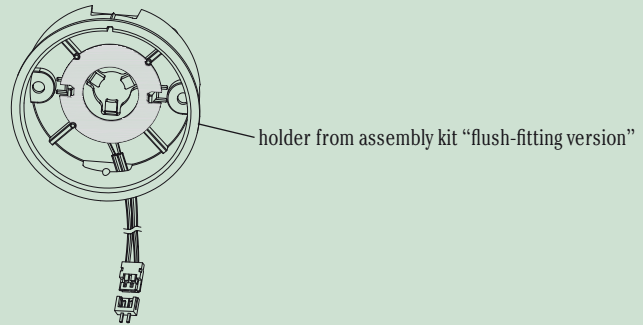
Article	For knob \varnothing	Version / Application	Part-No.
① LED illumination	33, 41	PCB \varnothing 27 mm with 6 LEDs (white light), SMD-technology, connecting cable 100 mm long, 2-pin connector at the end, incl. PCB connector	B 87 33 000
② Round nut	33, 41	For mounting of potentiometer at the assembly kit.	G \varnothing
			M 7 x 0.75 13.5
			M 10 x 0.75 12.5
③ Spanner	33, 41	For tightening round nuts.	A 62 07 009
			A 62 10 009
			A 62 95 009
			A 63 00 000



PCB with LED illumination (①) – for power supply units with 5 V



Mounting
“flush-fitting version”
(only in conjunction with the *translucent knob* in diamond / ruby / emerald and sapphire)



Mounting
“surface-mounted version”
(only in conjunction with the *translucent assembly kit* in diamond / ruby / emerald and sapphire)

