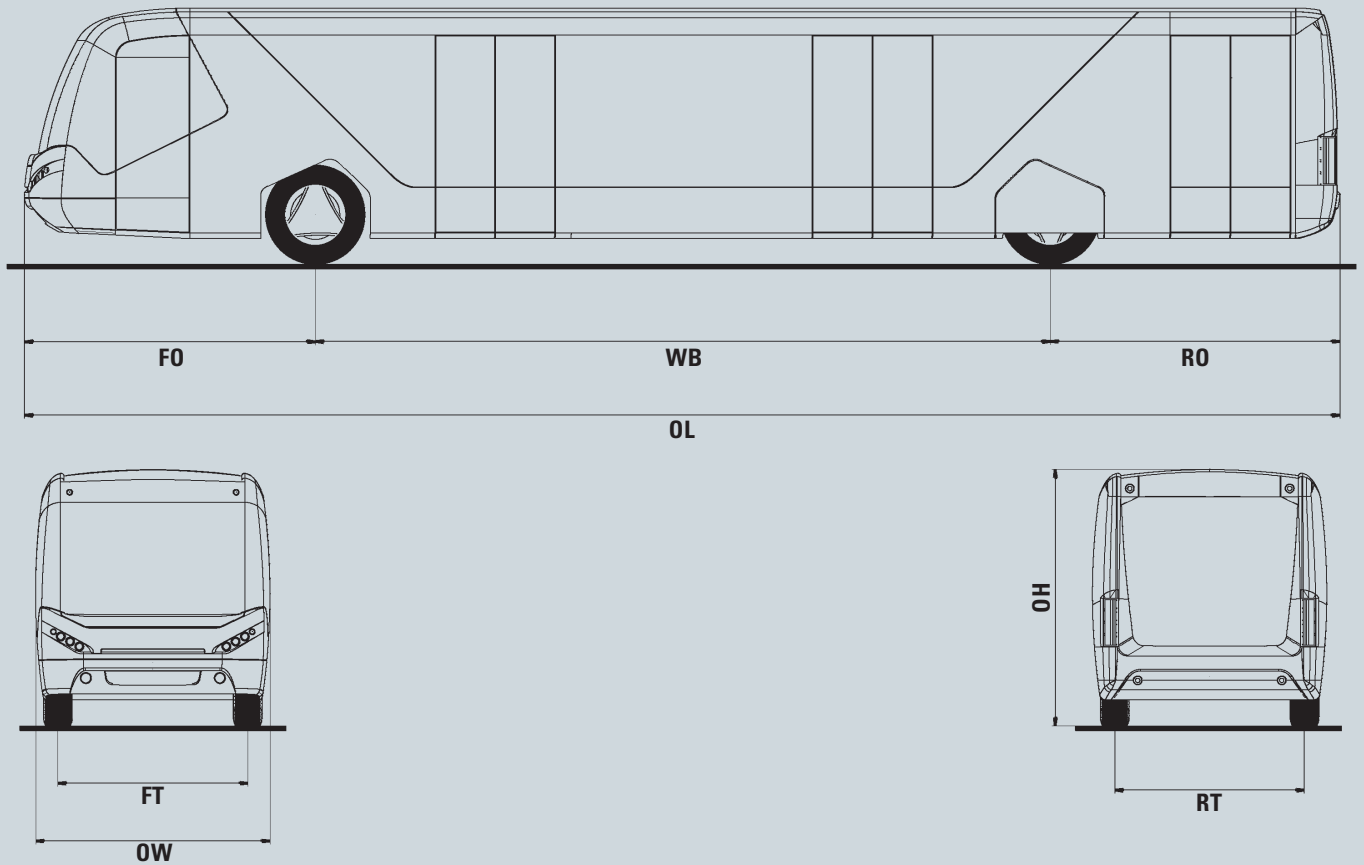


TECHNICAL DATA SHEET FOR NEOPLAN APRON BUSES:

Engine	MAN D0836 LOH, Euro 3, Rating: 162 kW @ 2,400 rpm. Cylinder arrangement: 6 cylinders, vertically in line, Bore/stroke 108/125 mm, Displacement 6871 cm ³ , Torque: 820 Nm @ 1,450 rpm, Compression ratio: 18:1. Vertical, front mounted, water-cooled, four-stroke diesel engine with direct injection, exhaust-gas turbocharging and intercooling. Electronically controlled diesel injection (EDC). Low-noise, environmentally compatible; Engine oil cooler: Integrated in engine lubrication system
Gearbox	ZF 4HP 502 (4-speed). Automatic gearbox with integrated retarder
Cooling and Intake System	Cooling system: Radiator in front of the engine. Thermostatically controlled water cooling. Belt driven viscose coupling fan; Intake system: Dry air filter with vacuum indicator.
Axle	Rear axle: NEOPLAN axle with KESSLER LO 81 wheel head. Independent suspension; Front axle: KESSLER LT 51 PL 377. Planetary rigid driven steering axle gear Ratio: i = 7.33
Suspension	ECAS-controlled air suspension. Kneeling device on both axles and both sides. Bellows FA 2, RA 2; Shock abs. FA 2, RA 2; Level control-Valves (for 9012 and 9012L) FA 2, RA 1.
Wheel rims/Tyres	Four disc wheels, size 13.00 x 22.5 ET100 . (9.00 x 22.5 ET108). Four tyres, size 425/65 R22.5. (315/80 R22.5) (for 9012 and 9012L).
Steering	Ball-and-nut power steering with integrated hydraulic power assistance unit. Model ZF 8098, 4-spoke steering wheel, dia. 450 mm. Steering column height and inclination adjustable.
Brake system	Service brake (front/rear axles): Dual-circuit air-actuated simplex drum brake system acting via diaphragm cylinders. Brake system conforms to EU and ECE directives. Auxiliary and parking brake: Acts without linkage on non-driven axle via spring-loaded cylinders. Halt brake: Acts with reduced pressure on service-brake part of non-driven axle. Brake units with asbestos-free brake linings. Brake lines of plastic, in engine area of steel-
Compressed-air system	Gear-driven 2-cylinder compressor with water-cooled cylinder head. Output at 10 bar (8 bar for braking system). Twin cartridge Air dryer; Fuel system: 190 litre tank, Optional: Water separator.
Structure/Frame	Monocoque structure with low-floor frame, made out of square tubes in steel quality M22 (bus builder quality), all sections welded. Electro-static corrosion treatment of structure and steel parts. Floor section undercoating.
Air-condition	Sütrak Carrier air-condition unit AC738, 1 Compressor, belt driven
Electrical system	Voltage 24V, Alternators: standard 1 x 28V/140A, A/C bus 1 x 28V/140A + 1 x 28V/180A, Low-maintenance 2x12V/200Ah batteries. Electric battery main switch. Automatic fuses. Mechanical battery isolator switch. Headlight system with 2 low beam headlights, 4 halogen high beam headlights and 2 fog lights. Signal horn, rear warning system.
Instruments/Gauges/ Equipment	New ergonomic dashboard. Electronic speedometer. Multi-function stalk switch. Central monitoring lamps, display bar for brake reservoir pressure, fuel reserves, coolant temperature and oil pressure. Radio, inter phone loudspeaker system; Optional: Radio communication system; Optional: rear view camera system with LCD-monitor; Co-Driver seat: Optional on request.

Subject to technical changes. Optional equipment on request.
This vehicle complies with the EC 2001/85 Bus and Coach Directive.



		Main dimensions in mm			
		9012	9012L	9022	9022L
Overall length	(OL)	13310	14720	13310	14720
Vehicle width	(OW)	2750	2750	3170	3170
Overall height with A/C	(OH)	2960	2960	2960	2960
Front overhang	(FO)	3270	3270	3270	3270
Wheelbase	(WB)	6800	8210	6800	8210
Rear overhang	(RO)	3240	3240	3240	3240
Front track	(FT)	2170	2170	2206	2206
Rear track	(RT)	2144	2144	2552	2552
Front axle width			2386		
Rear axle width		2360		2732	
Ground clearance			200		
Entrance height (kneeled)			350 (280)		
Door height			2157		
Door width			1350		
Inner height			2400		
Inner width		2520		3070	
Aisle width		960		980	
(between rear wheel arches)					

		Weights in kg			
		9012	9012L	9022	9022L
Total (unladen)		~8500	~9500	~11000	~11500
Front		8000	8500	10000	11000
Rear		8000	8500	10000	11000
Total		16000	18000	20000	22000
		Capacities			
Seats (driver + passengers)		1+5	1+5	1+6	1+6
Standing area in m ²		18	21	22	26
Standees by 4 Pers./m ² (5 Pers./m ²)		72 (90)	84 (105)	88 (110)	104 (130)
Max. passenger capacity		77 (95)	89 (110)	94 (116)	110 (136)
		Driving capabilities			
Max. speed in km/h		40 (50)			
Turning-circle diameter		27400	31600	27800	32000
Angle of approach		4°			
Angle of departure		3°			