



ATEX Compact Vacuum Meter

Absolute Pressure 1050 - 1 mbar (Torr)

VD82EX

The ATEX certified digital vacuum meter VD82EX with external sensor head measures absolute pressure in the rough vacuum range

It is suitable for applications in explosive areas.

EG prototype certificate
BVS 06 ATEX E 011
Mark:
Ⓜ II 2 G EEX ia IIC T4



Typical Applications

- ▶ Measuring absolute pressure in explosive areas, zone 1
- ▶ Chemical engineering
- ▶ Check and setup of vacuum pumps
- ▶ Laboratory and research
- ▶ Analysis and documentation at vacuum pumps and facilities
- ▶ Service and maintenance
- ▶ Instruments for analysis

Your Benefits

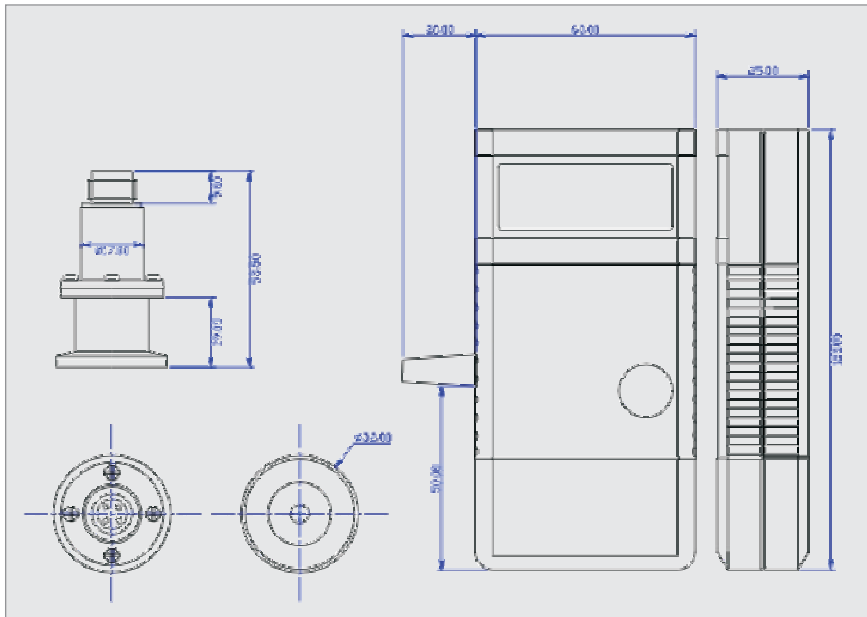
- ▶ External detachable sensor head out of robust stainless steel
- ▶ Chemical resistant ceramic sensor with kalrez sealing
- ▶ Compact, handy, user-friendly
- ▶ Excellent repeatability
- ▶ High long-term stability
- ▶ Up to 100 hours accu lifetime
- ▶ Pressure units mbar, Torr, hPa
- ▶ Delivery with protective case, hose nozzle and plug in charging adapter
- ▶ Min/Max - memory: storage and display of extremal values
- ▶ Select between automatic switch off and continuous operation
- ▶ Exact readjustment without potentiometer
- ▶ Variable vacuum connection with small flange, G 1/4 inside thread and hose nozzle



ATEX Compact Vacuum Meter

Absolute Pressure 1050 - 1 mbar (Torr)

VD82EX



Technical Data

Measuring Principle	Piezo resistive
Materials in Contact with Vacuum	Stainless steel 1.4305, Al ₂ O ₃ -ceramic, kalrez
Measuring Range	1050 - 1 mbar (780 - 1 Torr) admitted overload: 2 bar abs.
Resolution	1 mbar (Torr)
Accuracy	< 0,3 % f.s. (from scale)
Response Time	20 ms
Measuring Cycle	1,0 s
Operating Temperature	0 ... 40°C
Storage Temperature	-20 ... +60°C
Power Supply	Integrated 4,8 V NiMH rechargeable battery charging outside of EX area with plug-in charging adapter, max. charging voltage U _m = 28 VDC
Power Consumption	Approx. 2 mW (clocked measurement)
Operating Time	max. 100 h (battery fully charged)
Display	LCD 12 mm
Sensor Connection	Measuring cable 2m, plug 4 pole, lockable
Vacuum Connection	DN16KF, G 1/4 inside thread, hose nozzle
Protection Class	IP 40
Weight	Approx. 200 g

Article Numbers

▶ VD82EXP

Digital ATEX compact vacuum meter,
1050-1 mbar with protective case,
hose nozzle and charging adapter
230 V

▶ VD82EXUSP

As above, with charging adapter
115 V

Spare Parts:

▶ VD82CASE

Protective case with foam inlay

▶ VSC421

Sensor head for replacement

▶ VD8NEX

Charging adapter 230 V

▶ VD8NEXUS

Charging adapter 115 V

▶ VD81SW1

Hose nozzle brass, nickel-plated

Thyracont Vacuum Instruments GmbH
Max-Emanuel-Str. 10, D-94036 Passau
Phone: ++49/(0)851/95986-0; Fax: ++49/(0)851/95986-40
Internet: www.thyracont.com; E-Mail: info@thyracont.de