

HIGH-SPEED VIDEO CAMERA

NEW

CamRecord 1000



High-Speed CMOS
Camera for highest
performance

- ▶ 1000 fps at full resolution
- ▶ High resolution 1280 x 1024
- ▶ FireWire^(R) interface
- ▶ Color sensor
- ▶ Up to 4 GB internal memory
- ▶ Full frame shutter
- ▶ Easy to use software



CamRecord 1000C

HIGH-SPEED VIDEO CAMERA

Performance (Examples)

Speed	Resolution (H x V)	Video Memory: /2GB Recording Time at max. Speed	Video Memory: /4GB Recording Time at max. Speed
1000 fps	1 280 x 1 024	1.6 sec	3.2 sec
1700 fps	800 x 600	2.6 sec	5.3 sec
1750 fps	720 x 576	2.9 sec	5.9 sec
2 000 fps	1 280 x 512	1.6 sec	3.2 sec
	640 x 480	3.5 sec	7.0 sec
4 000 fps	1 280 x 256	1.6 sec	3.2 sec
	320 x 256	6.5 sec	13.1 sec
8 000 fps	1 280 x 128	1.6 sec	3.2 sec
	160 x 128	13.1 sec	26.2 sec
20 000 fps	1 280 x 50	1.7 sec	3.4 sec
	80 x 50	27.9 sec	55.9 sec
50 000 fps	1 280 x 20	1.7 sec	3.4 sec
100 000 fps	1 280 x 8	2.1 sec	4.2 sec
200 000 fps	1 280 x 4	2.1 sec	4.2 sec

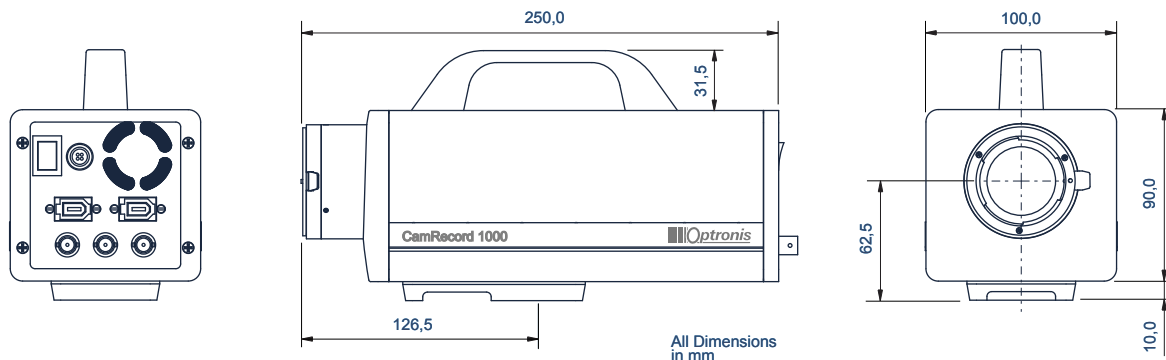
Software Options

/SDK	Software development kit
/LAB	Labview driver

Specifications

Image Sensor	CMOS color (Bayer Pattern)
Resolution	1280 x 1024 Pixel @ full resolution
Active Area / Pixel Size	15.36 mm x 12.29 mm / 12 µm x 12 µm
A/D Conversion / Dynamic	8 bit / 48dB (typ.)
Sensitivity	1600 bits / lux-second @ 550 nm (monochrome); ~ 50 ASA (color)
Shutter / Efficiency	global electronic shutter, min. 1µs exposure time / >99.9%
PIV Interframing Time	~ 200 nsec
Trigger Signal	TTL, switch, open collector, rising or falling edge, on image content variation
Synchronization	internal, external
Interface	IEEE1394a (FireWire [®])
Power	110 .. 240 V / 50..60 Hz (external AC/DC converter)
Lens Mount	F-mount (Nikon), C-mount optional
Weight	1,7 kg (typ. without lens)
Environmental Conditions	Operating temperature 0 .. 40°C; humidity < 80% relative, non-condensed
Dimensions	250mm(L) x 100mm(W) x 131,5mm(H) (without lens)

Accessories	User Software, Manual, Suitcase, FireWire Cable, Power Supply
-------------	---



The information given herein is believed to be reliable, however Optronis makes no warranties as to its accuracy or completeness. This datasheet is subject to modifications without prior notice. 04/2005