



High Resolution Miniature Color Camera

WAT-260S



option Active Visual Mate

Selection of the functional parameters can be set as desired by using the Active Visual Mate.

- High resolution : 450TVL
- Sharp image using DSP (Digital Signal Processing)
- Super miniature model ; suitable for installation in confined spaces
- Various lenses available
(Glass : f3.8, f1.9, f2.5, f6.0, f8.0, f12.0, Pinhole : f3.7)

Watec

Watec Co., Ltd.
254-2 Nihonkoku, Daihoji, Tsuruoka-Shi, Yamagata-Ken, 997-0017, Japan
TEL : +81-235-25-7164 FAX : +81-235-23-4409
E-mail : info-o@watec.co.jp URL : <http://www.watec.net>

High Resolution Miniature Color Camera

WAT-260S

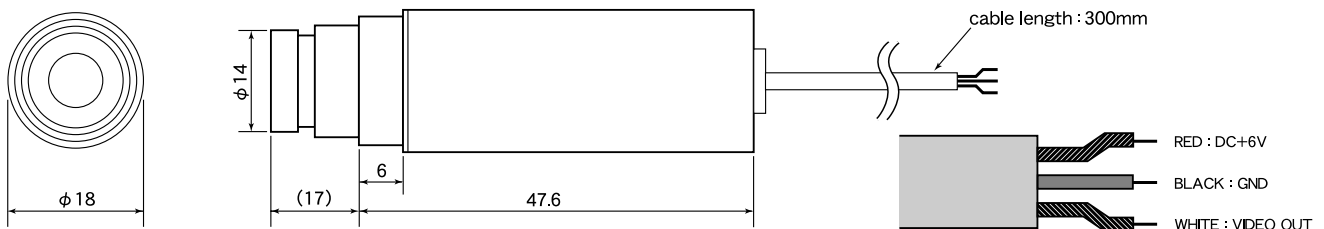
Specifications

	WAT-260S	
	NTSC	PAL
Pick-up element	1/4 inch interline transfer CCD image sensor	
Number of total pixels	768 (H) × 494 (V)	752 (H) × 582 (V)
Color filter	Cy, Ye, Mg, G complementary color filter	
Scanning system	2:1 interlaced	
Horizontal scanning frequency	15.734kHz	15.625kHz
Vertical scanning frequency	60Hz	50Hz
Synchronizing system	Internal	
Video output	Composite video, 1.0V (p-p), 75Ω (Unbalanced)	
White balance	ATW	
ATW range	2500K – 9500K	
AGC range	24dB (6 – 30dB)	
AES range	1/60 – 1/100,000 sec.	1/50 – 1/100,000 sec.
Resolution (H)	450TVL (Center)	
S/N ratio	More than 50dB (AGC OFF, γ OFF)	
Minimum illumination	1.6 lx. (F2.0)	
Gamma characteristics	$\gamma \approx 0.45$	
Back light compensation	ON	
Power supply	DC+6V (5.0 – 7.6V)	
Current	1.08W (typ)	
Operating temperature	-10°C – +40°C	
Operating humidity	Less than 95RH (Without condensation)	
Storage temperature	-30°C – +70°C	
Storage humidity	Less than 95RH (Without condensation)	
Size	φ18mm × L47.6mm + lens	
Standard lenses	G3.8mm or P3.7mm	
Cable length	300mm	
Weight	28g	

Available Lenses

	P3.7 (Standard)	G3.8 (Standard)	G1.9 (Option)	G2.5 (Option)	G6.0 (Option)	G8.0 (Option)	G12.0 (Option)
Type	Pinhole	Glass	Glass	Glass	Glass	Glass	Glass
Focal length	3.7mm	3.8mm	1.9mm	2.5mm	6.0mm	8.0mm	12.0mm
F-stop	F4.5	F2.0	F2.0	F2.0	F2.5	F2.0	F2.0
Angle of view (HXV)	54.2° × 40.6°	53° × 40°	115.2° × 83.7°	84° × 62°	34° × 25°	25° × 19°	17° × 13°

Dimensions (mm)



※Design and specifications are subject to change without notice

Watec

Watec Co., Ltd.

254-2 Nihonkoku, Daihoji, Tsuruoka-Shi, Yamagata-Ken, 997-0017, Japan

TEL : +81-235-25-7164 FAX : +81-235-23-4409

E-mail : info-o@watec.co.jp URL : http://www.watec.net



Hand-held Parameter Controller for the WAT-260S

Active Visual Mate



WAT-260S

Active Visual Mate is specifically designed for use with the WAT-260S.

■ Concept

- To improve and extend the usage of the **WAT-260S**
- To refine the **WAT-260S** into a more precise research tool
- To create a convenient and versatile **WAT-260S** by integrating **Active Visual Mate**

Watec

Watec Co., Ltd.
254-2 Nihonkoku, Daihoji, Tsuruoka-Shi, Yamagata-Ken, 997-0017, Japan
TEL : +81-235-25-7164 FAX : +81-235-23-4409
E-mail : info-o@watec.co.jp URL : <http://www.watec.net>

Hand-held Parameter Controller for the WAT-260S

Active Visual Mate

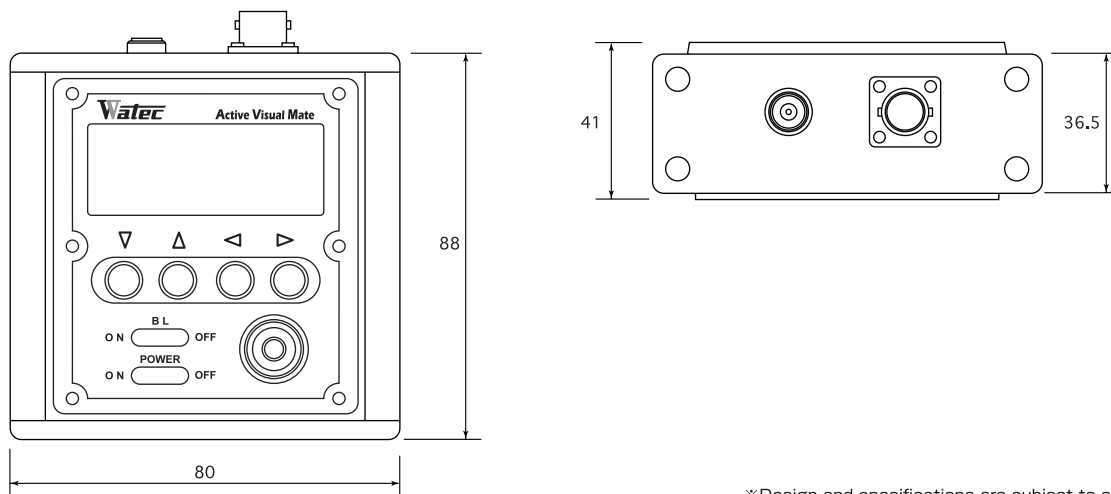
■ Functions

- ◆ AE mode control :
 - Gain : 2 settings
 1. Selectable AGC range from 6 to 30dB in 1dB steps
 2. Manual fixed gain selectable from 6 to 30dB in 1dB steps
 - Shutter speed : 2 settings
 1. EI (Minimum and maximum shutter speed range can be selected manually from OFF to 1/100000 (OFF (1/60(N) or 1/50(P)), FL (120(N) or 1/100(P)), 1/250, 1/500, 1/1000, 1/2500, 1/5000, 1/10000, 1/20000, 1/50000, 1/100000.)
 2. ES (Shutter speed can be selected manually from the above mentioned 11 settings.)
 - Back light compensation : 5 selectable area settings
 - Setup level control : control within a range of 0 to 50mV (7.5 IRE)
 - Video level selection : select either 75 IRE or 100 IRE
- ◆ White balance control : 2 settings
 1. ATW
 2. Fixed (Color temperature can be selected from 3200K, 4400K, 5100K, and 8200K. RED and BLUE gain can be finely adjusted separately.)
- ◆ NTSC/PAL auto-select
- ◆ Gamma correction : select either 0.45 or OFF
- ◆ Outline enhancer : both horizontal and vertical in 5 steps
- ◆ Color selection : select either Color or Monochrome
- ◆ Mirror image function
- ◆ Data save/delete function

■ Specifications

- ◆ Power supply : DC6V \pm 10%
Use the "AD-603" power adapter or dry cell batteries AA (×4).
- ◆ Current : about 50mA (with display back light "ON")
- ◆ Weight : 330g
- ◆ Accessory : cable (1m)

■ Dimensions (mm)



※Design and specifications are subject to change without notice.

Watec

Watec Co., Ltd.

254-2 Nihonkoku, Daihoji, Tsuruoka-Shi, Yamagata-Ken, 997-0017, Japan

TEL : +81-235-25-7164 FAX : +81-235-23-4409

E-mail : info-o@watec.co.jp URL : <http://www.watec.net>