

Industrial Monitor Redefine

DM-F Series



Flexible Video Input Selection



DM-F provides comprehensive video input from conventional analog VGA to broad bandwidth digital HDMI and DisplayPort, fulfilling different needs.



Benefits of DisplayPort

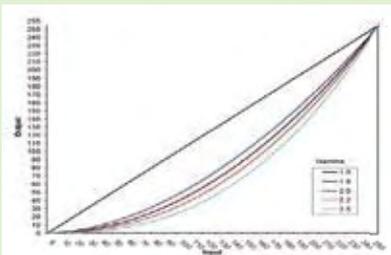
- 17.28 Gbit/s broad bandwidth for faster transmission
- 15M for 1080p 60fps long transmission distance
- Blu-ray disc content support
- Lockable cables against vibration
- Downward convertible for HDMI and DVI



Benefits of HDMI

- Single-link bandwidth to 340 MHz (10.2 Gbit/s)
- Blu-ray disc content support
- Downward convertible for DVI

Gamma Correction - Pursuit of Perfection



Gamma correction enables each panel model follow the specified look-up-table (LUT) in gamma curve doing color adjustment through software encode.

In this way, various monitors can display in an unified color by following Gamma 2.2 standard for PC products, ensuring color consistency for multiple monitor applications.



9~36V Wide Range DC Input

Power requirement varies from applications. DM-F series provides 9~36V DC input which simplifies system integration through adapter or DC source.

OSD Keypad On Back

In order to keep the front simple and clean, DM-F series put membrane keypad on the back, which can also avoid user adjust the setting accidentally.



Cable Cover For Neat Cabling

DM-F series provides optional cable cover, helping users to collect cable neatly.



SmartOSD Remote Monitor Adjustment

Asides from physical membrane keypad, IEI also provides smartOSD software application helping users to adjust monitor color settings and power management setting from PC control terminal.



Monitor Select

Selects the monitor unit for which the system parameters will be adjusted

Settings Saving

Saves the referred settings of all the OSD functions as .dat files and load the settings

Power Management

Set up power cycle schedule to save power

DM-F Series

12.1"~24" DM-F IP65 Industrial Monitor

New

Features

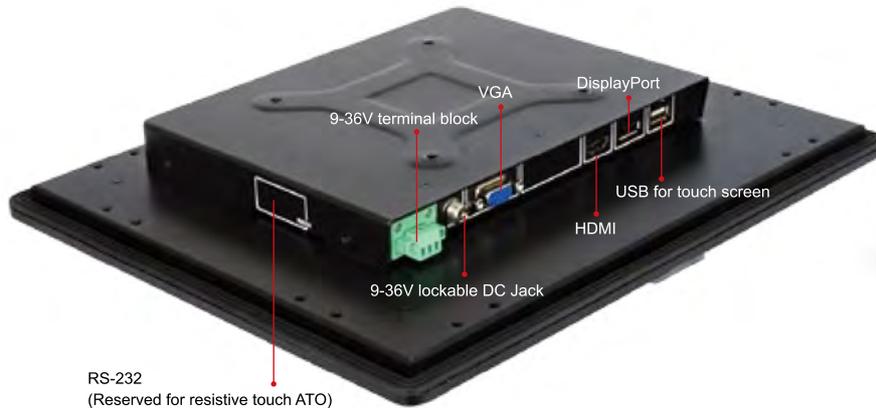
- Robust IP65 aluminum front bezel
- Aesthetic ultra-thin bezel for seamless panel mount installation
- Wide range 9V~36V DC input
- HDMI/DisplayPort/VGA Flexible video input solution
- Projective capacitive multi-touch/ resistive single touch options



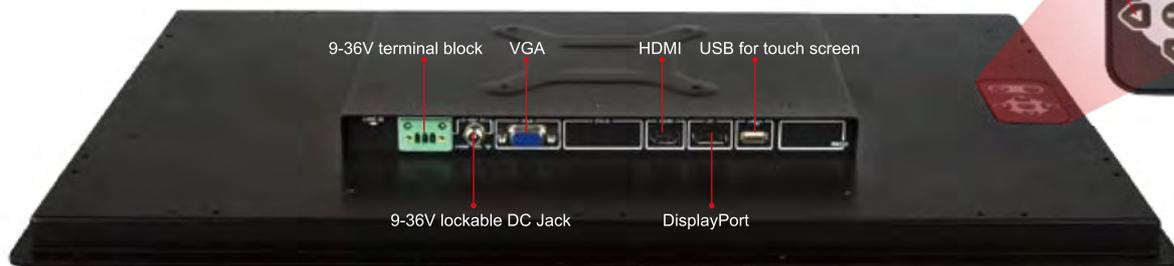
Specifications

Model		DM-F12A	DM-F15A	DM-F17A	DM-F22A	DM-F24A
LCD	LCD Display	12" (4:3)	15" (4:3)	17" (5:4)	21.5" (16:9)	24" (16:9)
	Max Resolution	1024(W) x 768(H)	1024(W) x 768(H)	1280(W) x 1024(H)	1920(W) x 1080(H)	1920(W) x 1080(H)
	Brightness (cd/m ²)	500	400	350	250	250
	Contrast Ratio	700 : 1	700 : 1	1000 : 1	1000 : 1	3000 : 1
	LCD Color	16.2M	16.2M	16.7M	16.7M	16.7M
	Pixel Pitch (mm)	0.24 x 0.24	0.29 x 0.29	0.26 x 0.26	0.25 x 0.25	0.28 x 0.28
	Viewing Angle (H-V)	160° /140°	160° / 140°	170° / 160°	170° / 160°	178°/178°
	Backlight MTBF (Hrs)	50000	50000	50000	30000	30000
Touchscreen & Controller		Resistive type 5-wire flat touch window/ Penmount 6000 Projected capacitive flat touch window/ EETI EXC7200			Projected capacitive flat touch window/ EETI EXC7200	Projected capacitive flat touch window/ EETI EXC3000
I/O Ports		1 x VGA (DB-15) 1 x HDMI 1 x Display Port 1.1 1 x USB 2.0 (Touch) 1 x RS-232 (Touch)[Reserved for resistive touch ATO] 1 x Lockable 9-36V DC jack 1 x 9-36V Terminal Block				
OSD	OSD Button	1 x 7 key membrane OSD keypad				
	Smart OSD Software	Smart OSD Software				
Physical	Construction Material	Aluminum front cover and sheet metal rear cover				
	Mounting	Panel Mount/ Rack Mount/ 100*100 VESA Mount				
	Enclosure Color	Black C				
	Dimensions (mm)	262.2 x 322.2 x 40.5	303 x 378.5 x 43.2	341.4 x 408.4 x 49.3	350.4 x 550.4 x 49.1	382 x 600 x 49.4
	Cutout Dimensions (mm)	234.8 x 303.8	284.6 x 68.1	323 x 398	340 x 532	358.6 x 578.6
	Weight (Net)	2.7	3.5	4.4	6.3	7.8
Environment	Operating Temperature (with air flow)	-10°C ~ 50°C				
	Storage Temperature	-20°C ~ 60°C				
	Humidity	10% to 95% (non-condensing)				
	IP Level	Front IP 65				
	Safety and EMC	CE & FCCcertified				
Power	Power Adapter	63040-010060-040-RS 12V 60W with lock				
	Power Input	9~36V DC				

DM-F12A/15A/17A



DM-F22A/24A



Options

Item	DM-F12A	DM-F15A	DM-F17A	DM-F22A	DM-F24A
ARM	ARM-11-RS	ARM-31-RS	ARM-31-RS	ARM-31-RS	ARM-31-RS
Stand	STAND-A12-RS	STAND-A19-RS STAND-B19-RS	STAND-C19-RS STAND-A21-R10	STAND-C19-RS STAND-A21-R10	STAND-C19-RS STAND-A21-R10
Wall Mount Kit	WK-190MS-R10				
Panel Mount Kit	FPK-01-R10			FPK-02-R10	FPK-03-R10
Rack Mount Kit	FRK12-R10	FRK15-R10	FRK17-R10	N/A	
Cable Cover	N/A	DM-F-CC01-R10		DM-F-CC02-R10	
RS-232 Touch Cable Kit	DM-F-COMKIT-R10				
HDMI Cable	32012-000100-200-RS				
Display Port Cable	32004-000200-100-RS				

Packing List

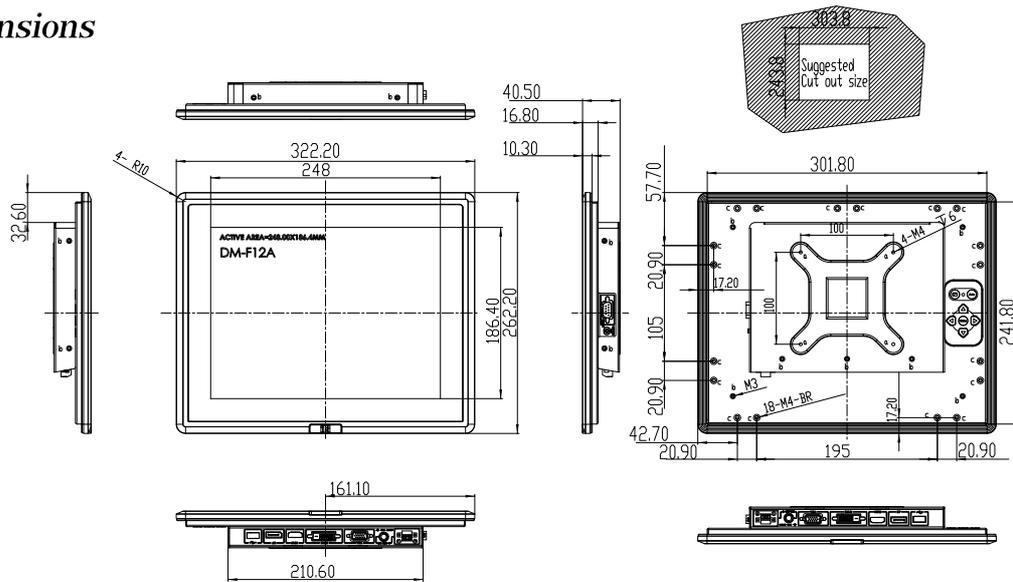
Item	P/N	Q'ty	Description
Utility CD		1	Drivers and user manual
Power Adapter	63040-010060-040-RS	1	60W 12V DC adapter with lock
Power Cord		1	Depends on shipping region
Touch Pen	43125-0002C0-00-RS	1	Resistive touch only
USB Cable	32001-006100-100-RS	1	For touch screen
VGA Cable	32000-036200-RS	1	

Ordering Information

PN	Description
DM-F12A/R-R10	12" 600 cd/m ² XGA LCD monitor, Aluminum front panel, Black color, W/ USB resistive touch screen, 9 ~36V DC input, R10
DM-F12A/PC-R10	12" 600 cd/m ² XGA LCD monitor, Aluminum front panel, Black color, W/ USB projected capacitive touch screen, 9 ~36V DC input, R10
DM-F15A/R-R10	15" 400 cd/m ² XGA LCD monitor, Aluminum front panel, Black color, W/ USB resistive touch screen, 9 ~36V DC input, R10
DM-F15A/PC-R10	15" 400 cd/m ² XGA LCD monitor, Aluminum front panel, Black color, W/ USB projected capacitive touch screen, 9 ~36V DC input, R10
DM-F17A/R-R10	17" 350 cd/m ² SXGA LCD monitor, Aluminum front panel, Black color, W/ USB resistive touch screen, 9 ~36V DC input, R10
DM-F17A/PC-R10	17" 350 cd/m ² SXGA LCD monitor, Aluminum front panel, Black color, W/ USB projected capacitive touch screen, 9 ~36V DC input, R10
DM-F22A/PC-R10	21.5" 250 cd/m ² FHD LCD monitor, Aluminum front panel, Black color, W/ USB projected capacitive touch screen, 9 ~36V DC input, R10
DM-F24A/PC-R10	24" 250 cd/m ² FHD LCD monitor, Aluminum front panel, Black color, W/ USB projected capacitive touch screen, 9 ~36V DC input, R10

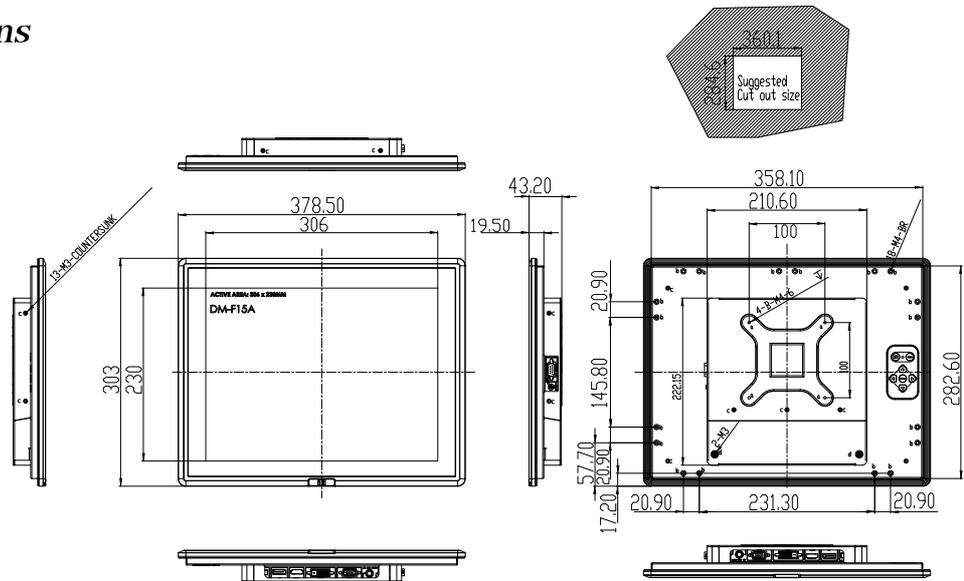
DM-F12A Dimensions

(Unit: mm)



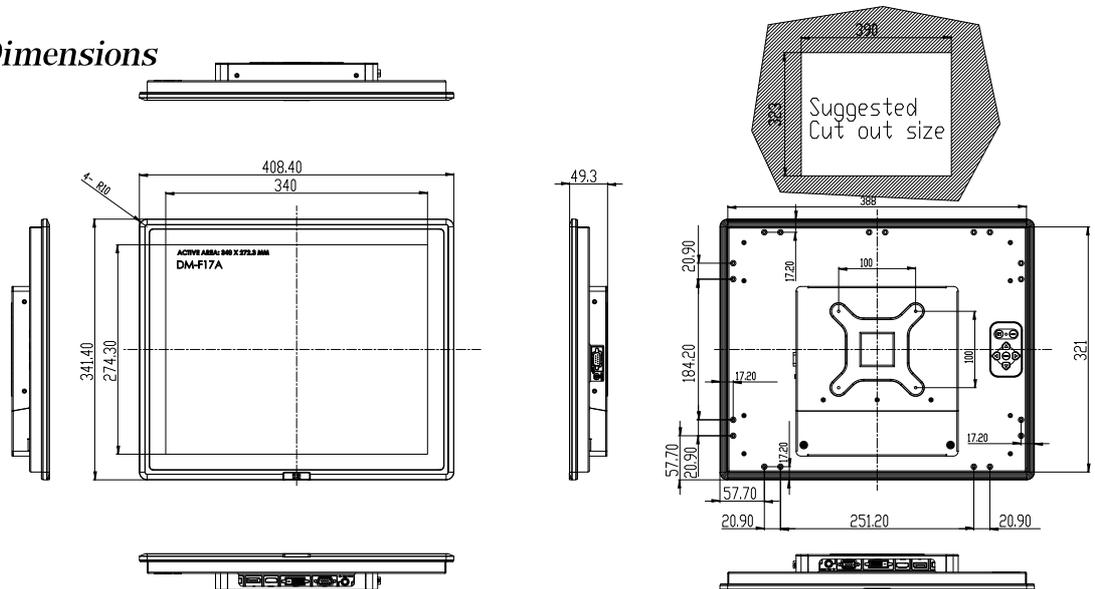
DM-F15A Dimensions

(Unit: mm)



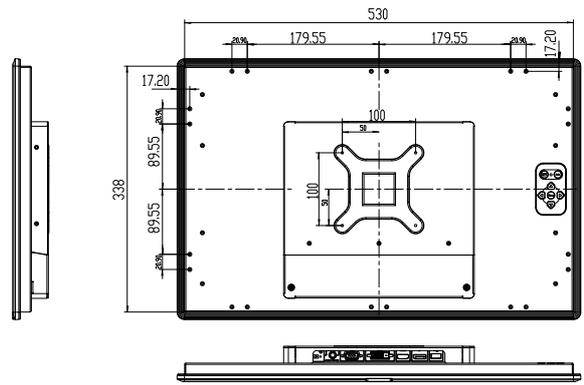
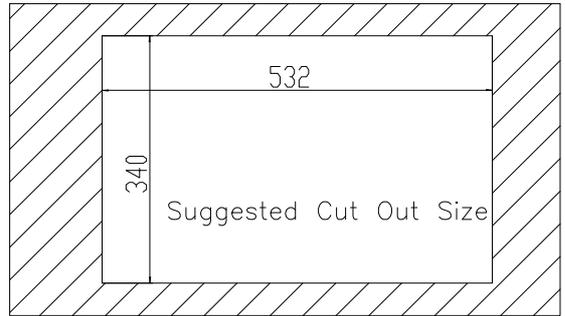
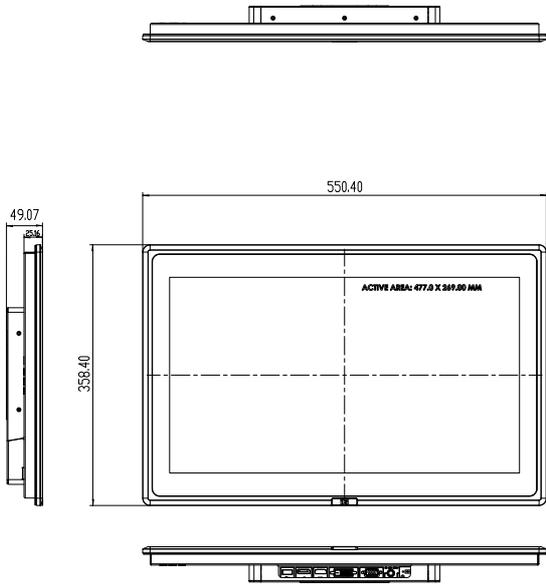
DM-F17A Dimensions

(Unit: mm)



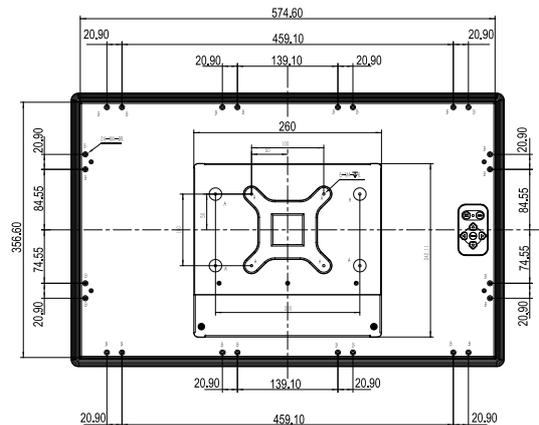
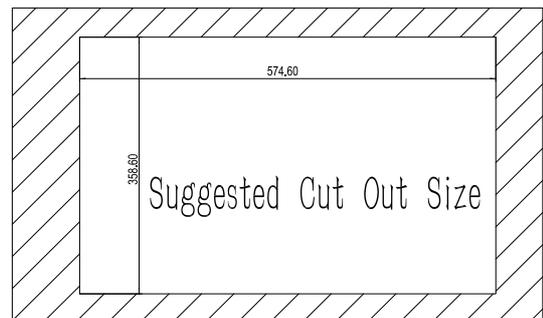
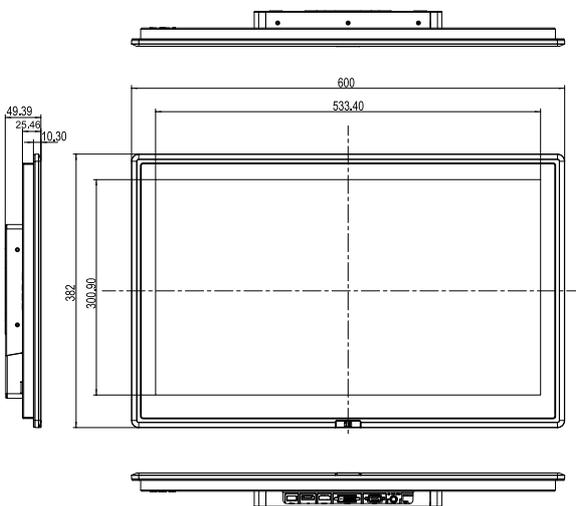
DM-F22A Dimensions

(Unit: mm)



DM-F24A Dimensions

(Unit: mm)



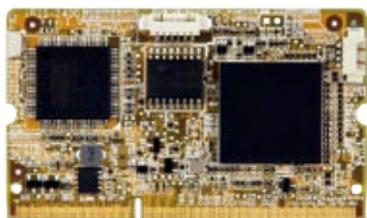
Intelligent Industrial Panel PC

PPC-F Series



IEI Remote Intelligent Management System

PPC-F supports iEi iRIS remote management, helping users to manage multiple devices through single management interface, elevating work efficiency. iRIS solution only requires a module and internet connection!



iRIS solution



QNAP NAS

Complete IoT Solution!



Remote Power Management

Users can remote control all the iRIS devices power on/off and set up power cycle, simplify power control process.

ON

OFF

Unify industrial automation process through simple setting!

24 Hours Active Recovery

Remote troubleshooting everywhere, no need to send out maintenance staff anymore!



Automatic Error Alert

System sends alert by email/SMS to designated members when error happens



Automatic Error Alert

Real-time record main screen video for trouble diagnosis



Automatic Error Alert

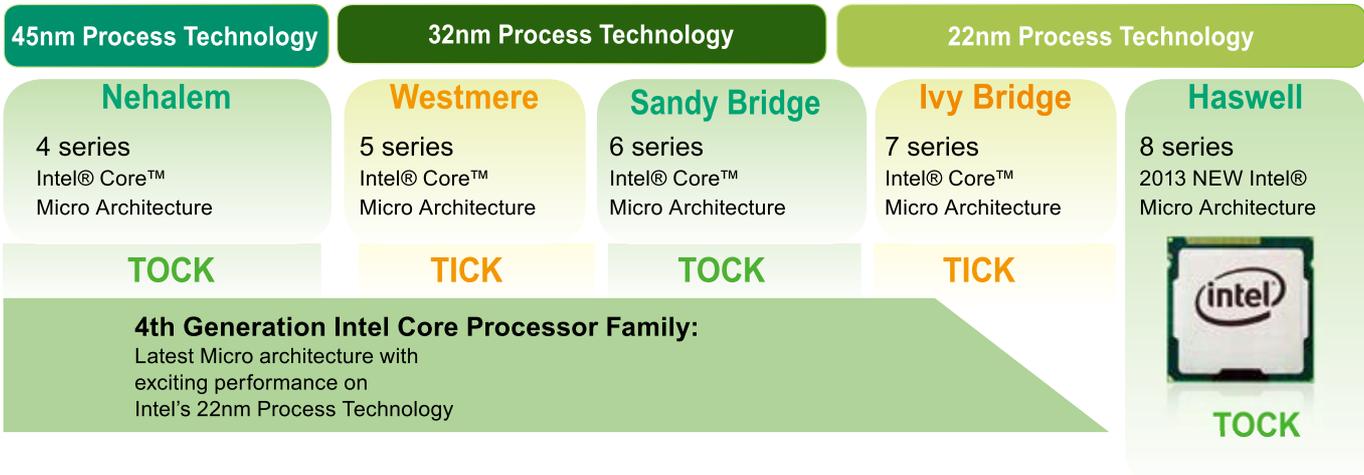
Maintainers can troubleshoot the error through remote KVM

Minimize downtime and improve service quality for Kiosk, ticket machine applications!



Latest Intel® Cost Effective Mainstream H81 Platform

Platform Transition



Major Advantage of PPC-F H81 Platform

More Embedded CPU Choice

Intel selects more embedded CPUs in Haswell generation, including 35W/45W/54W/65W for PPC-F H81 platform. It is more flexible to choose suitable CPU for different system requirements.



2.5" SATA 3.0 HDD/SSD

SATA 3.0 support

PPC-F series introduce latest SATA 3.0 interface, supporting bandwidth up to 6Gb/s which is twice faster than SATA 2.0! Both 2.5" SATA HDD and SSD can use SATA 3.0 interface.



PCIe Mini Card Expansion

PPC-F reserves 2 full size PCIe mini card expansion, with wide variety of IEI PCIe mini card solution, it is flexible and easy to add extra functions on the system.



WIFI-RT5392-SB-R10
WIFI-RT3593-DB-R10



MPCIE-LAN-R10



MPCIE-3G-R10



MPCIE-USB3-R10



IVCME-C604

FHD Industrial Panel PC Available

Going big is the market trend on industrial panel PC and monitor products, IEI launches new PPC-F series industrial panel PC along with DM-F monitor series. Users can enjoy high quality graphic and more data display at the same time from FHD panels.

