

**PPC-3708A-N26**

8" IP65 Heavy Industrial Panel PC

**PPC-3710A-N26**

10.4" IP65 Heavy Industrial Panel PC

**PPC-3712A-N26**

12" IP65 Heavy Industrial Panel PC



**Features**

- Intel® Atom™ N2600 dual-core processor 1.6GHz
- Support DDR III 800MHz up to 2GB
- Optional mini PCIe 802.11b/g/n wireless module
- Dual video output: VGA & HDMI
- Optional slim type CD-ROM drive bay
- IP 65 compliant front panel
- Wide range 9~28V DC input\*
- IEI One Key Recovery solution

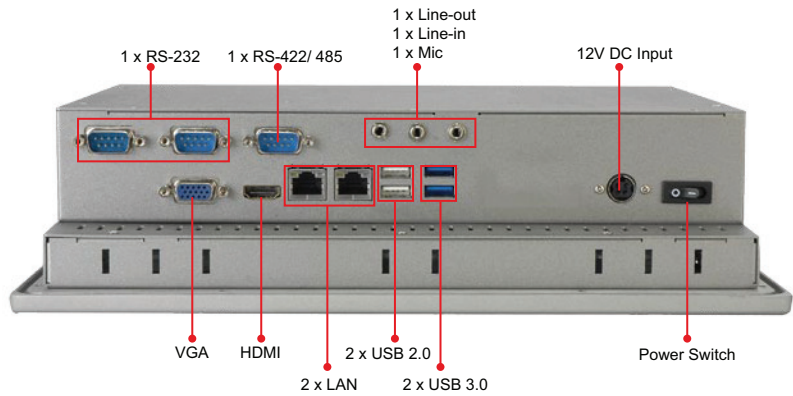
\* Default 12V/ 19V/ 24V adapter, for other power input source, please contact IEI sales team.



**Specifications**

Model	PPC-3708A-N26	PPC-3710A-N26	PPC-3712A-N26	
Display	LCD Size	8.4 "	10.4 "	12.1 "
	Max Resolution	800(W) x 600(H)	800(W) x 600(H)	1024(W) x 768(H)
	Brightness (cd/m <sup>2</sup> )	450	400	500
	Contrast Ratio	600:1	700:1	700:1
	LCD Color	262K	262K	262K
	Pixel Pitch (mm)	0.213(H) x 0.213(V)	0.264(H) x 0.264(V)	0.3075(H) x 0.3075(V)
	Viewing Angle (V-H)	140°/160°	140°/160°	160°/160°
	Backlight MTBF (hrs)	50000 (LED Backlight)		
Motherboard	SBC Model	NANO-CV-N26001-R10		
	CPU	Intel® Atom™ N2600 dual-core processor 1.6GHz		
	Chipset	Intel® NM10		
	RAM	1 x 200-pin SO-DIMM socket, supporting DDRIII 800MHz modules for up to 2GB		
I/O Ports and Switches	2 x RS-232	2 x RS-232	2 x RS-232	
	1 x RS-422/485	1 x RS-422/485	1 x RS-422/485	
	2 x RJ-45 for LAN Port	2 x RJ-45 for LAN Port	2 x RJ-45 for LAN Port	
	2 x USB 3.0	2 x USB 3.0	2 x USB 3.0	
	2 x USB 2.0	2 x USB 2.0	2 x USB 2.0	
	1 x HDMI	1 x HDMI	1 x HDMI	
	1 x VGA Port	1 x VGA Port	1 x VGA Port	
	1 x Line-in, Line-out, Mic-in	1 x Line-in, Line-out, Mic-in	1 x Line-in, Line-out, Mic-in	
	1 x 12VDC input Power Jack	1 x 12VDC input Power Jack	1 x 12VDC input Power Jack	
	1 x Power Switch	1 x Power Switch	1 x Power Switch	
Driver Bay	HDD Driver Bay	1 x 2.5 SATA HDD Bay		
	SSD	1 x mSATA (optional)		
	CD-ROM Driver Bay	N/A	N/A	Slim Type CD-ROM Bay
Wireless	IEEE 802.11b/g/n 2T2R mode WLAN via internal PCIe Mini card interface (optional)			
Extension Slot	1 x PCIe mini card	1 x PCIe mini card	1 x PCIe mini card	
Physical	Construction Front Panel	Aluminum Die-casting		
	Construction Chassis	Heavy-duty Steel (SECC)		
	Mounting Front Panel Color	Panel, Wall, Rack, Stand and Arm VESA 100mm x 100mm		
	Dimension (WxHxD) (mm)	244 x 175 x 86.5	311 x 242 x 77.8	340 x 260 x 74.8
	Net Gross Weight	2.2Kg/ 4.4Kg	3.4Kg/ 5.8Kg	6Kg/ 8Kg
	Operation Temperature (°C) (Ambient with air flow)	-10°C ~ 50°C	-10°C ~ 50°C	-10°C ~ 50°C
	Environment Storage Temperature (°C)	-20°C~60°C		
	Humidity	10% to 95% (non-condensing)		
	Vibration	5~17Hz, 0.1 double amplitude displacement 17~640Hz 1.5G acceleration peak to peak		
	Shoock	10G acceleration part to part (11ms)	10G acceleration part to part (11ms)	10G acceleration part to part (11ms)
Touch Screen	Resistive Type 4-Wire with RS-232 interface	Resistive Type 5-Wire with RS-232 interface	Resistive Type 5-Wire with RS-232 interface	
Power Supply	Power Adapter	P/N: 63040-010060-050-RS 60W Power Adapter Input: 90VAC~264VAC, 50/60Hz Output: 12VDC	P/N: 63040-010060-050-RS 60W Power Adapter Input: 90VAC~264VAC, 50/60Hz Output: 12VDC	P/N:63040-010060-050-RS 60W Power Adapter Input: 90VAC~264VAC, 50/60Hz Output: 12VDC
	Power Requirement	9~28VDC	9~28VDC	9~28VDC

## Fully Integrated I/O



## Ordering Information

Part No.	Description
PPC-3708A-N26/R/2G-R10	8.4" 450 cd/m <sup>2</sup> SVGA Panel PC with Intel® Atom™ N2600 1.6GHz processor, 2GB DDR3 RAM, and touch screen, 9~28VDC input, RoHS
PPC-3710A-N26/R/2G-R10	10.4" 400 cd/m <sup>2</sup> SVGA Panel PC with Intel® Atom™ N2600 1.6GHz processor, 2GB DDR3 RAM, and touch screen, 9~28VDC input, RoHS
PPC-3712A-N26/R/2G-R10	12.1" 500 cd/m <sup>2</sup> XGA Panel PC with Intel® Atom™ N2600 1.6GHz processor, 2GB DDR3 RAM, and touch screen, 9~28VDC input, RoHS

## Packing List

Item	Part No.	Description
Screw Kit	19600-000205-RS	
Power Cord	19A00-000023-00-RS	EUROPEAN Standard , 1830MM, PLUG(16A 250V), CONNECTOR (10A 250V)
Power Adapter	63040-010060-050-RS	60W Power Adapter, Input: 90VAC~264VAC, 50/60Hz, Output: 12VDC
Panel Mount Kit	19Z00-000026-RS	
Wall Mount Kit	41014-057602-00-RS	ULTRA SET PLATE
	41020-016102-00-RS	WALL MOUNT BRACKET
IEI One Key Recovery CD	IEI-7B000-000478-RS	
Touch Pen		
User's Manual CD-ROM		

## IQ Mounting Options

Item	P/N
Rack Mount Kit	RK-084MS-R10 (for PPC-3708A series)
	RK-104MS-R10 (for PPC-3710A series)
	RK-121MS-R10 (for PPC-3712A series)
ARM	ARM-11-RS
STAND	STAND-100-RS

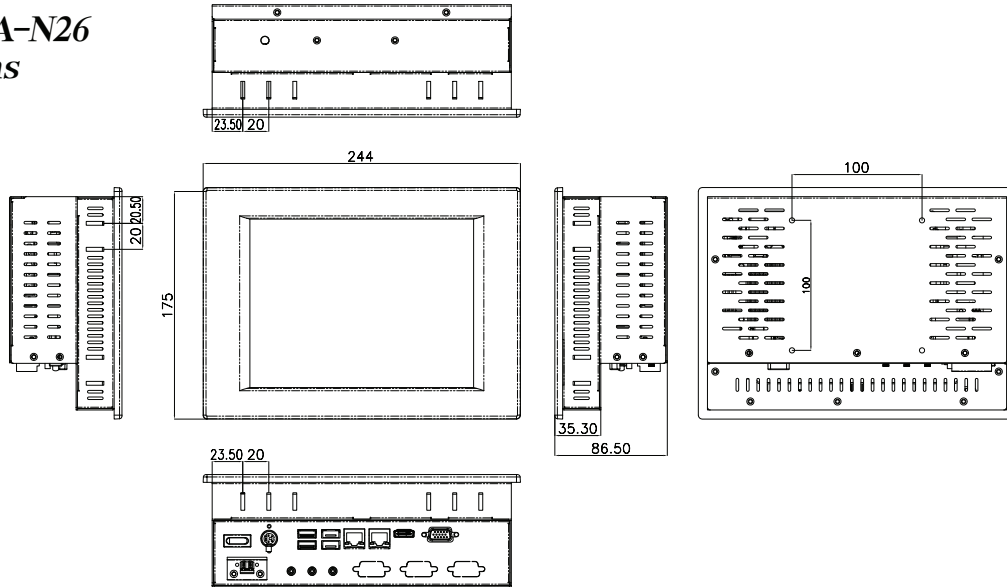
## Options

Part Number	Description
PPC-WL-KIT02-R10	Wi-Fi module with RF cable and antenna, 2T2R, 802.11 b/g/n for PPC-37xxA-N26 series
73400-AD7760H01-RS	Slim type SATA DVD-ROM, PPC-3712A-N26 only

**PPC-3708A-N26**

**Dimensions**

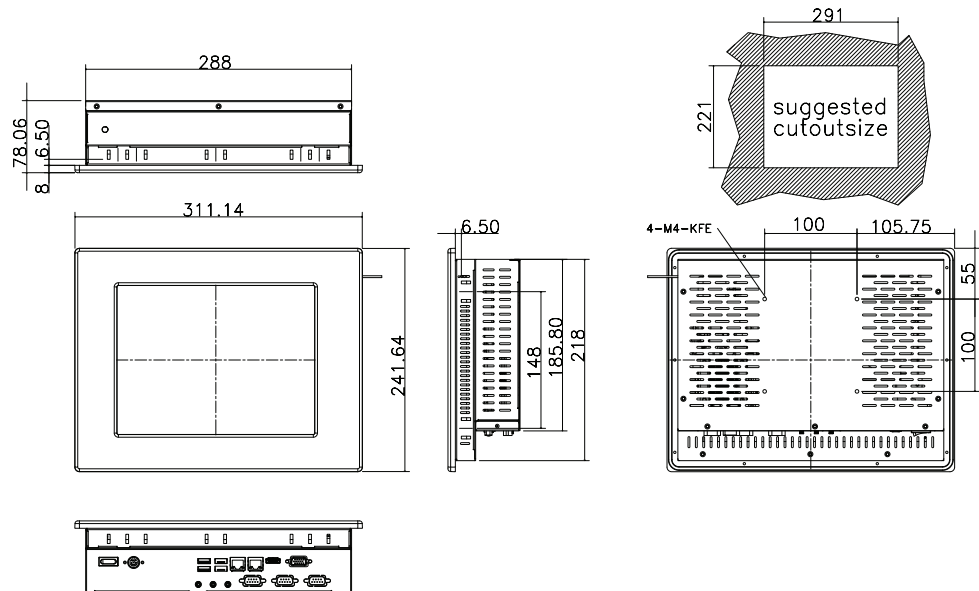
(Unit: mm)



**PPC-3710A-N26**

**Dimensions**

(Unit: mm)



**PPC-3712A-N26**

**Dimensions**

(Unit: mm)

