

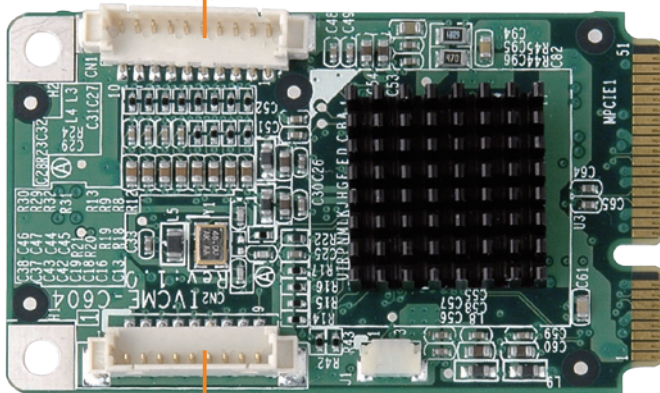
IVCME-C604

PCIe Mini video/ audio capture card with 4-channel video/ audio input, total 120fps@D1 for 4 channels (NTSC)



New

Video/Audio Input Connector (CN1)



GPIO Connector (CN2)

Features

- Single card 4-channel composite video (NTSC/PAL) solution
- PCIe Mini card interface supported
- Compatible with Linux, Windows® XP and Windows® 7 (32-bit and 64-bit)
- Total 120fps @ D1 for 4 channels (NTSC)
- External GPIO daughter board with 4 inputs and 4 outputs (optional)
- SDK available for customer to create customized applications



Specifications

Interface

| | |
|------------------|--|
| Video Input | 4 channels composite video NTSC/PAL auto sensing |
| Video Input Type | BNC (BNC to DB-9 cable included) |
| Audio Input | 4 channels analog |
| Audio Input Type | RCA (RCA to DB-9 cable included) |
| Bus Interface | PCIe Mini x1 |
| Alarm IO | Yes |

Video Processing

| | | |
|-------------------|--|-----------|
| Video Compression | Software compression | |
| Video Engine | 1 x Conexant CX25854 | |
| Resolution | NTSC: | PAL: |
| | 720 x 576 | 720 x 576 |
| | 720 x 480 | 720 x 480 |
| | 720 x 288 | 720 x 288 |
| | 720 x 240 | 720 x 248 |
| Frame Rate | NTSC: Total 120fps @ D1 for 4 channels | |
| | PAL: Total 100fps @ D1 for 4 channels | |

Audio Processing

| | |
|-------------------|---------------------------------------|
| Audio Compression | Software compression |
| Sampling Rate | 8kHz, 16kHz, 32kHz, 44.1kHz and 48kHz |
| Quantization | 16-bit |

Functionality

| | |
|----------------------|----------------------|
| Video Loss Detection | Yes |
| On-screen Display | Yes |
| Motion Detection | Yes (hardware spec.) |

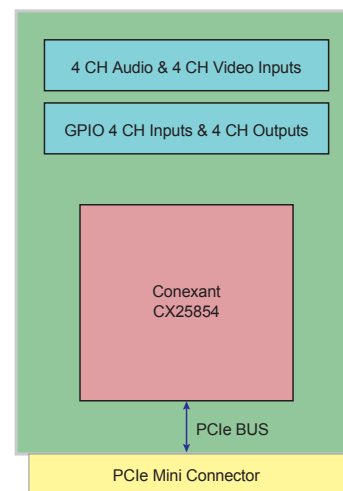
System Requirement

| | |
|--------|----------------------------|
| System | x86 PC compatible computer |
| Memory | 512MB or above |

Others

| | |
|-----------------------|----------------------------|
| Dimensions | 51 mm x 30 mm |
| Operating Temperature | 0°C ~ 60°C, non-condensing |
| Power Consumption | 1.65W (3.3V@0.5A) |

System Block



Video/Audio Input Connector (CN1)

| Pin No. | Signal |
|---------|--------------|
| 1 | GND |
| 2 | Video In CH1 |
| 3 | Video In CH2 |
| 4 | Video In CH3 |
| 5 | Video In CH4 |
| 6 | Audio In CH1 |
| 7 | Audio In CH2 |
| 8 | Audio In CH3 |
| 9 | Audio In CH4 |
| 10 | GND |

GPIO Connector (CN2)

| Pin No. | Signal |
|---------|--------|
| 1 | GND |
| 2 | DI1 |
| 3 | DI2 |
| 4 | DI3 |
| 5 | DI4 |
| 6 | DO1 |
| 7 | DO2 |
| 8 | DO3 |
| 9 | DO4 |

Packing List

- 1 x IVCME-C604 capture card
- 1 x BNC to DB-9 cable
- 1 x RCA to DB-9 cable
- 1 x Video/Audio input cable kit
- 1 x Utility CD
- 1 x QIG



Ordering Information

| Part No. | Description |
|---------------------|---|
| IVCME-C604-R10 | PCIe Mini video/audio capture card with 4-channel video/ audio input, total 120fps@D1 for 4 channels (NTSC) |
| VIOCARD-GPIO-RS-R10 | 8 GPIO channels (4 digital inputs and 4 relay outputs) |
| 32225-002200-100-RS | GPIO card to IVC capture card connection cable |