

# WMP-226

## 21.5" Core-i Medical AIO Panel PC



### Features

- Seamless on the front side
- Smooth & Easy wipe surfaces
- IP65 at front side, IPX1 for whole system
- 21.5" (1920X1080)
- Intel® Core™ I processor
- Support PCI-E x 16 (or PCI)
- Support Mini PCI-E expansion
- HDD Anti-vibration mechanism
- Anti-bacteria (MRSA) plastic housing
- Anti-bacteria (MRSA) touch screen (option)
- Built-in 15 min UPS function (option)



### Specifications

#### System

<b>CPU</b>	Intel® socket rPGA988B Core™ i5-2410M (3M Cache, 2.30 GHz) 35W Intel® socket rPGA988B Core™ i3-2350M (3M Cache, 2.30 GHz) 35W Intel® socket PGA988 Celeron™ B810 (2M Cache, 1.60 GHz) 35W
<b>Chipset</b>	Intel® BD82HM65 PCH Intel® BD82QM67 PCH (option, by project)
<b>VGA</b>	Intel® integrated HD Graphics 3000
<b>Audio</b>	Realtek ALC268 Audio Codec, 2+2 watts power amplifier
<b>LAN</b>	Marvell 88E8071 Giga LAN x 2 ** Isolate LAN design in, by project
<b>Memory</b>	Two 1066/1333 MHz DDR3 SODIMM socket support dual Channel, non-ECC, up to 8GB
<b>I/O</b>	EC
<b>Serial ATA</b>	SATA 2, 300 MB/s transfer rate x 2, 2nd SATA connector for SATA DOM propose.
<b>Serial port</b>	RS232, 422, 485 x 1 / RS232 x 5 ** Isolate COM design in, by project
<b>USB</b>	External USB 2.0 x 4 (Type A) Internal 3.3V Socket x 3 (For Webcam & Blue tooth) 5V Pin Head x 4 (for RFID, smart card reader, MSR, barcode reader) ** Isolate USB design in, by project
<b>WDT</b>	Generates system reset; 256 segments, 0, 1, 2...255 sec/min.
<b>Speaker output</b>	1.5Wx2

#### LCD and Touch

<b>Panel</b>	21.5" 1920 x 1080 resolution(Full HD)
<b>Touch</b>	Full flat 5 wire resistive single touch sensor

#### Storage

HDD 2.5" SATA HDD

#### Expansion slots

**PCI/PCI-E** PCI-E x 16 expansion slot x 1  
Or PCI 2.2 slot x 1  
**Mini-PCIe** 52 pin card-edge type compatible to PCI Express\*Base specification 2.0 x 2

#### External I/O

**USB** USB 2.0 x 4  
**COM** RS232 x 1, RS232/RS422/RS485 x 1  
**LAN** RJ-45 x 2 (Gigabit Ethernet)  
**Audio** 3.5mm phone jack connector \* 2 ( Line-out, and Mic-in)  
**DVI output** DVI-I x 1

#### Power

**Mother board Power input** DC 6~32V input  
**AC DC Power adapter** AC input 90 ~ 264V / 47 ~ 63 Hz / DC output 12V  
**Built-in** 15 min UPS function (option)

#### Mechanical & Environmental

**Material construction** Plastic/White(Mixed with Anti-bacteria Material)  
**Operation Temperature** 0~40°C  
**Storage Temperature** -20~60°C  
**Operation Relative Humidity** 10 ~ 90%, non-condensing  
**Storage Relative Humidity** 10 ~ 90%, non-condensing  
**Net Dimensions** 540 (H) x 375 (V) x 78 (T) (mm x mm x mm)  
**Net Weight** 6.7Kg  
**IP Rating** IP65 at front side // IPX1 whole system.  
**Anti-bacteria housing** MRSA protect  
**Kensington Lock Hole** One at bottom  
**Mounting** VESA 75 x 75, 100 x 100

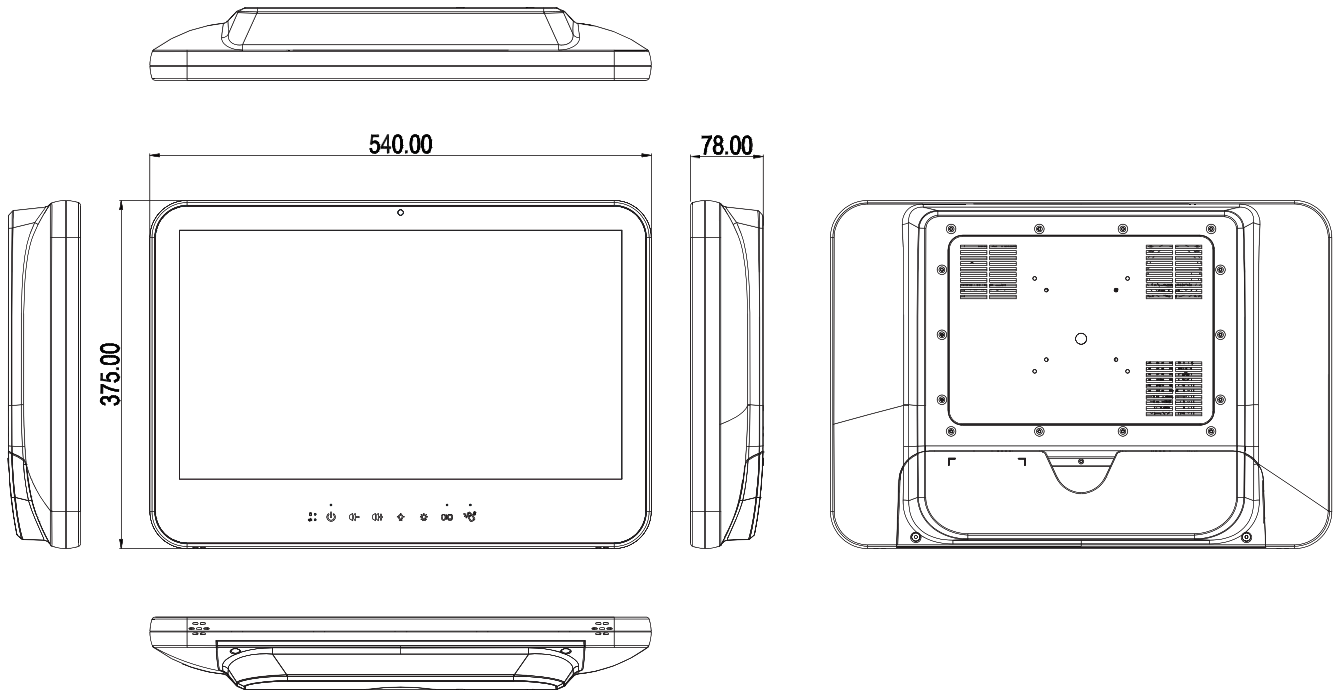
#### Regulatory

- UL/CUL 60601-1 version 3, FCC/VCCI class B / EN 60601-1 / EN60601-1-2
- Energy Star

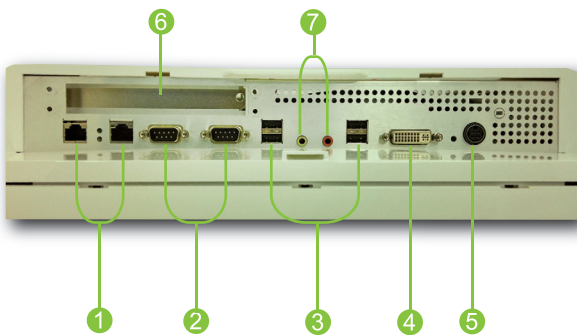
# WMP-226

21.5" Core-i Medical AIO Panel PC

## Drawing



## Fully-integrated I/O



- 1 Giga LAN x 2
- 2 RS232 x 2
- 3 USB x 4
- 4 DVI
- 5 Power
- 6 PCI or PCI-E
- 7 Line-in Line-out

## Configuration

- 1. WMP-226-IR0E0; Core i5-2410M 2.30GHz, DDR3 1G RAM, SATA 160G HDD, Full flat resistive touch, PCI-Ex16

## Options

- 1. 802.11 a/b/g/n WLAN module
- 2. Bluetooth 2.1 module
- 4. Video Graphic card
- 5. 2M pixel webcam module
- 6. Anti-bacteria (MRSA) touch screen
- 7. Built-in 15 min UPS function battery
- 8. RFID (by project)
- 9. Isolated external isolation 422/485 x 1, 232 x 2 connectors (by project)
- 10. Isolated external isolation USB connector x 1 (by project)
- 11. Isolated external isolation LAN connector x 1 (by project)
- 12. Smart card reader (by project)
- 13. 1D or 2D barcode scanner + 1 USB external IO (by project)
- 14. VOIP phone + mounting kit (by project)
- 15. MSR + mounting kit (by project)
- 16. 2 storage RAID 0,1 (by project)