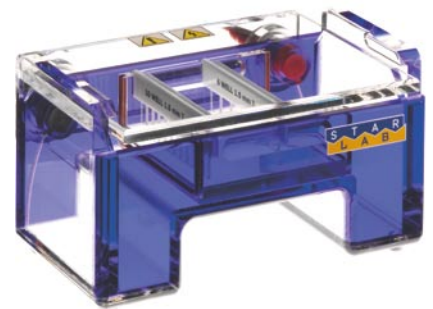


New!

ELECTROPHORESIS

Electrophoresis Equipment



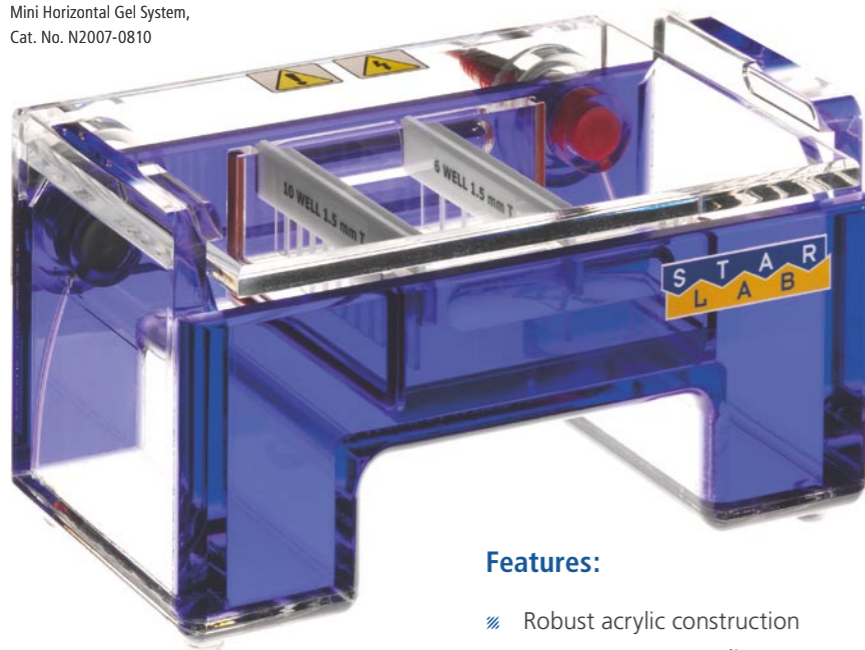
StarPhoresis

Horizontal and Vertical Electrophoresis
Units, Electro Blotters, Power Supplies.



StarPhoresis Mini and Wide Mini Gel Horizontal Systems

Mini Horizontal Gel System,
Cat. No. N2007-0810



Features:

- ▄ Robust acrylic construction
- ▄ UV-transparent acrylic
- ▄ Safety lid
- ▄ Gasketed gel tray
- ▄ Various comb slot configurations
- ▄ Optional casting accessories
- ▄ 36-month warranty

Small and quick!

STARLAB's new StarPhoresis Mini Gel Systems offer a range of commonly used Mini Gel and Wide Mini Gel formats for the quick separation and analysis of nucleic acids on smaller agarose gels. The units are equipped with a safety lid and gasketed gel trays for direct casting of gels in the tray (except N2023-1410).

Combs are available in 1.0 mm and 1.5 mm thicknesses, in a microtitre format, and in a variety of tooth configurations to accommodate a variety of sample quantity and volume.

A range of casting accessories make these units suitable for all research laboratories and the high quality acrylic construction will withstand daily use without breakage, warping or leakage.

StarPhoresis

Specification for StarPhoresis Mini Gel Horizontal Systems

Cat. No.	Product Description	Comb Specification	Gel Dimensions	System Dimensions (L x W x H)	Maximum Voltage	Maximum Sample Capacity	Max. Samples, Full Length	Max. Buffer Volume
N2007-0810	Mini Horizontal 7 x 8 cm Gel System, incl. Gel Tray with 2 Comb Slots, 2 Combs	1.5 mm thickness, 6 and 10 teeth	7 x 8 cm	17.6 x 12 x 9.5 cm	150 V	24	12	400 ml
N2009-1110	Mini Horizontal 9 x 11 cm Gel System, incl. Gel Tray with 2 Comb Slots, 2 Combs	1.5 mm thickness, 10 and 14 teeth	9 x 11 cm	22 x 15 x 9.5 cm	150 V	28	14	600 ml
N2012-1410	Mini Horizontal 12 x 14 cm Gel System, incl. Gel Tray with 4 Comb Slots, 2 Combs	1.5 mm thickness, 12 and 20 teeth	12 x 14 cm	24.5 x 18 x 9.5 cm	150 V	50	24	800 ml

Specification for StarPhoresis Wide Mini Gel Horizontal Systems

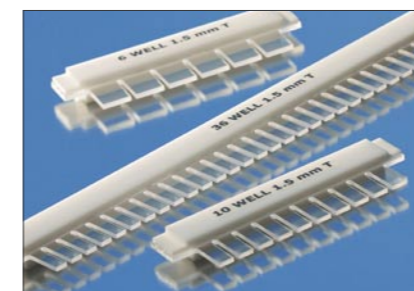
Cat. No.	Product Description	Comb Specification	Gel Dimensions	System Dimensions (L x W x H)	Maximum Voltage	Maximum Sample Capacity	Max. Samples, Full Length	Max. Buffer Volume
N2014-1010	Wide Mini Horizontal 14.4 x 10.2 cm Gel System, incl. Gel Tray with 4 Comb Slots, 2 Combs	1.5 mm thickness, 12 and 20 teeth	14.4 x 10.2 cm	17 x 17 x 10 cm	150 V	80	40	600 ml
N2023-1410	Wide Mini Horizontal 23.5 x 14 cm Gel System, incl. Gel Tray with 2 Comb Slots, 4 Combs	1.5 mm thickness, 2 x 30 and 2 x 40 teeth	23.5 x 14 cm	29 x 26 x 10 cm	150 V	200	50	1000 ml

Combs

(for StarPhoresis Mini and Wide Mini Gel Horizontal Systems)

Consistency and accuracy!

STARLAB offers a variety of combs: standard, microtitre format (for multi-channel pipettors) and preparative, plus wall combs for running shorter gels. All combs are available in 1.0 mm and 1.5 mm thicknesses as standard, are of heavy-duty construction and have a polycarbonate middle section.



Acrylic spines are attached to both sides of the comb to ensure balance and rigidity. STARLAB combs do not require set-up, screws or any other parts – the fixed height, all-in-one comb simply drops into a precision-cut comb slot. The resulting sample wells are preset for consistency and accuracy.

Combs for Mini Gel Horizontal Systems

Cat. No.	Number of Teeth	Thickness	Well volume*
Mini Gel Horizontal 7 x 8 cm			
N2007-0833	5	1.0 mm	25 µl
N2007-0836	6	1.0 mm	20 µl
N2007-0838	8	1.0 mm	14 µl
N2007-0840	10	1.0 mm	11 µl
N2007-0841	12	1.0 mm	8 µl
Mini Gel Horizontal 9 x 11 cm			
N2007-0825	5	1.5 mm	38 µl
N2007-0826	6	1.5 mm	31 µl
N2007-0828	8	1.5 mm	22 µl
N2007-0829	10	1.5 mm	16 µl
N2007-0832	12	1.5 mm	12 µl
N2007-0850 Preparative Comb	2	1.5 mm	193/16 µl

Mini Gel Horizontal 12 x 14 cm

N2012-1438	8	1.0 mm	28 µl
N2012-1435	16	1.0 mm	12 µl
N2012-1437	20	1.0 mm	9 µl
N2012-1439	24	1.0 mm	7 µl
N2012-1466 Microtitre Comb	9	1.0 mm	16 µl
N2012-1468 Microtitre Comb	12	1.0 mm	16 µl
N2012-1470 Microtitre Comb	25	1.0 mm	6 µl
Mini Gel Horizontal 12 x 14 cm			
N2012-1428	8	1.5 mm	42 µl
N2012-1427	16	1.5 mm	18 µl
N2012-1430	20	1.5 mm	13 µl
N2012-1431	24	1.5 mm	10 µl
N2012-1460 Microtitre Comb	9	1.5 mm	24 µl
N2012-1462 Microtitre Comb	12	1.5 mm	24 µl
N2012-1464 Microtitre Comb	25	1.5 mm	9 µl
N2012-1450 Preparative Comb	2	1.5 mm	358/15 µl
N2012-1490 Wall Comb	1	1.5 mm	–

Microtitre Comb: Suitable for use with multi-channel pipettes.
* Recommended loading volume (gel thickness 0.5cm)

Combs for Mini Gel Horizontal Systems

Cat. No.	Number of Teeth	Thickness	Well volume*
Mini Gel Horizontal 9 x 11 cm			
N2009-1133	5	1.0 mm	25 µl
N2009-1138	8	1.0 mm	20 µl
N2009-1140	10	1.0 mm	14 µl
N2009-1141	12	1.0 mm	11 µl
N2009-1142	14	1.0 mm	8 µl
Mini Gel Horizontal 12 x 14 cm			
N2009-1125	5	1.5 mm	38 µl
N2009-1128	8	1.5 mm	22 µl
N2009-1129	10	1.5 mm	16 µl
N2009-1132	12	1.5 mm	12 µl
N2009-1134	14	1.5 mm	10 µl
N2009-1150 Preparative Comb	2	1.5 mm	193/16 µl

Combs for Wide Mini Gel Horizontal Systems

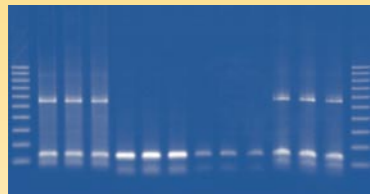
Cat. No.	Number of Teeth	Thickness	Well volume*
Wide Mini Gel Horizontal 14.4 x 10.2 cm			
N2014-1040	10	1.0 mm	27 µl
N2014-1037	20	1.0 mm	12 µl
N2014-1082	30	1.0 mm	6 µl
N2014-1084	40	1.0 mm	4 µl
N2014-1063 Microtitre Comb	15	1.0 mm	16 µl
Wide Mini Gel Horizontal 23.5 x 14 cm			
N2014-1029	10	1.5 mm	41 µl
N2014-1030	20	1.5 mm	18 µl
N2014-1074	30	1.5 mm	9 µl
N2014-1076	40	1.5 mm	6 µl
N2014-1061 Microtitre Comb	15	1.5 mm	24 µl
Wide Mini Gel Horizontal 23.5 x 14 cm			
N2023-1470 Microtitre Comb	25	1.0 mm	16 µl
N2023-1486 Microtitre Comb	50	1.0 mm	7 µl
Wide Mini Gel Horizontal 23.5 x 14 cm			
N2023-1464 Microtitre Comb	25	1.5 mm	24 µl
N2023-1485 Microtitre Comb	50	1.5 mm	10 µl

Casting Accessories

(for StarPhoresis Mini and Wide Mini Gel Horizontal Systems)

Optimized sample resolution!

Casting accessories for StarPhoresis Horizontal Gel Systems are made from high quality UV-transparent acrylic. The practical Gel Caster Sets allow casting of 2–3 parallel agarose gels and are gasketed to avoid gel leakage during the casting procedure. To achieve an optimized sample resolution without any smiling STARLAB offers the optional Adjustable Horizontal Gel Caster.



StarPure Agarose

High quality agarose that's RNase /DNase free! With a variety of different types of agarose e.g. StarPure Low Melt/Low Melt Sieve or StarPure Wide Range STARLAB covers the separation needs for most sizes of PCR-fragments.

Contact your local STARLAB office for more information.

Accessories for Mini Gel Horizontal Systems	
Cat. No.	Product Description
Mini Gel Horizontal 7 x 8 cm	
N2007-0812	StarPhoresis Gel Caster 7 x 8 cm, Set incl. 3 Gel Trays N2007-0816
N2007-0814	StarPhoresis Gel Caster 7 x 8 cm for max. 3 Gel Trays N2007-0816
N2007-0816	StarPhoresis Cast Gel Tray 7 x 8 cm gasketed, 2 Comb Slots, UVT
N2007-0888	Replacement Gaskets for Gel Tray N2007-0816, Pack of 2
N2000-0001	Adjustable Horizontal Gel Caster, can be used with 8, 10, 11, 14 and 17 cm long StarPhoresis Gel Trays, up to 23 cm wide
Mini Gel Horizontal 9 x 11 cm	
N2009-1112	StarPhoresis Gel Caster 9 x 11 cm, Set incl. 3 Gel Trays N2009-1116
N2009-1114	StarPhoresis Gel Caster 9 x 11 cm for max. 3 Gel Trays N2009-1116
N2009-1116	StarPhoresis Gel Tray 9 x 11 cm gasketed, 2 Comb Slots, UVT
N2009-1188	Replacement Gaskets for Gel Tray N2009-1116, Pack of 2
N2000-0001	Adjustable Horizontal Gel Caster, can be used with 8, 10, 11, 14 and 17 cm long StarPhoresis Gel Trays, up to 23 cm wide
Mini Gel Horizontal 12 x 14 cm	
N2012-1412	StarPhoresis Gel Caster 12 x 14 cm, Set incl. 3 Gel Trays N2012-1416
N2012-1414	StarPhoresis Gel Caster 12 x 14 cm for max. 3 Gel Trays N2012-1416
N2012-1416	StarPhoresis Gel Tray 12 x 14 cm gasketed, 2 Comb Slots, UVT
N2012-1418	StarPhoresis Gel Tray 12 x 14 cm gasketed, 4 Comb Slots, UVT
N2012-1419	StarPhoresis Gel Tray 12 x 14 cm gasketed, 12 Comb Slots, UVT
N2012-1488	Replacement Gaskets for Gel Tray N2012-1416, Pack of 2
N2000-0001	Adjustable Horizontal Gel Caster, can be used with 8, 10, 11, 14 and 17 cm long StarPhoresis Gel Trays, up to 23 cm wide

UVT: UV-transparent



Gel Caster Set, Cat. No. N2007-0812

Accessories for Wide Mini Gel Horizontal Systems	
Cat. No.	Product Description
Wide Mini Gel Horizontal 14.4 x 10.2 cm	
N2014-1012	StarPhoresis Gel Caster 14.4 x 10.2 cm, Set incl. 2 Gel Trays N2014-1016
N2014-1014	StarPhoresis Gel Caster 14.4 x 10.2 cm for max. 2 Gel Trays N2014-1016
N2014-1016	StarPhoresis Gel Tray 14.4 x 10.2 cm gasketed, 2 Comb Slots, UVT
N2014-1088	Replacement Gaskets for Gel Tray N2014-1016, Pack of 2
N2000-0001	Adjustable Horizontal Gel Caster, can be used with 8, 10, 11, 14 and 17 cm long StarPhoresis Gel Trays, up to 23 cm wide
Wide Mini Gel Horizontal 23.5 x 14 cm	
N2023-1416	StarPhoresis Gel Tray 23.5 x 14 cm gasketed, 4 Comb Slots, UVT
N2023-1488	Replacement Gaskets for Gel Tray N2023-1416, Pack of 2
N2000-0001	Adjustable Horizontal Gel Caster, can be used with 8, 10, 11, 14 and 17 cm long StarPhoresis Gel Trays, up to 23 cm wide



Adjustable Horizontal Gel Caster, Cat. No. N2000-0001

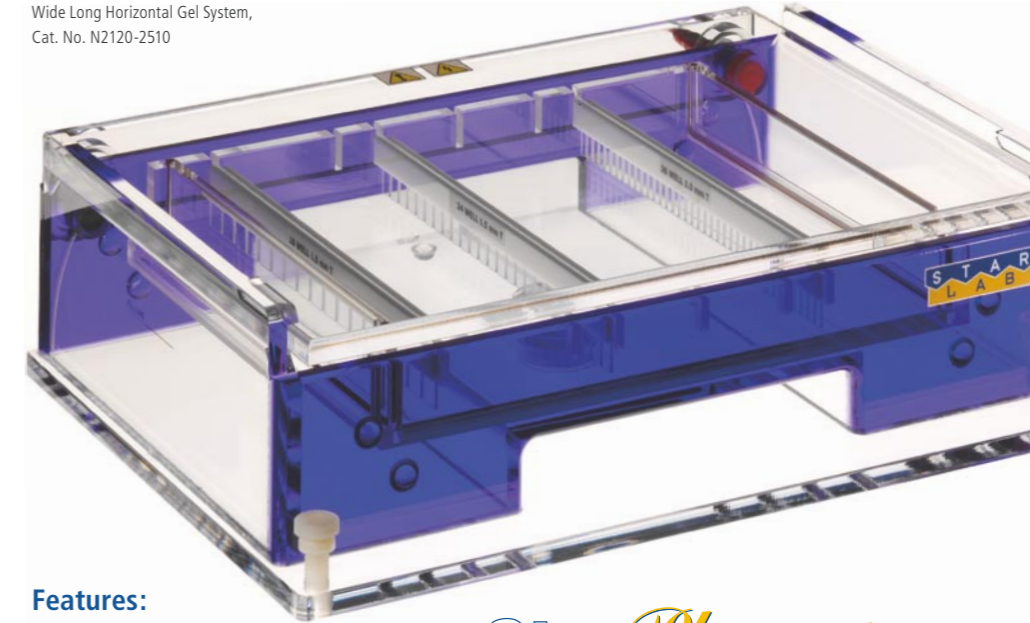
StarPhoresis Long and Wide Long Gel Horizontal Systems

More separations!

StarPhoresis Long and Wide Long Gel Horizontal Systems are ideally suited for the analysis of up to 600 sample sets of DNA and RNA. The longer gel trays separate samples containing a large number of fragments with a high resolution. The systems' robust, high quality acrylic construction will withstand daily use without breakage, warping or leakage. All units are equipped with a safety lid and a three-point leveling base for obtaining consistent reproducible results. Agarose gel can be cast directly in the gasketed gel tray without the use of tape.

The combs are available in 1.0mm and 1.5mm thicknesses, in a micotitre format, and in a variety of tooth configurations to accommodate a wide range of sample quantities and volumes.

Wide Long Horizontal Gel System, Cat. No. N2120-2510



Features:

- Robust acrylic construction
- UV-transparent acrylic
- Safety lid
- Three-point leveling base
- Gel trays with gasketed endgates
- Allows a high number of samples and a higher resolution
- Various comb slot configurations
- 36-month warranty

StarPhoresis

Specification for StarPhoresis Long and Wide Long Gel Horizontal Systems								
Cat. No.	Product Description	Comb Specification	Gel Size (W x L)	System Dimensions (L x W x H)	Maximum Voltage	Max. Sample Capacity	Max. Samples, Full Length	Max. Buffer Volume
Long Horizontal								
N2113-2510	Long Horizontal 13 x 25 cm Gel System, incl. 3 Point leveling base, Gel Tray with 6 Comb Slots, 3 Combs	1.5 mm thickness, 12, 16 and 20 teeth	13 x 25 cm	37.5 x 21.5 x 10.5 cm	200 V	112	28	1600 ml
N2120-2510	Long Horizontal 20 x 25 cm Gel System, incl. 3 Point leveling base, Gel Tray with 6 Comb Slots, 3 Combs	1.5 mm thickness, 16, 24 and 36 teeth	20 x 25 cm	37.5 x 29 x 10.5 cm	200 V	168	42	2300 ml
Wide Long Horizontal								
N2123-2510	Wide Long Horizontal 23.5 x 25 cm Gel System, incl. 3 Point leveling base, Gel Tray with 14 Comb Slots, 4 Combs	1.5 mm thickness, 2 x 25 and 2 x 50 teeth	23.5 x 25 cm	37.5 x 32 x 10.5 cm	200 V	500	50	3000 ml
N2123-4010	Wide Long Horizontal 23.5 x 40 cm Gel System, incl. 3 Point leveling base, Gel Tray with 12 Comb Slots, 4 Combs	1.5 mm thickness, 2 x 25 and 2 x 50 teeth	23.5 x 40 cm	53 x 32 x 10.5 cm	200 V	600	50	4500 ml

Combs and Casting Accessories

(for StarPhoresis Long and Wide Long Gel Horizontal Systems)

Combs:

STARLAB offers a variety of combs: standard, microtitre format (for multi-channel pipettors) and preparative, plus wall combs for longer gels. All combs are available in 1.0 mm and 1.5 mm thicknesses as standard, are of heavy-duty construction and have a polycarbonate middle section. Acrylic spines are attached to both sides of the comb to ensure balance and rigidity. STARLAB combs do not require set-up, screws or any other miscellaneous parts – the fixed height, all-in-one comb simply drops into a precision-cut comb slot. The resulting sample wells are preset for consistency and accuracy.

Combs for Long Gel Horizontal Systems			
Cat. No.	Number of Teeth	Thickness	Well volume*
Long Gel Horizontal 13 x 25 cm			
N2113-2538	8	1.0 mm	31 µl
N2113-2541	12	1.0 mm	20 µl
N2113-2535	16	1.0 mm	14 µl
N2113-2537	20	1.0 mm	10 µl
N2113-2539	24	1.0 mm	8 µl
N2113-2067 Microtitre Comb	14	1.0 mm	16 µl
Long Gel Horizontal 20 x 25 cm			
N2113-2528	8	1.5 mm	47 µl
N2113-2532	12	1.5 mm	29 µl
N2113-2527	16	1.5 mm	21 µl
N2113-2530	20	1.5 mm	15 µl
N2113-2531	24	1.5 mm	12 µl
N2113-2590 Wall Comb	1	1.5 mm	–
N2113-2065 Microtitre Comb	14	1.5 mm	24 µl
N2113-2050 Preparative Comb	2	1.5 mm	396/17 µl

Microtitre Comb: Suitable for use with multi-channel pipettes.
* Recommended loading volume (gel thickness 0.5cm)

Combs for Long Gel Horizontal Systems			
Cat. No.	Number of Teeth	Thickness	Well volume*
Long Gel Horizontal 20 x 25 cm			
N2120-2538	8	1.0 mm	51 µl
N2120-2541	12	1.0 mm	33 µl
N2120-2535	16	1.0 mm	23 µl
N2120-2537	20	1.0 mm	18 µl
N2120-2539	24	1.0 mm	14 µl
N2120-2546	28	1.0 mm	12 µl
N2120-2547	32	1.0 mm	10 µl
N2120-2545	36	1.0 mm	8 µl
N2120-2553 Microtitre Comb	18	1.0 mm	16 µl
N2120-2554 Microtitre Comb	21	1.0 mm	16 µl
N2120-2555 Microtitre Comb	42	1.0 mm	6 µl
Long Gel Horizontal 20 x 25 cm			
N2120-2528	8	1.5 mm	77 µl
N2120-2532	12	1.5 mm	49 µl
N2120-2527	16	1.5 mm	35 µl
N2120-2530	20	1.5 mm	27 µl
N2120-2531	24	1.5 mm	22 µl
N2120-2543	28	1.5 mm	18 µl
N2120-2544	32	1.5 mm	15 µl
N2120-2545	36	1.5 mm	13 µl
N2120-2590 Wall Comb	1	1.5 mm	–
N2120-2549 Microtitre Comb	18	1.5 mm	24 µl
N2120-2551 Microtitre Comb	21	1.5 mm	24 µl
N2120-2552 Microtitre Comb	42	1.5 mm	9 µl
N2120-2550 Preparative Comb	2	1.5 mm	396/17 µl

Combs for Wide Long Gel Horizontal Systems			
Cat. No.	Number of Teeth	Thickness	Well volume*
Wide Long Gel Horizontal 23.5 x 25 cm and 23.5 x 40 cm			
N2023-1470	25	1.0 mm	16 µl
N2023-1486	50	1.0 mm	7 µl
Wide Long Gel Horizontal 23.5 x 40 cm			
N2023-1464	25	1.5 mm	24 µl
N2023-1485	50	1.5 mm	10 µl
N2023-1490 Wall Comb	1	1.5 mm	–

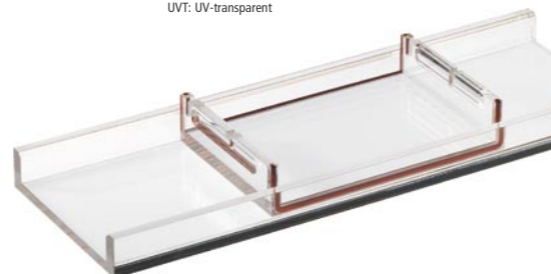
Casting Accessories:

Casting accessories for StarPhoresis Long and Wide Long Gel Horizontal Systems are made from high quality UV-transparent acrylic.

The gasketed gel trays are available in four dimensions and with various comb slot configurations to allow direct gel casting in the tray without any leakage.

Accessories for Long and Wide Long Gel Horizontal Systems	
Cat. No.	Product Description
Long Gel Horizontal 13 x 25 cm	
N2113-2516	StarPhoresis Gel Tray 13 x 25 cm gasketed, 6 Comb Slots, UVT
N2113-2588	Replacement Gaskets for Gel Tray N2113-2516, Pack of 2
Long Gel Horizontal 20 x 25 cm	
N2120-2516	StarPhoresis Gel Tray 20 x 25 cm gasketed, 6 Comb Slots, UVT
N2120-2588	Replacement Gaskets for Gel Tray N2120-2516, Pack of 2
Wide Long Gel Horizontal 23.5 x 25 cm	
N2123-2516	StarPhoresis Gel Tray 23.5 x 25 cm gasketed, 14 Comb Slots, UVT
N2123-4088	Replacement Gaskets for Gel Tray N2123-2516 and N2123-4016, Pack of 2
Wide Long Gel Horizontal 23.5 x 40 cm	
N2123-4016	StarPhoresis Gel Tray 23.5 x 40 cm gasketed, 12 Comb Slots, UVT
N2123-4088	Replacement Gaskets for Gel Tray N2123-2516 and N2123-4016, Pack of 2

UVT: UV-transparent



StarPhoresis 2-Gel Mini and 2-Gel Wide Mini Vertical Systems



2-Gel Mini
10 x 10 cm Vertical System,
Cat. No. N2510-1010

StarPhoresis

Highest resolution!

The Polyacrylamide Gel Electrophoresis (PAGE) is a frequently used method for identifying and quantifying protein and nucleic acid fragments in Biotech laboratories. To achieve high resolution PAGE separations STARLAB offers the StarPhoresis 2-Gel Mini Vertical Systems to help simplify the routine in laboratories. Manufactured to an “intelligent design” StarPhoresis Vertical Systems guarantee easy handling without breakage, warping or leakage. The integrated efficient water cooling system avoids smiling effects of the dye front.

Combs are available in thicknesses of 0.8 mm and 1.5 mm and in a variety of tooth combinations. Four unit sizes are available, all equipped with a special safety lid.

Features:

- ▄ Water cooling system
- ▄ Parallel gel runs
- ▄ High resolution
- ▄ Robust acrylic construction
- ▄ Intelligent design
- ▄ Safety lid
- ▄ Integrated casting base
- ▄ Various comb slot configurations
- ▄ 36-month warranty

Specification for StarPhoresis 2-Gel Mini and 2-Gel Wide Mini Vertical Systems									
Cat. No.	Product Description	Comb Specification	Spacer	Gel Size (W x L)	Maximum Voltage	Current (mAmps), Constant	Maximum Sample Capacity	Upper Buffer Chamber Capacity	Lower Buffer Chamber Capacity
Mini Vertical									
N2510-1010	2-Gel Mini 10 x 10 cm Vertical System, „Water Cooled“, incl. Casting Base, 2 Combs, 4 Side Spacers, 4 Sets of Glass (4 each notched & blank), Blocking Plate, Replacement Gaskets for Upper Buffer Chamber and Casting Base, 2 Spring Pegs	0.8 mm thickness, 2 x 10 teeth	4 Side Spacer, 0.8 mm thickness	10 x 10 cm	600 V	15-35 mA/Gel	24	170 ml	240 ml
N2516-1410	2-Gel Mini 16 x 14 cm Vertical System, „Water Cooled“, incl. Casting Base, 4 Combs, 8 Side Spacers, 4 Sets of Glass (4 each notched & blank), Blocking Plate, Replacement Gaskets for Upper Buffer Chamber and Casting Base, 2 Spring Pegs	1.5 mm thickness, 2 x 10 and 2 x 15 teeth	8 Side Spacer, 1.5 mm thickness	16 x 14 cm	600 V	15-50 mA/Gel	48	400 ml	300 ml
N2520-2010	2-Gel Mini 20 x 20 cm Vertical System, „Water Cooled“, incl. Casting Base, 4 Combs, 8 Side Spacers, 4 Sets of Glass (4 each notched & blank), Blocking Plate, Replacement Gaskets for Upper Buffer Chamber and Casting Base, 2 Spring Pegs	1.5 mm thickness, 2 x 15 and 2 x 20 teeth	8 Side Spacer, 1.5 mm thickness	20 x 20 cm	600 V	15-75 mA/Gel	50	600 ml	800 ml
Wide Mini Vertical									
N2520-1010	2-Gel Wide Mini 20 x 10 cm Vertical System, „Water Cooled“, incl. Casting Base, 4 Combs, 8 Side Spacers, 4 Sets of Glass (4 each notched & blank), Blocking Plate, Replacement Gaskets for Upper Buffer Chamber and Casting Base, 2 Spring Pegs	0.8 mm thickness, 2 x 15 and 2 x 20 teeth	4 Side Spacer, 0.8 mm thickness	20 x 10 cm	600 V	30-45 mA/Gel	72	400 ml	450 ml

Combs and Spacers

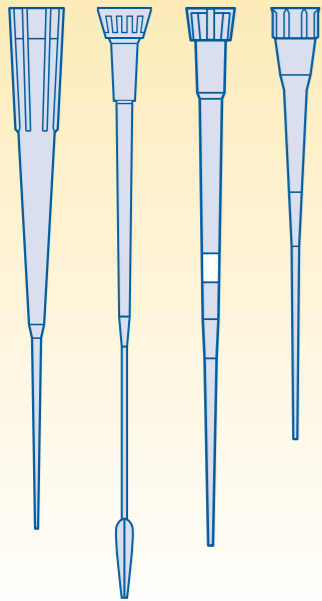
(for StarPhoresis 2-Gel Mini and 2-Gel Wide Mini Vertical Systems)

Excellent chemical resistance!

STARLAB offers a variety of combs: standard, microtitre format (for multi-channel pipettors) and preparative combs for vertical electrophoresis. Made of Teflon® all combs have excellent chemical resistance and are available in 0.8 mm and 1.5 mm thicknesses as standard. Sample wells are preset for consistency and accuracy.

Gel Loadings Tips

STARLAB offers a range of quality gel loading pipette tips (flat and round) engineered for comfortable and easy use between electrophoresis applications. For more information please contact your local STARLAB office.



Combs and Spacers for 2-Gel Mini Vertical Systems			
Cat. No.	Number of Teeth	Thickness	Well volume*
2-Gel Mini Vertical 10 x 10 cm			
Combs			
N2510-1056	6	0.8 mm	142 µl
N2510-1057	8	0.8 mm	99 µl
N2510-1058	10	0.8 mm	73 µl
N2510-1059	12	0.8 mm	55 µl
N2510-1026	6	1.5 mm	266 µl
N2510-1028	8	1.5 mm	185 µl
N2510-1029	10	1.5 mm	136 µl
N2510-1032	12	1.5 mm	103 µl
Spacers			
N2510-1092	0.7 cm wide x 0.8 mm thick Spacer Set		
N2510-1091	0.7 cm wide x 1.5 mm thick Spacer Set		
2-Gel Mini Vertical 16 x 14 cm			
Combs			
N2516-1440	10	0.8 mm	183 µl
N2516-1467	15	0.8 mm	107 µl
N2516-1437	20	0.8 mm	69 µl
N2516-1439	24	0.8 mm	51 µl
N2516-1429	10	1.5 mm	343 µl
N2516-1465	15	1.5 mm	201 µl
N2516-1430	20	1.5 mm	129 µl
N2516-1431	24	1.5 mm	96 µl
N2516-1450 Preparative Comb	2	1.5 mm	3630/152 µl
Spacers			
N2516-1492	1.0 cm wide x 0.8 mm thick Spacer Set		
N2516-1491	1.0 cm wide x 1.5 mm thick Spacer Set		

* Recommended loading volume

Combs and Spacers for 2-Gel Mini Vertical Systems			
Cat. No.	Number of Teeth	Thickness	Well volume*
2-Gel Mini Vertical 20 x 20 cm			
Combs			
N2520-2040	10	0.8 mm	239 µl
N2520-2067	15	0.8 mm	144 µl
N2520-2037	20	0.8 mm	97 µl
N2520-2039	25	0.8 mm	69 µl
N2520-2029	10	1.5 mm	449 µl
N2520-2065	15	1.5 mm	271 µl
N2520-2030	20	1.5 mm	182 µl
N2520-2031	25	1.5 mm	129 µl
N2520-2050 Preparative Comb	2	1.5 mm	4885/155 µl
Spacers			
N2520-2092	1.0 cm wide x 0.8 mm thick Spacer Set		
N2520-2091	1.0 cm wide x 1.5 mm thick Spacer Set		

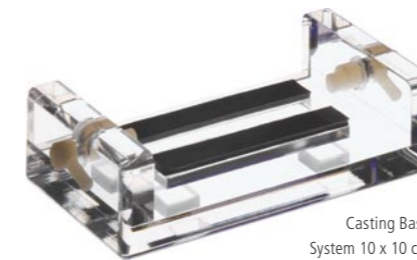
Combs and Spacers for 2-Gel Wide Mini Vertical Systems			
Cat. No.	Number of Teeth	Thickness	Well volume*
2-Gel Wide Mini Vertical 20 x 10 cm			
Combs			
N2520-1040	10	0.8 mm	239 µl
N2520-1067	15	0.8 mm	144 µl
N2520-1037	20	0.8 mm	97 µl
N2520-1039	25	0.8 mm	69 µl
N2520-1029	10	1.5 mm	449 µl
N2520-1065	15	1.5 mm	271 µl
N2520-1030	20	1.5 mm	182 µl
N2520-1031	25	1.5 mm	129 µl
N2520-1073 Microtitre Comb	18	0.8 mm	78 µl
N2520-1074 Microtitre Comb	36	0.8 mm	32 µl
N2520-1071 Microtitre Comb	18	1.5 mm	156 µl
N2520-1072 Microtitre Comb	36	1.5 mm	64 µl
Spacers			
N2520-1092	1.2 cm wide x 0.8 mm thick Spacer Set		
N2520-1091	1.2 cm wide x 1.5 mm thick Spacer Set		

Casting Accessories

(for StarPhoresis 2-Gel Mini and 2-Gel Wide Mini Vertical Systems)

High quality acrylic!

Casting bases for StarPhoresis 2-Gel Mini Vertical Systems are made from high quality UV-transparent acrylic and contain a special gasket to avoid gel leakage during the casting procedure. Bases, and plain and notched glass plates, are all available in four sizes.



Casting Base,
System 10 x 10 cm,
Cat. No. N2510-1018

Accessories for 2-Gel Mini and 2-Gel Wide Mini Vertical Systems	
Cat. No.	Product Description
2-Gel Mini Vertical 10 x 10 cm	
N2510-1018	StarPhoresis Casting Base, System 10 x 10 cm
N2510-1089	Replacement Gaskets for UBC, Pack of 2
N2510-1089	Replacement Clamps, black, Pack of 2
N2510-1020	Wing Knobs, Pack of 4
N2510-1021	Notched Glass Plate, clear, 10 x 10 cm, 0.24 cm thick
N2510-1022	Plain Glass Plate, clear, 10 x 10 cm, 0.24 cm thick
N2510-1023	Notched Aluminium Plate, white, 10 x 10 cm, 0.24 cm thick
2-Gel Mini Vertical 16 x 14 cm	
N2516-1418	StarPhoresis Casting Base, System 16 x 14 cm
N2516-1489	Replacement Gaskets for UBC, Pack of 2
N2516-1419	Replacement Clamps, black, Pack of 2
N2510-1020	Wing Knobs, Pack of 4
N2516-1421	Notched Glass Plate, clear, 16 x 14 cm, 0.32 cm thick
N2516-1422	Plain Glass Plate, clear, 16 x 14 cm, 0.32 cm thick
2-Gel Mini Vertical 20 x 20 cm	
N2520-2018	StarPhoresis Casting Base, System 20 x 20 cm
N2520-2089	Replacement Gaskets for UBC, Pack of 2
N2520-2019	Replacement Clamps, black, Pack of 2
N2510-1020	Wing Knobs, Pack of 4
N2520-2021	Notched Glass Plate, clear, 20 x 20 cm, 0.32 cm thick
N2520-2022	Plain Glass Plate, clear, 20 x 20 cm, 0.32 cm thick
2-Gel Wide Mini Vertical 20 x 10 cm	
N2520-1018	StarPhoresis Casting Base, System 20 x 10 cm
N2520-1089	Replacement Gaskets for UBC, Pack of 2
N2520-1019	Replacement Clamps, black, Pack of 2
N2510-1020	Wing Knobs, Pack of 4
N2520-1021	Notched Glass Plate, clear, 20 x 10 cm, 0.24 cm thick
N2520-1022	Plain Glass Plate, clear, 20 x 10 cm, 0.24 cm thick

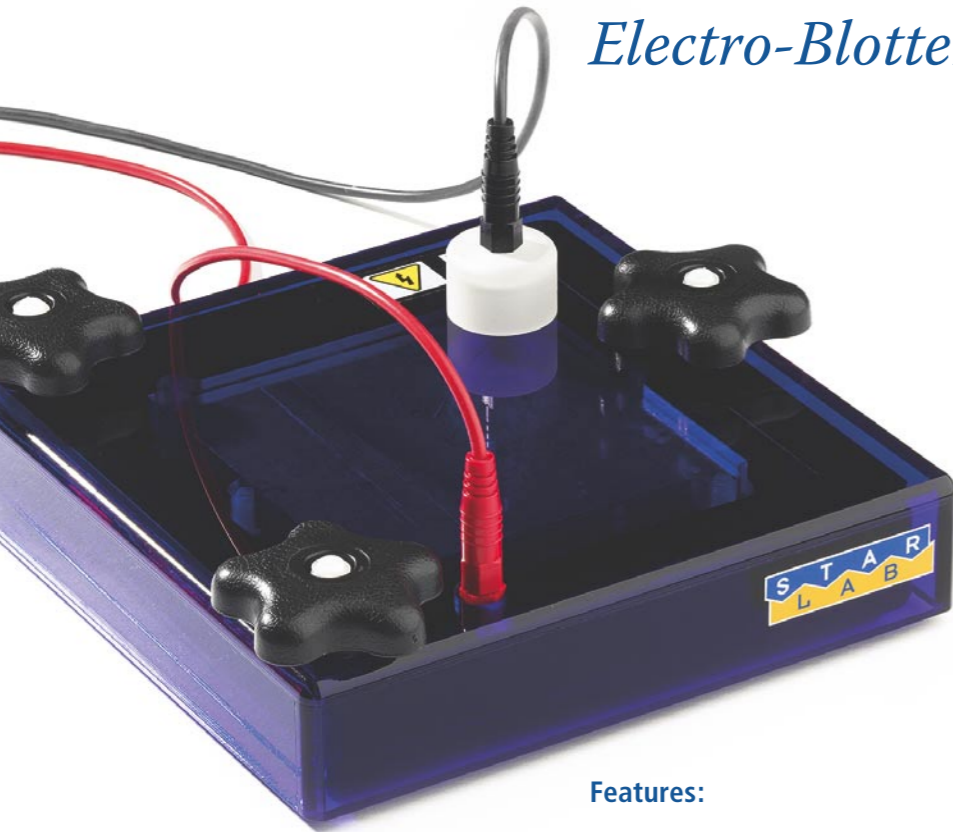
UBC: Upper Buffer Chamber

Examination Gloves

Safe electrophoresis without personal contamination! STARLAB exclusively provides Microflex FreeForm® – a high quality nitrile examination glove with a super soft, superb fit. If you would like to try the most comfortable non-latex glove ever, please contact your local STARLAB office for a free sample.



STARLAB Semi-Dry Electro-Blotters



Semi-Dry Electro-Blotter Mini 10 x 10cm, Cat. No. N2011-1110

Features:

- ▄ Platinised titanium and stainless steel plate electrodes
- ▄ Large surface area
- ▄ Highly efficient transfer of fragments
- ▄ Corrosion-free gold-plated plugs
- ▄ Safety cover
- ▄ Robust acrylic construction
- ▄ 36-month warranty

Blotting that works!

Southern, Northern and Western Blotting are common techniques used for the transfer of nucleic acid and protein fragments from polyacrylamide or agarose gels to blotting membranes such as nitrocellulose, nylon or PVDF membranes.

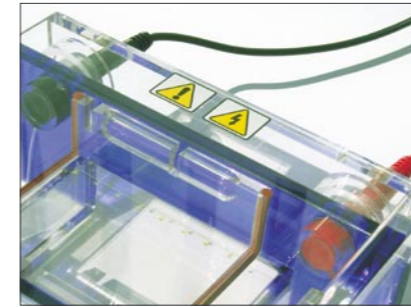
STARLAB's Semi-Dry Electro-Blotters have a large surface area of plate electrodes to enable rapid and highly efficient transfer in conjunction with high signal strength. The highly conductive platinised titanium and stainless steel plate electrodes allow transfer at low voltages without the use of external cooling systems.

STARLAB Electro-Blotters consume significantly less transfer buffer without a loss in transfer efficiency or signal strength. A safety cover prevents the reverse orientation of electric fields, and the robust acrylic construction guarantees easy handling without breakage, warping or leakage.

Specification for StarLab Semi-dry Electro Blotters

Cat. No.	Product Description	Gel Size (W x L)	Power Settings	Suggested Power Supplies
Mini Format				
N2011-1110	STARLAB Semi-Dry Electro-Blotter Mini 10 x 10 cm, complete system includes base and cover with planar electrodes, assembly knobs and attached power cords	10 x 10 cm	Protein: Constant current 0.8–3 mA per cm ² gel surface area, 10–14 V maximum DNA/RNA: Constant current 0.5–3 mA per cm ² gel surface area, 10–14 V maximum	STARLAB Power Supply with 300 V/400 mA/120 W or STARLAB Power Supply with 300 V/500 mA/150 W
Maxi Format				
N2021-2110	STARLAB Semi-Dry Electro-Blotter Maxi 20 x 20 cm, complete system includes base and cover with planar electrodes, assembly knobs and attached power cords	20 x 20 cm	Protein: Constant current 0.8–3 mA per cm ² gel surface area, 10–14 V maximum DNA/RNA: Constant current 0.5–3 mA per cm ² gel surface area, 10–14 V maximum	STARLAB Power Supply with 600 V/800 mA/300 W

STARLAB Power Supplies



Features:

- ▄ 300–1000 Volt range to accommodate many applications
- ▄ Constant voltage
- ▄ Constant power
- ▄ LED display
- ▄ Tactile membrane panels
- ▄ Automatic restart in case of power failure

High Voltage!

Results of electrophoresis and electro-blotting techniques depend not only on the primary equipment but also on reliable power supplies.

Adjusted to specific requirements of different separating and transferring applications, STARLAB power supplies are available in ranges from 300 V/400 mA up to 1000 V/600 mA. They are designed according to international and CE European guidelines to guarantee the highest quality and safety.

The last setting is automatically restored at power up and the timer function (except Type 300-400) also allows user friendly analysis runs. A further feature is a tactile membrane panel for precise input of parameters.

STARLAB power supplies have LED displays to indicate voltage and current (a display indicates time on some models), and they also have automatic restart in the case of power failure, making them the first choice for your laboratory.

Specification for StarLab Power Supplies

Cat. No.	Product Description	Maximum Voltage	Maximum Current	Maximum Power	Dimensions (W x D x H)	Minimum regulated value	Fault detection	Gel Saver*	Operating temperature	Weight
N2000-3040	STARLAB Power Supply 300-400	300 V	400 mA	120 W	17 x 24 x 7 cm	1 V/1 mA	Stop	–	0 °C – 40 °C	1.6 kg
N2000-3050	STARLAB Power Supply 300-500	300 V	500 mA	150 W	17 x 24 x 7 cm	1 V/1 mA	Stop and audible alarm	✓	0 °C – 40 °C	1.6 kg
N2000-5030	STARLAB Power Supply 500-300	500 V	300 mA	150 W	17 x 24 x 7 cm	1 V/1 mA	Stop and audible alarm	✓	0 °C – 40 °C	1.6 kg
N2000-6080	STARLAB Power Supply 600-800	600 V	800 mA	300 W	27 x 34 x 11 cm	5 V/1 mA	Stop and audible alarm	–	0 °C – 40 °C	4 kg
N2000-1060	STARLAB Power Supply 1000-600	1000 V	600 mA	300 W	27 x 34 x 11 cm	10 V/1 mA	Stop and audible alarm	–	0 °C – 40 °C	4 kg

*Gel Saver (only for Type 300-500 and 500-300): In case of timer indicates the end of an electrophoresis application, gel saver function avoids diffusion of bands.

Applications for StarLab Power Supplies

Product Description	DNA/RNA, agarose gel	RFLP and DNA Fragments	PCR-Screening	Protein Electrophoresis	Preparative Gels/ SDS-Page	Semi-dry Blotting	Western Blotting
STARLAB Power Supply 300-400	••	••	••	••	••	•	••
STARLAB Power Supply 300-500	••	••	••	••	••	••	••
STARLAB Power Supply 500-300	••	••	••	••	••	•	–
STARLAB Power Supply 600-800	••	••	••	••	••	••	••
STARLAB Power Supply 1000-600	•	•	•	••	••	•	•

•• recommended • use possible



STARLAB GmbH

Ewige Weide 7
D-22926 Ahrensburg
Germany

T: +49 (0)4102 6044 0
F: +49 (0)4102 6044 20
info@starlab.de
www.starlab.de

STARLAB (UK), Ltd

4 Tanners Drive
Milton Keynes MK 14 5NA
United Kingdom

T: +44 (0)1908 283800
F: +44 (0)1908 283802
infoline@starlab.co.uk
www.starlab.co.uk

STARLAB-FRANCE

48 rue de Morillons
75015 Paris
France

T: +33 (0)1 45 3062 83
F: +33 (0)1 45 3062 95
info@starlab-france.com
www.starlab-france.com

STARLAB Srl.

Via Corelli 36
20134 Milano
Italy

T: +39 02 7020 1040
F: +39 02 7020 1033
info@starlabitalia.it
www.starlabitalia.it

