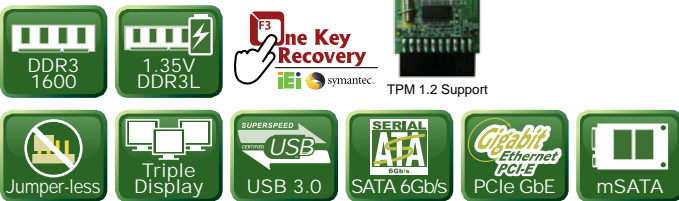
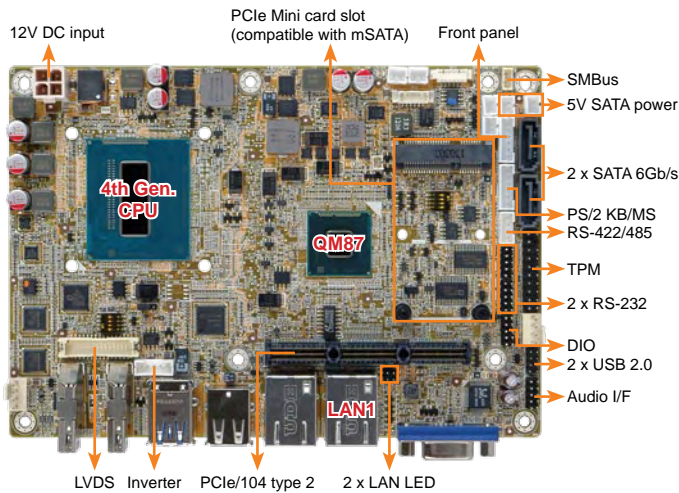


# EPIC NANO-QM871

EPIC SBC supports Intel® 22nm 4th generation mobile Core™ i7/i5/i3 and Celeron® on-board processors with VGA/Dual HDMI/LVDS, Dual PCIe GbE, USB 3.0, PCIe Mini, PCIe/104, SATA 6Gb/s and Audio



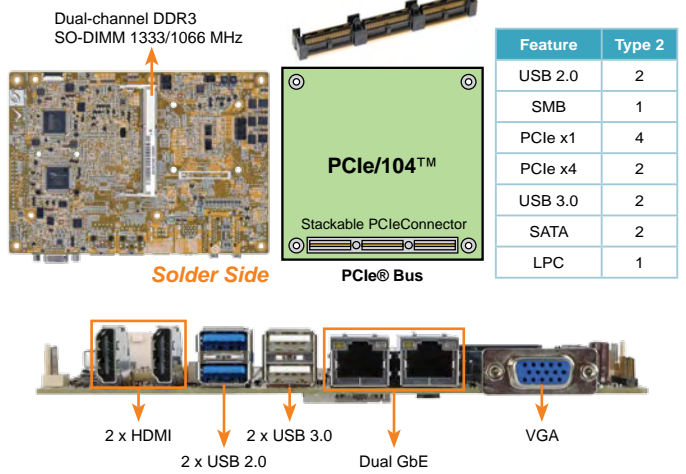
## Specifications

- ◆ CPU: 4th generation Intel® mobile Core™ i7/i5/i3 and Celeron® on-board processors
- ◆ PCH: Intel® QM87
- ◆ BIOS: UEFI BIOS
- ◆ Memory: One 204-pin 1600/1333MHz dual-channel DDR3/DDR3L SO-DIMM (system max. 8GB)
- ◆ Graphics Engine: Gen 7.5 Intel® HD Graphics with DirectX 11.1, OpenGL 3.2, OpenCL 1.2 support
- ◆ Display Output: 1 x VGA (1920x1200@60), 1 x 18/24-bit dual channel LVDS (2500x1600@60), Dual HDMI via v1.4a compliant (2500x1600@60)
- ◆ LAN: LAN1: Intel® I218LM PHY with Intel® AMT 9.0 supported; LAN2: Intel® I211AT PCIe GbE controller
- ◆ Super I/O: Fintek F81866
- ◆ Embedded Controller: iWDD
- ◆ I/O interface: 2 x RS-232, 1 x RS-422/485, 1 x 6-pin wafer for PS/2 KB/MS, 2 x USB 2.0 (by pin header), 2 x USB 2.0 (on rear I/O), 2 x USB 3.0 (on rear I/O), 2 x SATA 6G/s with 5V SATA power connector (RAID 0,1,5,10)
- ◆ TPM: 1 x 20-pin (2x10) header
- ◆ SMBus: 1 x 4-pin (1x4) wafer
- ◆ Audio: Realtek ALC662 HD codec
- ◆ Front Panel: 1 x 6-pin (1x10) wafer for power LED & HDD LED, 1 x 2-pin (1x2) wafer for power button, 1 x 2-pin (1x2) wafer for power reset
- ◆ LAN LED: 2 x 2-pin (1x2) header
- ◆ Expansion: 1 x Full-size PCIe Mini card slot with mSATA support, 1 x PCIe/104 Type 2 slot
- ◆ Watchdog Timer: Software programmable support 1~255 sec. system reset
- ◆ Digital I/O: 8-bit digital I/O (4-bit input, 4-bit output)
- ◆ Fan Connector: 1 x 4-pin CPU fan connector, 1 x 4-pin system fan connector
- ◆ Power supply: 12V only, AT/ATX support
- ◆ Power Consumption: 12V@3.78A (Intel® 4th Gen. 2.0GHz CPU with one 1333MHz DDR3 4GB memory)
- ◆ Operating Temperature: -10°C ~ 60°C
- ◆ Storage Temperature: -20°C ~ 85°C
- ◆ Operating Humidity: 5% ~95%, non-condensing
- ◆ Dimensions: 115 mm x 165 mm
- ◆ Weight: GW:850g / NW:350g

IEI provide the latest PC/104 embedded specification by PCIe/104 type 2 for EPIC board



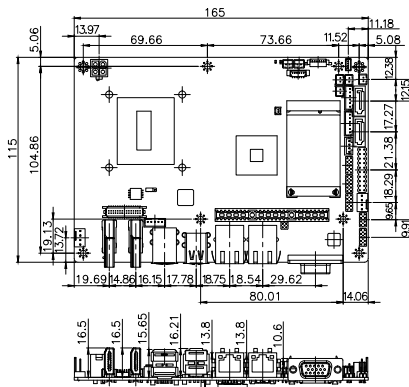
Customers can order compatible add-in cards from by IEI for expanding I/O interface like PCI-104 slot, USB 3.0 port, PCIe Mini slot, mSATA or PCIe GbE.



## Features

1. EPIC SBC supports 4th generation 22nm Intel® mobile processors
2. IEI jumper-less function
3. Triple independent display supports with dual HDMI+VGA/ dual HDMI+LVDS/ HDMI+LVDS+VGA
4. 1.35V DDR3L 1600/1333 MHz SDRAM supports up to 8GB
5. COM, USB 3.0, SATA 6Gb/s and audio support
6. Intel® GbE LAN with Intel® AMT 9.0 support
7. IEI one key recovery solution allows you to create rapid OS backup and recovery

## Dimensions (Unit: mm)



## Packing List

1 x NANO-QM871 single board computer	
2 x SATA with power cable kit (P/N: 32801-000201-100-RS)	
1 x Audio cable (P/N: 32000-072100-RS)	1 x QIG (Quick Installation Guide)
1 x Power cable (P/N: 32100-087100-RS)	1 x Utility CD
2 x RS-232 cable (P/N: 32200-000049-RS)	1 x One Key Recovery CD

## Ordering Information

Part No.	Description
NANO-QM871-R10	EPIC SBC supports Intel® 22nm 4th generation mobile Core™ i7/i5/i3 and Celeron® on-board processors with VGA/Dual HDMI/LVDS, Dual PCIe GbE, USB 3.0, PCIe Mini, PCIe/104, SATA 6Gb/s and Audio
32000-070301-RS	Dual port USB cable
32100-043403-RS	ATX power cable
32200-074800-RS	RS-422/485 cable, 200mm
CF-479B-RS	Cooler kit for 17W CPU (L:W:H - 50x50x26mm)
CF-989B-RS	Cooler kit for 50W CPU (L:W:H - 60x60x27.6mm)
32000-023800-RS	PS/2 KB/MS Y-cable with bracket, 135mm
TPM-IN01-R11	20-pin Infineon TPM module, software management tool, firmware V3.17

1 Industrial Computing Solutions

2 Video Capture Solutions

3 Embedded Computing Solutions

4 Automation Control

5 ORing Network Communication

6 Power Supply/Peripherals

7 Panel Solutions Introduction