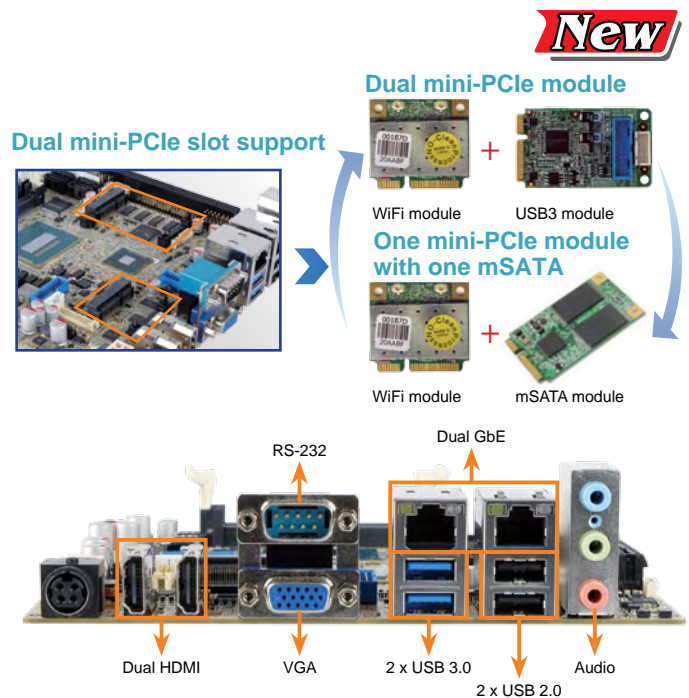
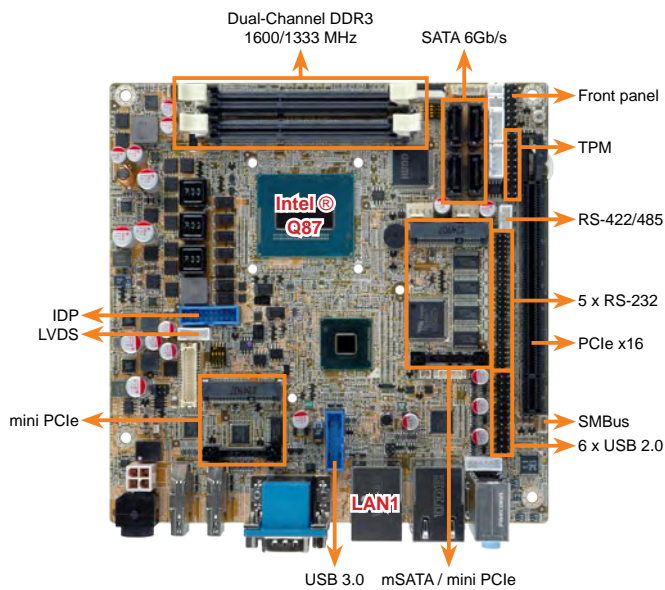


KINO-DQM871

Mini-ITX SBC with Intel® mobile Haswell CPU, HDMI / VGA / LVDS / DP, Dual Intel® PCIe GbE, USB 3.0, SATA 6Gb/s, HD Audio and RoHS



Specifications

- ◆ CPU
BGA 1364 type for Intel® 22nm Haswell processor
- ◆ PCH
Intel® QM87
- ◆ Memory
Two 204-pin 1066/1333/1600 MHz DDR3 dual-channel SO-DIMMs (Support up to 16GB)
- ◆ BIOS
UEFI BIOS
- ◆ Ethernet
Intel® I211 PCIe controller
Intel® I217 with Intel® AMT supported
- ◆ Graphic Engine
Support for DX11.1 and OpenGL3.2
Full MPEG2, VC1, AVC Decode
- ◆ Display Output
VGA integrated in Intel® QM87
18/24-bit dual-channel LVDS support
Dual HDMI output supported
DP port pin header
- ◆ Super I/O
Fintek F81866
- ◆ EC
ITE 8519
- ◆ Audio
Realtek ALC662 HD codec
- ◆ I/O Interface
5 x RS-232
1 x RS-422/485
4 x SATA 6Gb/s with raid support
1 x 6-pin pin header for KB/MS
4 x USB 3.0 (2 x Rear I/O, 2 x pin header)
10 x USB 2.0 (2 x Rear I/O, 8 x pin header)
2 x SATA power connector (4P, P=2.54)
- ◆ Front Panel
1 x Front Panel (Power LED, HDD LED, Speaker, Power Button, Reset Button)
- ◆ LAN LED
2 x 2 PIN for LAN1 LED, LAN2 LED
- ◆ SM bus
1 x 4-pin wafer
- ◆ TPM
2 x 10-pin pinheader
- ◆ Expansion
2 x Mini PCIe card slot (one colay mSATA)
1 x PCIe x16
- ◆ Watchdog Timer
Software programmable support 1~255 sec. system reset
- ◆ Digital I/O
8-bit digital I/O (4-bit input, 4-bit output)
- ◆ Fan Connector
1 x 4-pin CPU fan connector
1 x 4-pin system fan connector*
- ◆ Power Supply
12V DC input
1 x external DIN 4pin DC jack
1 x internal 2x2pin power connector
Support AT/ATX mode
- ◆ Power Consumption
12V@5.03A (2.0GHz Intel® Core™ i7 Processor with two 1333 MHz 4GB DDR3 memory)
- ◆ Operating Temperature: -20°C ~ 60°C
- ◆ Operating Humidity: 5% ~ 95%, non-condensing
- ◆ Dimension: 170mm x 170mm
- ◆ Weight: GW: 900g/NW: 450g



Features

1. Mini-ITX SBC with Intel® 22nm mobile Haswell processor
2. DDR3 1066/1333/1600MHz dual channel SDRAM
3. HDMI 1.4a compliant, three independent displays supported
4. 3D micro-architecture enhancements supports for DX11.1, OCL 1.2 and OGL3.2
5. Rich media acceleration for hardware decode and encode acceleration
6. Intel® GbE Lan with Intel® AMT 9.0 supported
7. High speed I/O interface for PCIe Gen 3.0 add on card, USB 3.0 and SATA 6Gb/s supported
8. Supports dual mini-PCle expansion for mini-PCle device and mSATA
9. IEI Jumper-less function

Packing List

1 x KINO-DQM871 Motherboard	
2 x SATA with power output cable (P/N: 32801-000100-100-RS)	
2 x RS-232 cable with bracket (P/N: 19800-000300-100-RS)	
1 x I/O shielding	1 x Utility CD
1 x Mini Jumper Pack	1 x QIG

Ordering Information

Part No.	Description
KINO-DQM871-R10	Mini-ITX SBC with Intel® mobile Haswell CPU, HDMI/ VGA/ LVDS/ DP, Dual Intel® PCIe GbE, USB 3.0, SATA 6Gb/s, HD Audio and RoHS
19800-003100-200-RS	Dual USB cable
32000-023800RS	KB/MS Y cable
TPM-IN01-R11	20-Pin Infineon TPM module, software management tool, firmware V3.17
19800-004300-100-RS	RS-232/422/485 cable with bracket
DP-LVDS-R10	DisplayPort to 24 bit dual channel LVDS converter board (For iEi IDP connector)
DP-HDMI-R10	DisplayPort to HDMI converter board (For iEi IDP connector)
DP-DVI-R10	DisplayPort to DVI-D converter board (For iEi IDP connector)
DP-VGA-R10	DisplayPort to VGA converter board (For iEi IDP connector)

1

Industrial Computing Solutions

2

Video Capture Solutions

3

Embedded Computing Solutions

4

Automation Control

5

ORing Network Communication

6

Power Supply/ Peripherals

7

Panel Solutions Introduction