

TANK-600-D2550 ■ Fanless Embedded System

TANK-600-N2600 ■ Intel® Celerarview Dual Core Atom™ CPU



New



Features

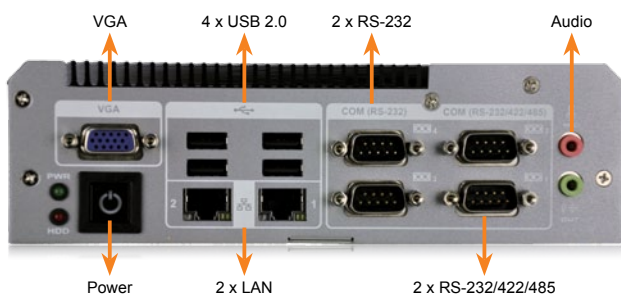
- ◆ Intel® Dual Core D2550 1.86 GHz processor
Intel® Dual Core N2600 1.6 GHz processor
- ◆ Default: 8 x COM ports (6 x RS-232, 2 x RS-232/422/485)
Optional: 8 x COM ports via DB-78 (8 x RS-232)
- ◆ 6 x USB 2.0
- ◆ Dual PCIe GbE LAN for high speed network applications



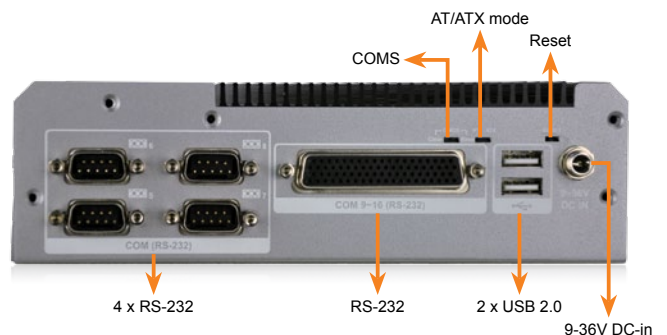
Specifications

Model Name		TANK-600-D2550	TANK-600-N2600
Chassis	Color	Black C + Silver	
	Dimension (WxDxH)	260 x 200 x 105 mm	
	System Fan	Fanless	
	Chassis Construction	Aluminum alloy	
Motherboard	CPU	Intel® Dual Core D2550 1.86 GHz processor	Intel® Dual Core N2600 1.6 GHz processor
	Chipset	Intel® NM10	
	System Memory	On-board DDR3 4GB	On-board DDR3 2GB
Storage	Hard Drive	1 x 2.5" SATA HDD Bay	
I/O interfaces	USB 2.0	6	
	Ethernet	2 x RJ-45 Realtek 8111E GbE LAN	
	RS-232	Default: 6 x DB-9 Optional: 8 x RS-232 by DB-78	
	RS-422/485	2 x RS-232/422/485 by DB-9	
	Display	1 x VGA	
	Resolution	Up to 2048 x 1536 @ 75Hz	
	Audio	1 x Line-out, 1 x Mic-in	
Expansions	PCIe Mini	1 x Full Size (Support mSATA) 1 x Half size	
	Power Input	Terminal Block: 9~36V DC	
Power	Power Consumption	12W @ 2.1A	
	Mounting	VESA 100, DIN-Rail	
Reliability	Operating Temperature	-20°C ~ 70°C with air flow	
	Operating Shock	Half-sine wave shock 5G, 11ms, 3 shocks per axis	
	Operating Vibration	MIL-STD-810F 514.5C-2 (with SSD)	
	Weight (Net/Gross)	2.2 Kg / 3 Kg	
	Safety / EMC	CE/FCC	
OS	Supported OS	Microsoft® WES7E, Microsoft® Windows® XP Embedded	

Front View



Rear View



Versatile mounting ways

The TANK-600 series can fulfill VESA 100/DIN-rail/ Wall mount. Providing users different ways to meet their application.



Rich COM ports

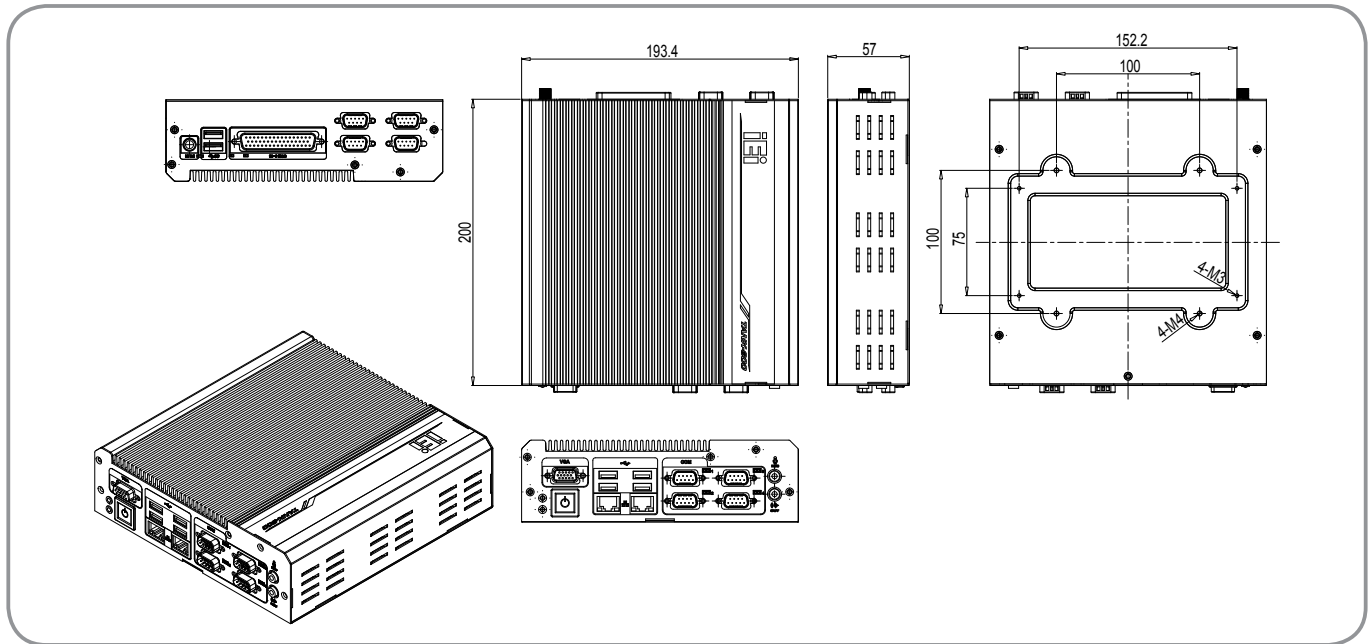
There are 8 COM ports of TANK-600 on default, and another optional 8 COM ports through DB-78. Max 16 ports to achieve uses high demand of COM ports.

Wide Range Temperature



The TANK-600 support -20°C~70°C wide range environment. Best choice for some ruggedize application.

Dimensions (Unit: mm)



Ordering Information

Part No.	Description
TANK-600-CV-D2550-R10	Extend temperature Fanless embedded system with Intel® Cedarview D2550 dure core 1.86GHz CPU, with 4G DDR3 RAM onboard, 1 x VGA, Dual GbE, 6 x USB 2.0
TANK-600-CV-N2600-R10	Extend temperature Fanless embedded system with Intel® Cedarview N26001.6 GHz processor dure core CPU, with 2G DDR3 RAM onboard, 1 x VGA, Dual GbE
TANK-600-CV-D25502-R10	Extend temperature Fanless embedded system with Intel® Cedarview D2550 dure core 1.86GHz CPU, with 4G DDR3 RAM onboard, 1 x VGA, Dual GbE, 6 x USB 2.0, 2 x RS-232/422/484, 6 x RS-232, R10, RoHS
TANK-600-CV-N26002-R10	Extend temperature Fanless embedded system with Intel® Cedarview N26001.6 GHz processor dure core CPU, with 2G DDR3 RAM onboard, 1 x VGA, Dual GbE, 6 x USB 2.0, 2 x RS-232/422/484, 6 x RS-232, R10, RoHS

Options

Item	P/N	Qty	Description
DIN-rail mounting kit	DK-84MB	1	DIN mount kit for embedded system, black, RoHS
VESA kit		1	VESA 100 mount kit

Packing List

Item	P/N	Qty	Description
Utility CD		1	Drivers and user manual
One Key recovery CD	7B000-000724-RS	1	CD-ROM disk, V1.3, RECOVERYV13.ISO, for One Key recovery, RoHS
Screw set		1	
Wall mount bracket		1	
Power adapter	63040-010065-010-RS	1	Adapter power, FSP, FSP065-RAB, Vin:90~264VAC, 65W, Dim: 46.3*108.3*30mm, Plug=7.5mm, Cable=1500mm, Erp(NO LOAD 0.5W), Vout:19VDC, Φ2.1/Φ5.5/lock, CCL, RoHS
Power cord	32702-000200-100-RS	1	Power cord, european code(VDE), 2, 1830MM, (A) PLUG (16A 250V) SH-005, (B) CONNECTOR (10A 250V) SH-006, Self-Man, CCL, RoHS
DB-78 to 8 COM port cable (TANK-600-CV-D2550/N2600)		1	8 x COM RS-232