

AFL2-W07A-N26

Intel® Atom™ N2600 Dual Core Solution

AFL2-08A-N26

Intel® Atom™ N2600 Dual Core Solution



AFL2-W07A-N26

Features

- Flat-bezel LCD with LED backlight
- Intel® Atom™ N2600 dual core 1.6 GHz processor
- One 800 MHz 204-pin DDR3 SO-DIMM slot (system max. 2GB) pre-installed with 2GB
- Projected capacitive touchscreen and 5-wire resistive type touch screen supported
- Wi-Fi 802.11b/g/n 2T2R high speed wireless
- EM or Mifare RFID reader
- Built-in two 0.8W speakers and microphone
- IP64 compliant front panel
- Auto dimming control



Specifications

	Model	AFL2-W07A-N26	AFL2-08A-N26	
LCD Specifications	Size	Wide 7"	8"	
	Resolution	800 (W) x 480 (H)	800 (W) x 600 (H)	
	Brightness (cd/m ²)	400 cd/m ²	250 cd/m ²	
	Contrast Ratio	500:1	500:1	
	LCD Color	262K/16.2M	16.2 M	
	Pixel Pitch (mm)	0.1905(H) x 0.1905(V)	0.2025(H) x 0.2025(V)	
	Viewing Angle (H-V)	160°(H) / 160°(V)	140°(H) / 130°(V)	
	Backlight MTBF	30000 hrs	30000 hrs	
System	CPU	Intel® Atom™ N2600 dual core 1.6 GHz CPU		
	Chipset	Intel® NM10		
	RAM	Support One 800 MHz 204-pin DDR3 SO-DIMM slot (max. 2GB) pre-installed with 2GB		
	Ethernet	Realtek RTL8111E PCIe GbE controller support ASF2.0		
	SSD	PCIe mSATA		
	Input / Output		1 x RS-232 COM Port (DB-9) 1 x 422/485 COM Port (RJ-11) 1 x GbE LAN (RJ-45) 2 x USB2.0 2 x USB3.0 1 x Audio jack 1 x Display port	1 x Mini USB 2.0 port on front panel 1 x Micro SD card slot on front panel Power switch AT/ATX switch Reset button Clear CMOS button DC input jack
		Expansion Interface	1 x PCIe by 1 for Wi-Fi	
Other Features	Audio	AMP 0.8 W + 0.8 W		
	Microphone	Digital Microphone		
	RFID Reader	EM 125 KHz or Mifare 13.56 MHz card reader (optional)		
	MSR Card Reader	MSR card reader (optional)		
	OSD Function	LCD on/off, brightness up/down, volume up/down, hotkey		
	Ambient Light Sensor	Yes		
	Infrared Remote Controller	Yes		
Touch Screen	5-wire resistive type or projected capacitive type touch screen			
System Cooling	Fanless			
Wireless	1 x Wireless LAN 802.11b/g/n 2T2R module (internal PCIe Mini card interface)		1 x Wireless LAN 802.11b/g/n 2T2R module (internal PCIe Mini card interface) (Optional, internal USB interface, Bluetooth V2.0+EDR)	
Physical	Construction Front Panel	PC + ABS plastic front frame		
	Mounting	Wall, Panel, Stand and VESA 75 mm x 75mm		
	Color	Black		
	Dimensions (mm)	208 (W) x 158.5 (H) x 45.9 (D)	215 (W) x 188 (H) x 46 (D)	
	Weight (N/G)	1.12 kg / 2.08 kg	1.43 kg / 2.2 kg	
Environment	Operating Temperature (°C) (Ambient with air flow)	-20°C ~ 40°C		
	Storage Temperature (°C)	-20°C ~ 60°C		
	Humidity	10% to 95% (non-condensing)		
	IP Level	Front panel IP 64		
	Safety&EMC	CE / FCC		
Power	Power Supply	65W power adapter Input: 100VAC~240VAC, 50/60 Hz, Output: 19VDC		
	Power Requirement	9 ~ 36 VDC		
	Power Consumption	19V@1.1A (Intel® Atom™ N2600 CPU with 2GB DDR3 momory)	19V@1.1A (Intel® Atom™ N2600 CPU with 2GB DDR3 momory)	

Options

Item	AFL2-W07A-N26	AFL2-08A-N26
Panel Mounting Kit	AFL2PK-W07A	
Wall Mounting Kit	AFLWK-12	
Rack Mounting Kit	AFL2RK-W07A	AFL2RK-08A
Stand	STAND-A08/STAND-B08/STAND-C12	
V-stand	VSTAND-A07	
Hybrid Card Reader	AFL2P-07AMSI-U-R10	
Magnetic stripe reader	AFL2P-07AMSR-U-R10	
Bluetooth Module Kit	AFL2-BT-KIT01-R11	
OS: Win CE 6.0 (CD-ROM)	AFL2-W07A-CV-CE060-R10	
OS: Win XPE (CD-ROM)	AFL2-W07A-CV-XPE-R10	
OS: Linux (CD-ROM)	AFL2-W07A-CV-LNX-R10	
OS: Win 7 Embedded (DVD-ROM)	AFL2-W07A-CV-WES7P-R10 (for Projected Capacitive Touch) AFL2-W07A-CV-WES7E-R10 (for Resistive Touch)	


AFL2-08A-N26

Packing List

Item	P/N	Q'ty	Description
Utility CD		1	drivers and user manual
One Key Recovery CD		1	
Power adapter		1	
Power cord	32702-000200-100-RS	1	European standard, 1830mm
Power transfer cord	32702-000300-100-RS	1	
RJ-11 to DB-9 COM port cable		1	
IR Remote Controller	7Z000-SLPCB001-RS	1	
Pen	43125-0002C0-00-RS	1	For Resistive Touch

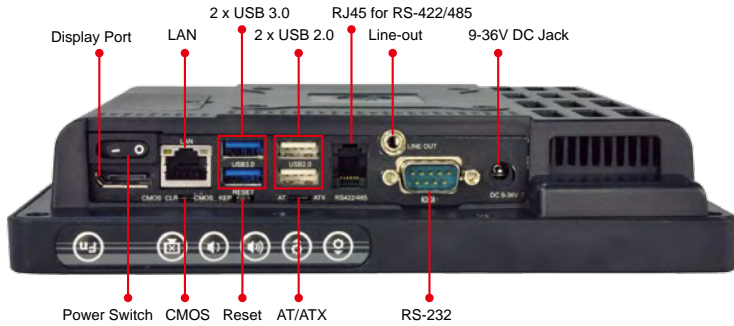
Ordering Information

Part No.	Description
AFL2-W07A-N26	AFL2-W07A-N26/R-EM/2G-R10 7" 350 cd/m ² WVGA fanless panel PC with Intel® Atom™ cedarview N2600 dual core 1.6GHz, 802.11b/g/n wireless module, resistive touch screen, microphone, EM card reader, 2GB DDR3 RAM, R10
	AFL2-W07A-N26/R-MF/2G-R10 7" 350 cd/m ² WVGA fanless panel PC with Intel® Atom™ cedarview N2600 dual core 1.6GHz, 802.11b/g/n wireless module, resistive touch screen, microphone, Mifare card reader, 2GB DDR3 RAM, R10
	AFL2-W07A-N26/R/2G-R10 7" 350 cd/m ² WVGA fanless panel PC with Intel® Atom™ cedarview N2600 dual core 1.6GHz, 802.11b/g/n wireless module, resistive touch screen, microphone, 2GB DDR3 RAM, R10
AFL2-08A-N26	AFL2-08A-N26/R-EM/2G-R10 8" 250 cd/m ² SVGA fanless panel PC with Intel® Atom™ cedarview N2600 dual core 1.6GHz, 802.11b/g/n wireless module, resistive touch screen, microphone, EM card reader, 2GB DDR3 RAM, R10
	AFL2-08A-N26/R-MF/2G-R10 8" 250 cd/m ² SVGA fanless panel PC with Intel® Atom™ cedarview N2600 dual core 1.6GHz, 802.11b/g/n wireless module, resistive touch screen, microphone, Mifare card reader, 2GB DDR3 RAM, R10
	AFL2-08A-N26/R/2G-R10 8" 250 cd/m ² SVGA fanless panel PC with Intel® Atom™ cedarview N2600 dual core 1.6GHz, 802.11b/g/n wireless module, resistive touch screen, microphone, 2GB DDR3 RAM, R10

Rich I/O Interface

AFL2-W07A-N26

AFL2-08A-N26

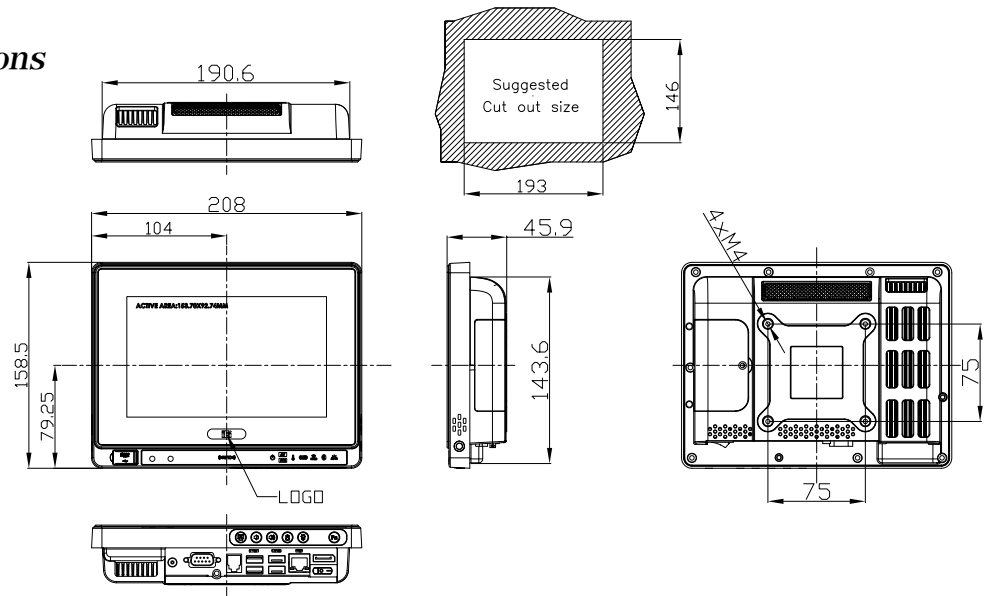


1 x Mini USB port
1 x Micro SD card slot

- Fn** Fn
- [X]** Backlight On/Off
- [Speaker -]** Audio -
- [Speaker +]** Audio +
- [Sun]** Brightness -
- [Sun]** Brightness +
- Fn** + **[X]** RFID Enable/Disable
- Fn** + **[Speaker -]** Audio Mute
- Fn** + **[Speaker +]** Camera Enable/Disable
- Fn** + **[Sun]** Front Side USB Enable/Disable
- Fn** + **[Power]** Power On / Off

AFL2-W07A Dimensions

(Unit: mm)



AFL2-08A Dimensions

(Unit: mm)

