

AFL2-17A-H61

17" AFOLUX GEN II Flat-bezel Panel PC

AFL2-W19A-H61

18.9" AFOLUX GEN II Flat-bezel Panel PC



Features

- Programmable colorful LED light bar
- 2nd Generation Intel® Core™ low power desktop processor
- Two 204-pin DDR3 SO-DIMM slot (system max. 16GB)
- Projected capacitive touchscreen and 5-wire resistive type touch screen supported
- Wi-Fi 802.11b/g/n 2T2R high speed wireless
- EM or Mifare RFID reader
- Built-in 1.5M pixel webcam with AF, AE and AWB capabilities
- Built-in two 1.5W speakers and microphone
- IP64 compliant front panel
- Auto dimming control
- Light fanless technology design

Specifications



Model		AFL2-17A-H61	AFL2-W19A-H61
LCD Specifications	Size	17" (4:3)	W18.9" (16:9)
	Resolution	1280 (W) x 1024 (H)	1440 (W) X 900 (H)
	Brightness	350	250
	Contrast Ratio	1000:1	1000:1
	LCD Color	16.7M	16.7M
	Pixel Pitch (mm)	0.264(H) x 0.264 (V)	0.2835(H) x 0.2835(V)
	Viewing Angle (H-V)	170° / 170°	170° / 160°
	Backlight MTBF	50,000	30,000
System	CPU	2nd Generation Intel® Core™ low power desktop processor	
	Chipset	Intel® H61	
	RAM	Support two 204-pin DDR3 SO-DIMM slot (max. 16G)	
	Ethernet	Realtek RTL8111E PCIe GbE controller support ASF2.0	
	SSD	N/A	
	HDD	2.5" SATA 2.0 HDD bay	
Input / Output	CD-ROM	1 x Slim Type CD-ROM bay	
	Input / Output	2 x RS-232 (DB-9 connector) RS-422/485 (DB-9 connector) 2 x GbE LAN (1 on bottom side 1 on left side) 2 x USB 3.0 2 x USB 2.0 (2 on bottom side 1 on left side) Mini USB 2.0 port on front panel SD card slot on front panel 1 x Line out , MIC (on Left side)	VGA port (DB15 connector) HDMI port Power switch AT/ATX switch Reset button Clear CMOS button 9 ~ 36V DC input jack
	Expansion Interface	2 x PCIe by 1 expansion interface 1 x PCIe Mini slot for WiFi 1 x PCIe Mini slot reserved	
Other Features	Audio	AMP 1.5 W + 1.5 W (internal speaker)	
	Camera	1.3 M pixels with low light function	
	RFID Reader	EM 125 KHz or Mifare 13.56 MHz card reader (optional)	
	MSR card reader	MSR card reader (Optional)	
	OSD Function	LCD on/off, brightness up/down, volume up/down, Hot Key	
	Ambient Light Sensor	Yes	
	Infrared Remote Controller	Yes	
	Touch Screen	Yes	
	TPM	5-wire resistive type or projected capacitive type touch screen	
	LED Light Bar	Yes	
Wireless	Fan Design	Light fanless	Light fanless
		1 x Wireless LAN 802.11 b/g/n module (internal PCIe Mini card interface) 1 x Bluetooth function (Optional, internal USB interface, Bluetooth V2.1+EDR)	
Physical	Construction Front Panel	ABS + PC Plastic	
	Mounting	Panel Wall, Rack, Stand and Arm VESA 100 mm x 100 mm	
	Color	Black	
	Dimensions (mm)	418(W) x 378(H) x 65(D)	488(W) x 361(H) x 65(D)
Environment	Weight (N/G)	6.9 kg / 9.0 kg	7.9 kg / 10 Kg
	Temperature (°C)	Operation: -20°C ~ 50°C, Storage: -20°C ~ 60°C	
Power	IP Level	Front panel IP 64	
	Power Supply	90 W power adapter Input:100 V AC ~ 240 V AC, 50 / 60Hz Output: 19 V DC	
	Power Requirement	9 ~ 36 VDC	
	Power Consumption	75W (Intel® Core™ i3-2100T CPU with 4G 1333 DDR3 memory)	80W (Intel® Core™ i3-2100T CPU with 4G 1333 DDR3 memory)

Ordering Information

	Part No.	Description
AFL2-17A	AFL2-17A-H61/PC-EM-R10	17" 350cd/m ² XGA panel PC, 802.11b/g/n wireless module, projective capacitive touchscreen, 1.3M camera, microphone, EM card reader, R10
	AFL2-17A-H61/PC-MF-R10	17" 350cd/m ² XGA panel PC, 802.11b/g/n wireless module, projective capacitive touchscreen, 1.3M camera, microphone, Mifare card reader, R10
	AFL2-17A-H61/PC-R10	17" 350cd/m ² XGA panel PC, 802.11b/g/n wireless module, projective capacitive touchscreen, 1.3M camera, microphone, R10
	AFL2-17A-H61/R-EM-R10	17" 350cd/m ² XGA panel PC, 802.11b/g/n wireless module, resistive touch screen, 1.3M camera,microphone, EM card reader, R10
	AFL2-17A-H61/R-MF-R10	17" 350cd/m ² XGA panel PC, 802.11b/g/n wireless module, resistive touch screen, 1.3M camera,microphone, Mifare card reader, R10
	AFL2-17A-H61/R-R10	17" 350cd/m ² XGA panel PC, 802.11b/g/n wireless module, resistive touch screen, 1.3M camera, microphone, R10
AFL2-W19A	AFL2-W19A-H61/PC-EM-R10	18.9" 250cd/m ² XGA panel PC, 802.11b/g/n wireless module, projective capacitive touchscreen,1.3M camera, microphone, EM card reader, R10
	AFL2-W19A-H61/PC-MF-R10	18.9" 250cd/m ² XGA panel PC, 802.11b/g/n wireless module, projective capacitive touchscreen,1.3M camera, microphone, Mifare card reader, R10
	AFL2-W19A-H61/PC-R10	18.9" 250cd/m ² XGA panel PC, 802.11b/g/n wireless module, projective capacitive touchscreen,1.3M camera, microphone, R10
	AFL2-W19A-H61/R-EM-R10	18.9" 250cd/m ² XGA panel PC, 802.11b/g/n wireless module, resistive touch screen,1.3M camera,microphone, EM card reader, R10
	AFL2-W19A-H61/R-MF-R10	18.9" 250cd/m ² XGA panel PC, 802.11b/g/n wireless module, resistive touch screen,1.3M camera,microphone,Mifare card reader, R10
	AFL2-W19A-H61/R-R10	18.9" 250cd/m ² XGA panel PC, 802.11b/g/n wireless module, resistive touch screen,1.3M camera, microphone, R10
CPU Selection	CPU-DT-i7-2600S	2nd Generation Intel® Core™ i7 Processor [Desktop], LGA-1155,dual core 3.4GHz, 65W
	CPU-DT-i5-2390T	2nd Generation Intel® Core™ i5 Processor [Desktop], LGA-1155,dual core 2.7GHz, 35W
	CPU-DT-i3-2100T	2nd Generation Intel® Core™ i3 Processor [Desktop], LGA-1155, Dual core 2.5GHz, 35W
	CPU-DT-P-G630T	Intel® Pentium® Desktop processor, LGA-1155, dual core 2.3GHz, 35W
	CPU-DT-C-G530T	Intel® Celeron® Desktop processor, LGA-1155, dual core 2.0GHz, 35W
Memory Selection	DDR3-SO-1333-2GB	SO-DIMM DDR3 1333 2GB
	DDR3-SO-1333-4GB	SO-DIMM DDR3 1333 4GB

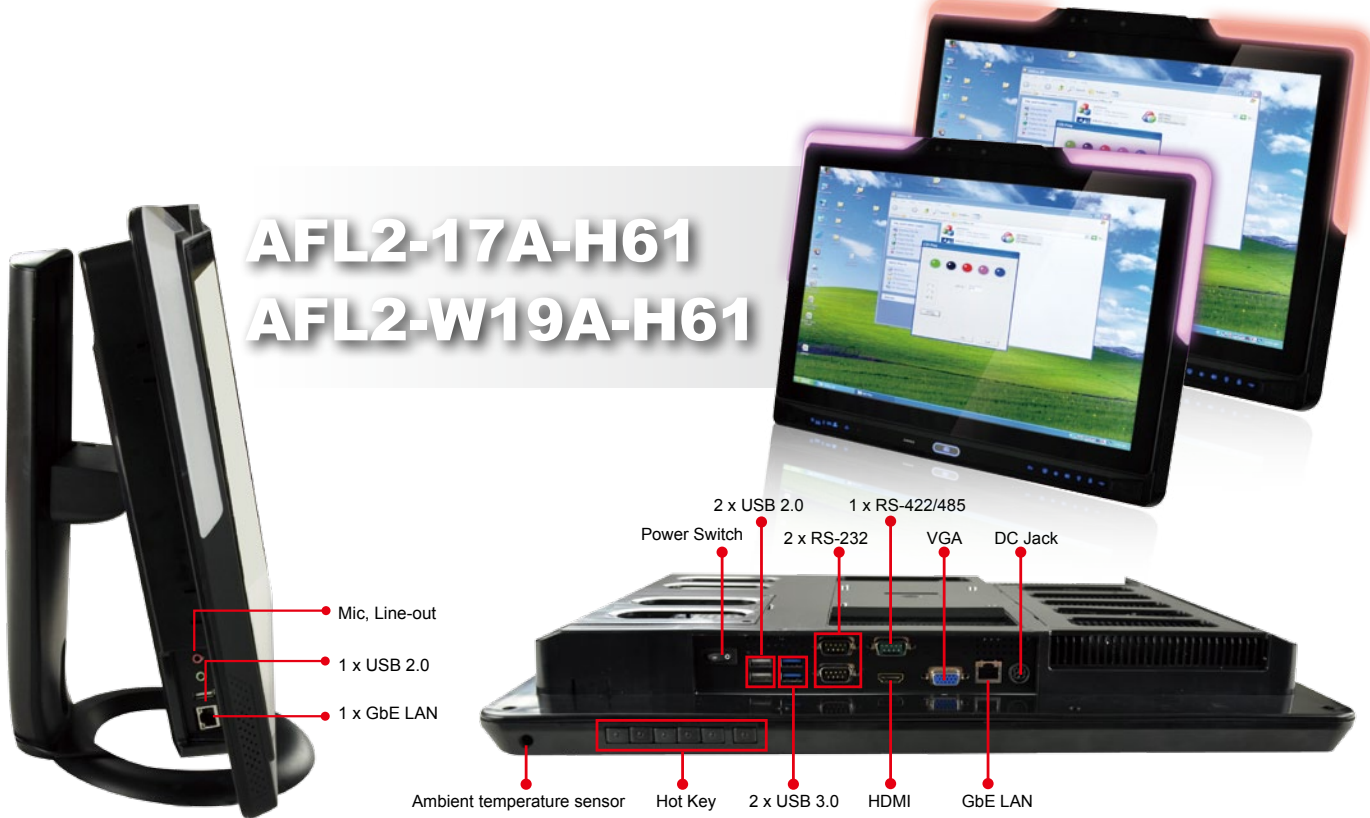
Options

Item	AFL2-17A-H61	AFL2-W19A-H61
Panel Mounting Kit	AFL2PK-17	AFL2PK-W19
Wall Mounting Kit	AFLWK-19/AFLWK-19B	
Rack Mounting Kit	AFLRK-17	AFLRK-W19
ARM	ARM-11-RS/ARM-31-RS	
Stand	STAND-A12/ STAND-A19/ STAND-B19/ STAND-C19/ STAND-210-R11	
Hybrid Card Reader	AFL2P-12AMSI-U-R10	
Magnetic Stripe rReader	AFL2P-12AMSR-U-R10	
DVD-ROM	73400-AD7700S01-RS	
Bluetooth Module Kit	AFL2-BT-KIT01-R10	
OS: Win CE 6.0 (128MB CF Card)	AFL2CF-17A-H61-CE060-128M-R10	
OS: Win XPE (2GB CF Card)	AFL2CF-17A-H61-XPE-2G-R10	
OS: Win XPE (4GB CF Card)	AFL2CF-17A-H61-XPE-4G-R10	
OS: Linux (2GB CF Card)	AFL2CF-17A-H61-LNX-2G-R10	
OS: Win 7 Embedded (4GB CF Card)	AFL2CF-17A-H61-WES7P-4G-R10 AFL2CF-17A-H61-WES7E-4G-R10	

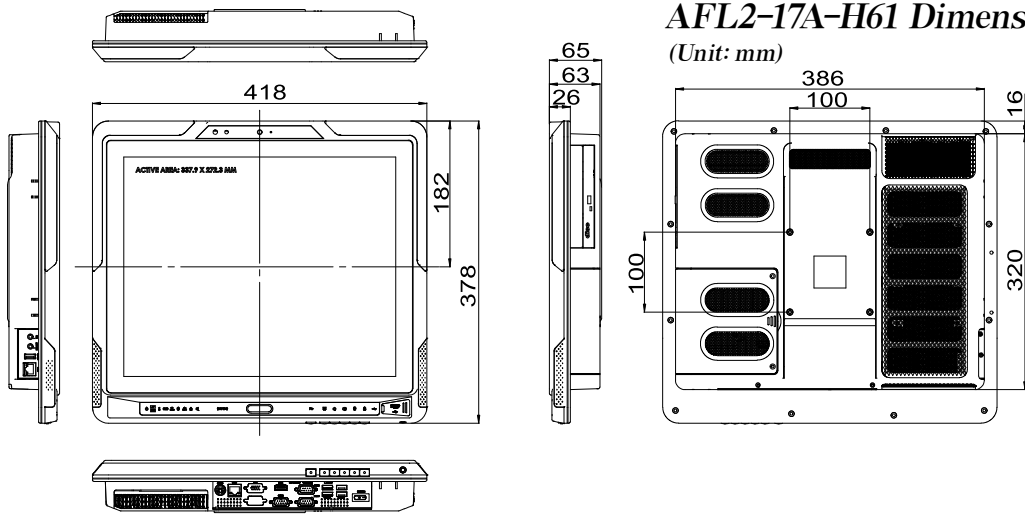
Packing List

Item	P/N	Qty	Description
Utility CD		1	drivers and user manual
One Key Recovery CD	7B000-000724-RS	1	
Power adapter	63040-010090-020-RS	1	adaptor 90W
Power cord	32702-000401-100-RS	1	European, 1500mm
Power transfer cord	32000-089400-RS	1	
RJ-45 to DB9 COM port cable	32005-000200-200-RS	1	
IR Remote Controller	7Z000-SLPCB005-RS	1	

AFL2-17A-H61 AFL2-W19A-H61



AFL2-17A-H61 Dimensions (Unit: mm)



AFL2-W19A-H61 Dimensions (Unit: mm)

