

FLEXPOINT® Machine Vision Lasers

MVmicro Series

The new FLEXPOINT® MVmicro series was developed for stand alone machine vision applications, primarily in use together with industrial cameras. The MVmicro lasers are available with different line optics and wavelengths. Output powers up to 100 mW and a sophisticated focusing and beam alignment mechanism make them a universal tool for industrial inspection and 3D triangulation.



FEATURES:

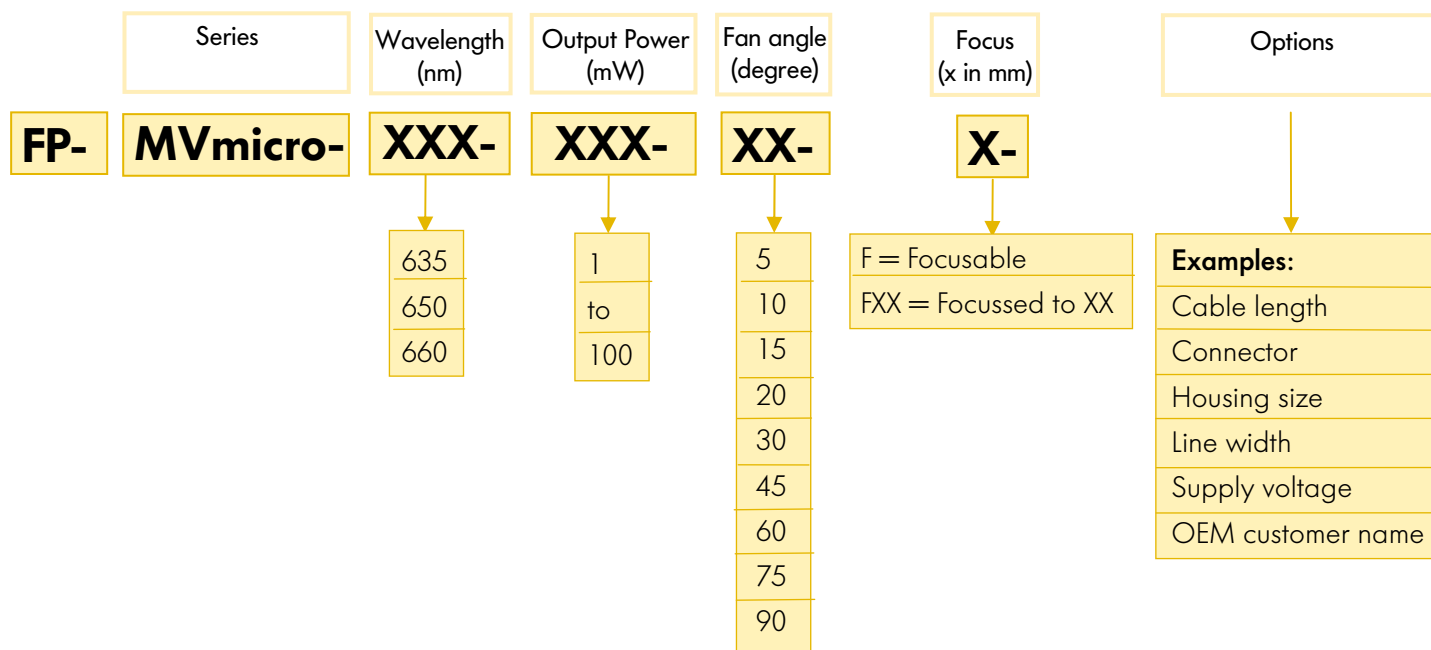
- Uniform line
- Adjustable focus without removing the line optics
- Adjustable line uniformity
- Superior line and focussing quality
- Up to 100 mW
- Digital and analogue modulation
- Ruggedized housing for stand-alone applications

SPECIFICATIONS

Fan angle	5, 10, 15, 20, 30, 45, 60, 75, 90 deg.
Line uniformity	± 20% (related to average power, within 80% of the line)
Wavelength	635 nm, 650 nm, 660 nm
Wavelength stability	≤ 0,25 nm/°C
Output power	≤ 100 mW (depends on wavelength)
Output power stability	< 5 % (after warm up at 25 °C)
Modulation (option)	digital, 0 – 10 kHz (active low, higher frequency on request)
Power adjustment	by potentiometer or control wire 0 – 5 V (active low)
Bore sighting	10 mrad
Pointing stability	10 µrad/°C
Focus	adjustable
Operating voltage	4.5 – 30 V (reverse voltage protection)
Current consumption	< 200 mA
Operating temperature (housing)	-20 to +50 °C (depends on wavelength)
Storage temperature	-20 to +60 °C
Housing material	Aluminum, red anodized, potential free
Housing dimensions	l = 65 mm, Ø 19 mm
Protection class	IP54, IP67 as option
Connector	M12 sensor connector Pin 1: + Pin 2: Modulation / Potentiometer (option) Pin 3: GND Pin 4: Potentiometer (option)



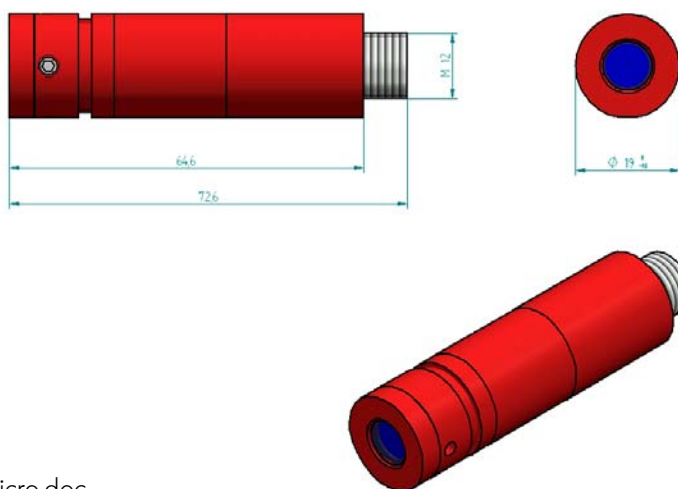
ORDERING CODE FLEXPOINT MVmicro SERIES



STANDARD LASERS

FP-MVmicro-660-100-30-F	(660 nm, 100 mW, 30° fan angle, focusable)
FP-MVmicro-660-50-90-F	(660 nm, 50 mW, 90° fan angle, focusable)
FP-MVmicro-660-50-45-F	(660 nm, 50 mW, 45° fan angle, focusable)
FP-MVmicro-660-30-20-F	(660 nm, 30 mW, 20° fan angle, focusable)
FP-MVmicro-660-10-15-F	(660 nm, 10 mW, 15° fan angle, focusable)

Any other configuration (wavelength / output power / fan angle) available.



10/10 / V1 / IF / lcm/ mv_micro.doc