

IBX-300

Dual Core Fanless Box for Digital Security and Surveillance



Fanless

Features

- ◆ Dual core computing power in 1 liter compact box
- ◆ New generation Intel® Atom™ D510 1.66GHz processor inside
- ◆ 8 channels real time video capture with D1 resolution
- ◆ VGA display resolution up to 2048 *1536
- ◆ Support one 2.5" SATA hard drive



8 Channels Video Capturing	
Video capture Engine	Conexant CX25853
Video Input	8 channels composite video(NTSC/PAL/SECAM)
Video ADC	10-bit
Max. resolution	720 x 480(NTSC), 720x576(PAL/SECAM)
Frame rate	NTSC: 8 channels with 30fps@D1 per channelPAL/SECAM: 8 channels with 25fps@D1 per channel
Driver support	Windows XP, Vista

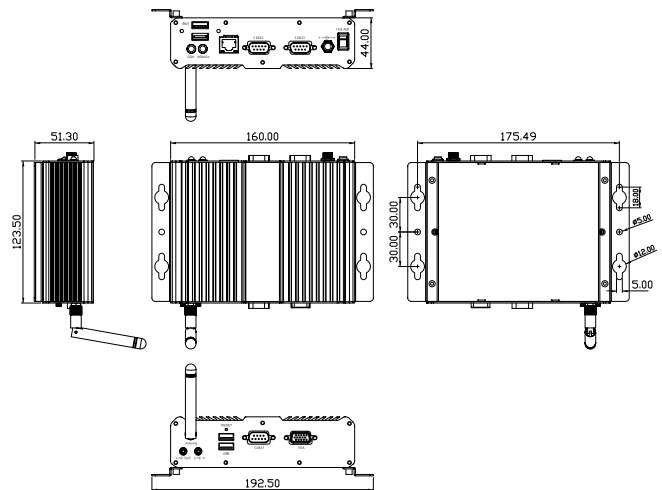


Specifications

Processor	Intel® Atom™ Processor D510 1.66GHz/ 2x 512KB L2 Cache
Chipset	Intel® Atom™ D510 + ICH8M
Video Capture Engine	Conexant CX25853 Multiport Composite Video Decoder (8 inputs by cable) Conexant CX25821 PCIe Media Bridge
System Memory	Built-in 1G DDR2 SDRAM SO-DIMM
Ethernet	1 x GbE (Intel® 8567)
Display	VGA (resolution up to 2048 *1536@60Hz)
USB	4 x USB 2.0
Serial Port	1 x RS-232
Audio	1 x mic in, 1 x line out
Storage	1 x 2.5" SATA HDD
Wireless (optional)	802.11 b/g for wireless model (WMUSB-V01-R10)
Power Input	12VDC in
Operating Temperature	0~ 35°C(with HDD) with air flow*
Operating shock	Half-sine wave shock 3G; 11ms; 3 shocks per axis
Operating Vibration	MIL-STD-810F 514.5C-1
Weight (Net/Gross)	1.0 kg / 2.8 kg
Dimensions (DxWxH)	160mm(W) x 123.5mm(D) x 51.3mm (H)
Mounting	Desktop, wall mount, VESA mount (optional)

* Ambient air speed pre IEC-68-2-2 standard

Dimensions (Unit:mm)



Packing List

1 x QIG	1 x SATA hard drive cable
1 x Driver CD	1 x Power adaptor
2 x Quad channel BNC cable	1 x wall mount kit
1 x Screw set	1 x 2dbi wireless antenna (for wireless model only)

Ordering Information

Part No.	Description
IBX-300-PV-D510-R10	Fanless embedded system with Intel® Atom™ Processor dual core D510 1.66G CPU for surveillance, built-in 1GB DDR2 memory, 60W power adaptor, Blue, RoHS