



**For Security  
Zoom**

**MP** MEGA PIXELS

**D8x7.8HA-YE2**

Applicable camera (model)

1 2/3 1/2 1/3 1/4

8x



\*Photograph is a similar model.

- Standard zoom lens with excellent cost performance.
- High image-quality monitoring with optical performance supporting 1.3 megapixels.
- Wide aperture of F1.2, providing optimal performance under low light intensity.
- Compact and lightweight design, allowing easy storage into small housings.
- Built-in ND filter of T400, providing support for high sensitivity cameras.
- Multi power compatibility (6V, ±6V, 12V, ±12V), for use with existing control systems.

**ZOOM**  
Zoom

**WIDE**  
Wide Angle

**MOTOR DRIVE**  
Motor Drive

**1.3 Mega**  
For Megapixel Camera

**DC**  
DC Auto Iris

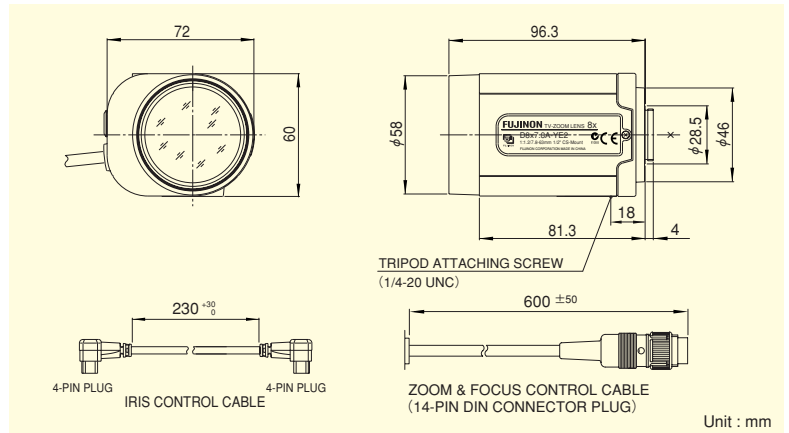
**CS-mt**  
CS Mount

**METAL**  
Metal Mount

**PRESET**  
Potentiometer

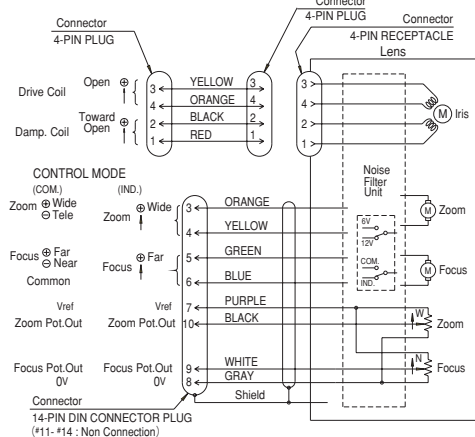
**ND**  
ND Filter

**F1.2**  
Wide Aperture Rate



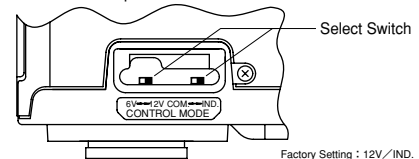
Focal Length (mm)		7.8~63 (8x)	
Iris Range		F1.2 ~ T400 (Equivalent to F400)	
Operation	Zoom	Motor Drive	
	Focus	Motor Drive	
	Iris	Auto (DC Type) (*1)	
Angle Of View (HxV)	1/2"	WIDE	44°37' X 34°12'
		TELE	5°49' X 4°22'
	1/3"	WIDE	34°12' X 25°59'
		TELE	4°22' X 3°16'
1/4"	WIDE	25°59' X 19°38'	
	TELE	3°16' X 2°27'	
Focusing Range (From Front Of The Lens) (m)		∞ ~ 1.2	
Object Dimensions at M.O.D. (HxV) (mm)	1/2"	WIDE	944 X 708
		TELE	117 X 88
	1/3"	WIDE	708 X 531
		TELE	88 X 66
1/4"	WIDE	531 X 398	
	TELE	66 X 49	
Back Focal Distance (in air) (mm)		14.00	
Exit Pupil Position (From Image Plane) (mm)		-55	
Filter Thread (mm)		M55 X 0.75	
Mount		CS	
Mass (g)		400	
Coil Resistance		Drive Coil	200Ω
		Damping Coil	700Ω
Current Consumption		22mA (Max.) at DC 4V	
Standard Accessories		Iris Control Cable Connection Connector (10-pin)	
Remarks		• With Metal Mount (*1) When power is turned off, iris will automatically close.	

**Wiring**



**Control Mode**

**(Top View)**



Controller output	Select switch position
6V	6V / IND.
±6V	6V / COM.
12V	12V / IND.
±12V	12V / COM.

**Accessories**

**Close-up Lens**

Product Name		CL3355 (M55x0.75mm fc=333mm)	CL10055 (M55x0.75mm fc=1000mm)
Imaging Area (mm)		333~261	1000~545
Object Dimensions (mm)	1/2"	WIDE	205X153
		TELE	25X19
	1/3"	WIDE	153X115
		TELE	19X14
1/4"	WIDE	115X86	
	TELE	14X11	



**For Security  
Zoom**

**MP**  
MEGA  
PIXELS

**D8x7.8HA-SE2**

Applicable camera (model)

1 2/3 1/2 1/3 1/4

8x



\*Photograph is a similar model.

- Standard zoom lens with excellent cost performance.
- High image-quality monitoring with optical performance supporting 1.3 megapixels.
- Wide aperture of F1.2, providing optimal performance under low light intensity.
- Compact and lightweight design, allowing easy storage into small housings.
- Built-in ND filter of T400, providing support for high sensitivity cameras.
- Multi power compatibility (6V, ±6V, 12V, ±12V), for use with existing control systems.

**ZOOM**  
Zoom

**WIDE**  
Wide Angle

**MOTOR DRIVE**  
Motor Drive

**1.3 Mega**  
For Megapixel Camera

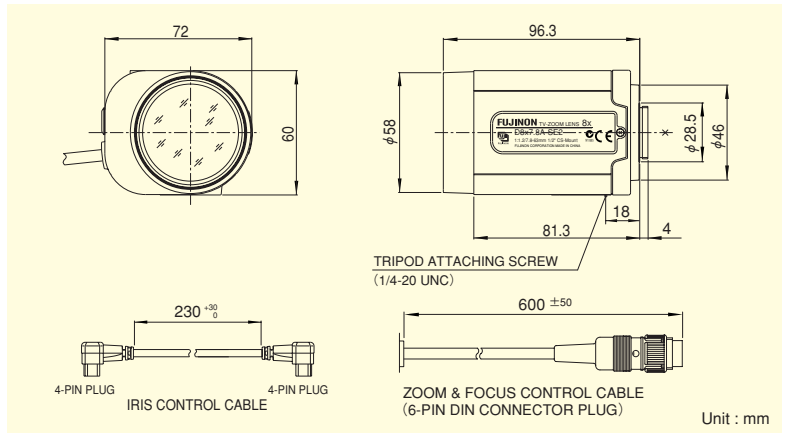
**DC**  
DC Auto Iris

**CS-mt**  
CS Mount

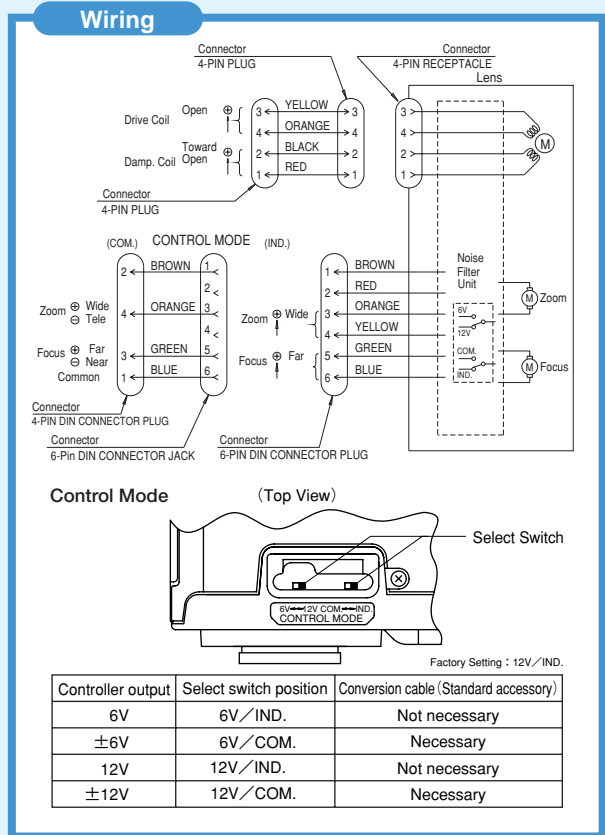
**METAL**  
Metal Mount

**ND**  
ND Filter

**F1.2**  
Wide Aperture Rate



Focal Length (mm)		7.8~63 (8x)	
Iris Range		F1.2 ~ T400 (Equivalent to F400)	
Operation	Zoom	Motor Drive	
	Focus	Motor Drive	
	Iris	Auto (DC Type) (*1)	
Angle Of View (H×V)	1/2"	WIDE	44°37' × 34°12'
		TELE	5°49' × 4°22'
	1/3"	WIDE	34°12' × 25°59'
		TELE	4°22' × 3°16'
	1/4"	WIDE	25°59' × 19°38'
		TELE	3°16' × 2°27'
Focusing Range (From Front Of The Lens) (m)		∞ ~ 1.2	
Object Dimensions at M.O.D. (H×V) (mm)	1/2"	WIDE	944 × 708
		TELE	117 × 88
	1/3"	WIDE	708 × 531
		TELE	88 × 66
	1/4"	WIDE	531 × 398
		TELE	66 × 49
Back Focal Distance (in air) (mm)		14.00	
Exit Pupil Position (From Image Plane) (mm)		-55	
Filter Thread (mm)		M55 × 0.75	
Mount		CS	
Mass (g)		400	
Coil Resistance		Drive Coil	200Ω
		Damping Coil	700Ω
Current Consumption		22mA (Max.) at DC 4V	
Standard Accessories		Iris Control Cable Conversion Cable (6-pin→4-pin) Connection Connector (4-pin, 6-pin)	
Remarks		• With Metal Mount (*1) When power is turned off, iris will automatically close.	



**Accessories**

■ Close-up Lens

Product Name		CL3355 (M55×0.75mm fc=333mm)	CL10055 (M55×0.75mm fc=1000mm)
Imaging Area (mm)		333~261	1000~545
Object Dimensions (mm)	1/2"	WIDE	205×153
		TELE	25×19
	1/3"	WIDE	153×115
		TELE	19×14
	1/4"	WIDE	115×86
		TELE	14×11



**For Security Zoom**

**MP<sup>+</sup>** MEGA PIXELS

# D8x7.8HA-V42

Applicable camera (model)

1 2/3 1/2 1/3 1/4

**8x**

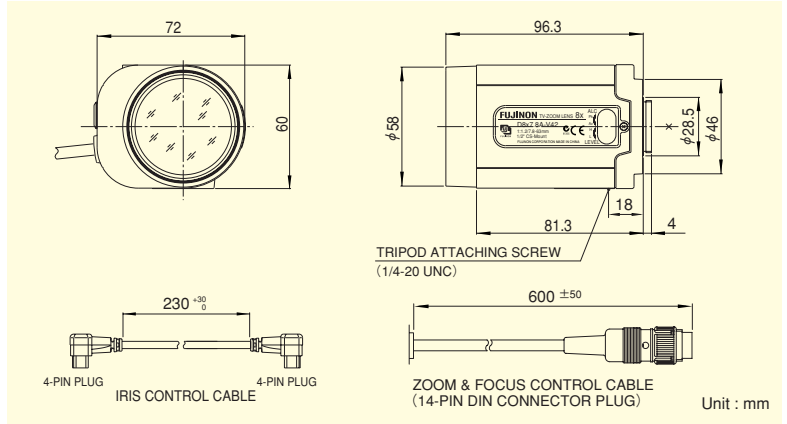


\*Photograph is a similar model.

- Standard zoom lens with excellent cost performance.
- High image-quality monitoring with optical performance supporting 1.3 megapixels.
- Wide aperture of F1.2, providing optimal performance under low light intensity.
- Compact and lightweight design, allowing easy storage into small housings.
- Built-in ND filter of T400, providing support for high sensitivity cameras.
- Multi power compatibility (6V, ±6V, 12V, ±12V), for use with existing control systems.
- Auto iris is remotely operable, allowing light intensity to be fine adjusted according to the monitoring target.

**ZOOM** Zoom    **WIDE** Wide Angle    **MOTOR DRIVE** Motor Drive    **1.3 Mega** For Megapixel Camera    **VIDEO** Video Auto Iris    **IRIS-REMOTE** Iris Remote    **CS-mt** CS Mount

**METAL** Metal Mount    **PRESET** Potentiometer    **ND** ND Filter    **F1.2** Wide Aperture Rate



Focal Length (mm)		7.8~63 (8x)	
Iris Range		F1.2 ~ T400 (Equivalent to F400)	
Operation	Zoom	Motor Drive	
	Focus	Motor Drive	
	Iris	Auto (Video Type) or Remote (*1)	
Angle Of View (HxV)	1/2"	WIDE	44°37' X 34°12'
		TELE	5°49' X 4°22'
	1/3"	WIDE	34°12' X 25°59'
		TELE	4°22' X 3°16'
	1/4"	WIDE	25°59' X 19°38'
		TELE	3°16' X 2°27'
Focusing Range (From Front Of The Lens) (m)		∞ ~ 1.2	
Object Dimensions at M.O.D. (HxV) (mm)	1/2"	WIDE	944 X 708
		TELE	117 X 88
	1/3"	WIDE	708 X 531
		TELE	88 X 66
	1/4"	WIDE	531 X 398
		TELE	66 X 49
Back Focal Distance (in air) (mm)		14.00	
Exit Pupil Position (From Image Plane) (mm)		-55	
Filter Thread (mm)		M55 X 0.75	
Mount		CS	
Mass (g)		400	
Standard Accessories		Iris Control Cable Connection Connector (14-pin)	
Remarks		<ul style="list-style-type: none"> <li>• With Metal Mount</li> <li>(*1) When power is turned off, iris will automatically close.</li> </ul>	

### Wiring

**Control Mode (Top View)**

Select Switch

Factory Setting : 12V / IND.

Controller output	Select switch position
6V	6V / IND.
±6V	6V / COM.
12V	12V / IND.
±12V	12V / COM.

### Accessories

#### Close-up Lens

Product Name		CL3355 (M55x0.75mm fc=333mm)	CL10055 (M55x0.75mm fc=1000mm)
Imaging Area (mm)		333~261	1000~545
Object Dimensions (mm)	1/2"	WIDE	205x153
		TELE	25x19
	1/3"	WIDE	153x115
		TELE	19x14
	1/4"	WIDE	115x86
		TELE	14x11