

# IPC910H

Socket Type Intel® Core™2 Duo Fanless System with 2 PCIe Expansion

*New*



## Features

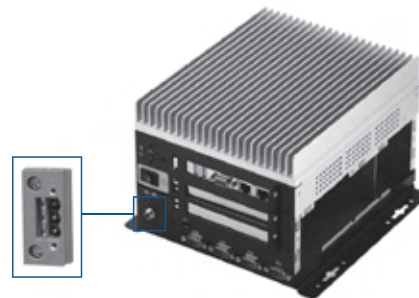
- ▶ Socket type Intel® Core™2 Duo/Core™ Duo/Celeron® M processor
- ▶ Intel® 945GME chipset
- ▶ Dual 1000/100/10 LAN ports
- ▶ 6 USB 2.0/VGA
- ▶ 3 RS-232 and 1 RS-232/422/485 DB9 connectors
- ▶ 2 PCIe slots (1 PCIe x1 & 1 PCIe x4 or 2 PCIe x1)
- ▶ DC to DC power supply supports 18V to 28V



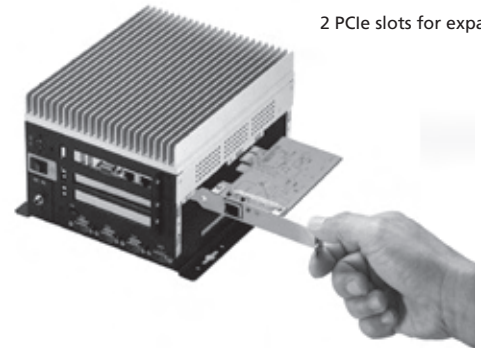
Front view



Rear view



Din-jack for IPC910H-D  
Phoenix plug for IPC910H-P



2 PCIe slots for expansion

## Specifications

Standard Color	Silver
Construction	Heavy-duty cold-rolled steel
CPU	Supports Intel® Core™2 Duo/Core™ Duo/Celeron® M in socket M processor
System Board	SHB210VGG
System Memory	2 x 200-pin DDR2 533/667 MHz SODIMM socket, up to 4 GB
I/O interface-Rear	ATX power on/off switch 1 x 2-pin connector output for remote power on/off switch Din Jack DC-in power connector for 18V~28V DC power input 1 x PS/2 keyboard/mouse 1 x VGA connector 2 x USB 2.0 port 2 x G.E. LAN port 4 x serial port (3 x RS-232 ; 1 x RS-232/422/485)
I/O Interface-Front	4 x USB 2.0 port HDD access/power LEDs

Expansion Slot	2 PCIe slots (1 PCIe x1 & 1 PCIe x4 or 2 PCIe x1)
Drive Capacity	Internal: 1 x 2.5" driver bay 1 x onboard CompactFlash™ Socket
Power Supply	DC to DC power supports 18 to 28V <sub>dc</sub> ( Max: 90W ) Power input: 90 to 264V <sub>ac</sub> 6.32A 47/63Hz Power output: 19V <sub>dc</sub> 1 x external 120W AC adapter (for Din-Jack use)
Operating Temperature	Ambient with air flow: -5°C ~ 45°C (CPU Loading 100%)
Storage Temperature	-20°C ~ 80°C
Humidity	10% ~ 90% (non-condensing)
Weight	12 kg (2.8 lb)
OS Support	Windows® 2000, Windows® XP, Window® XP Embedded
Certification	CE
Dimensions (W x D x H)	7.4" (188 mm) x 9.48" (241.2 mm) x 5.9" (150.4 mm)

\* All specifications and photos are subject to change without notice.

## Ordering Information

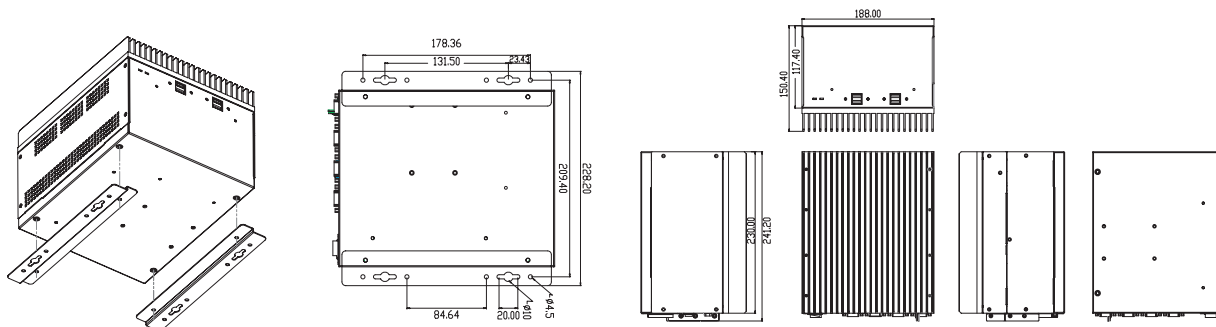
IPC910H-D	Socket type Intel® Core™ 2 duo fanless system with 2 PCIe expansion slots for Din-jack power connector
IPC910H-P	Socket type Intel® Core™ 2 duo fanless system with 2 PCIe expansion slots for Phoenix power connector

\* Specifications and certifications are limited to optional.

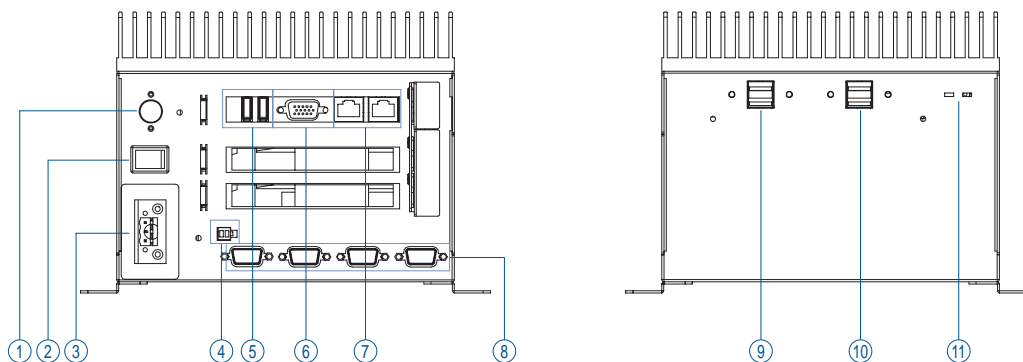
## Optional Items

2.5" SATA HDD: 120 GB, 160 GB, 200 GB, 250 GB
Intel® Core™2 Duo processor: T7400 (E9B0B0D050)2.16 GHz
Intel® Core™ Duo processor: T2500 (E9B0C0D050)2.0 GHz
Intel® Core™ Duo processor: T2300E (E9B0A0D030)1.66 GHz
Intel® Celeron® M processor: Celeron® M 530 1.73 GHz
Intel® Celeron® M processor: Celeron® M 440 1.86 GHz
DDR2 SODIMM : 512 MB, 1 GB, 2 GB
CompactFlash™ : 1 GB, 2 GB, 4 GB, 8 GB
Embedded OS: XPe SP2 OS Image and License for IPC-910H

## Dimensions



## Front & Rear Metal Panel I/O Layout



- |  |                  |                 |                         |
|--|------------------|-----------------|-------------------------|
| 1. PS/2 x 1 (K/B+M/S)                      | 4. S/W connector | 7. LAN port x 2 | 10. USB 2.0 x 2         |
| 2. Power switch                            | 5. USB 2.0 x 2   | 8. COM port x 4 | 11. LED for power & HDD |
| 3. Power connector (DC-IN or phoenix plug) | 6. VGA port      | 9. USB 2.0 x 2  |                         |