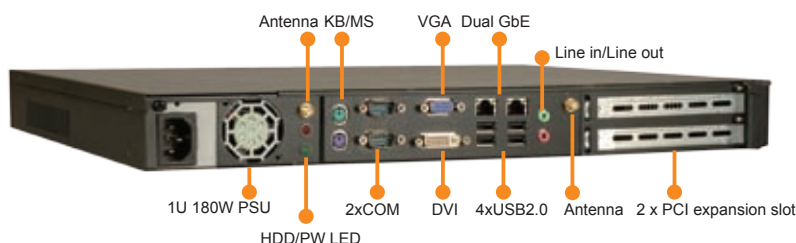


ECK-1000

1U Mini-ITX system with 2 x PCI slots



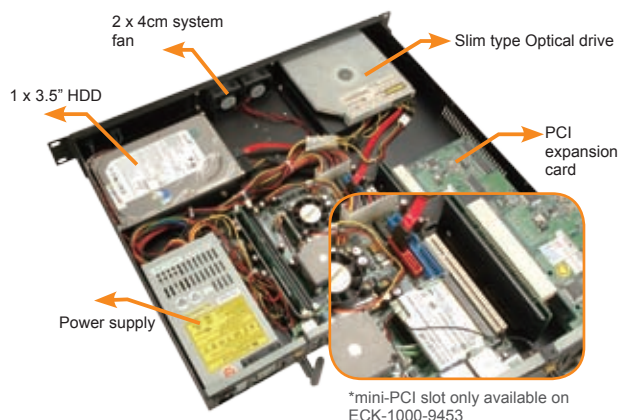
CD-ROM, HDD, and wireless antenna are optional items.

Specifications

Model No.	ECK-1000-9453	ECK-1000-690S1
SBC	KINO-9453	KINO-690S1
Processor	Socket M Intel Core 2 Duo, Core Duo/Solo with 667 FSB	AMD Socket S1 Turion 64, Turion 64x2, Mobile Sempron up to 1600MHz
Chipset	Intel 945GM + ICH7M	AMD RS690 + SB600
System Memory	2 x 240pin dual channel DDRII up to 4GB	2 x 200pin SO-DIMM DDRII up to 2GB
Ethernet	Dual Broadcom GbE (BCM5787M)	
Display	1 x DVI, 1 x VGA	
USB	4 x USB 2.0	
Serial Port	2 x RS-232	
Audio	1 x speaker out, 1 x line-in	
Storage	1 x 3.5", 1 x 2.5" HDD capacity 1 x slim type optical drive	
Power Input	AC 110V~264V	
Chassis Construction	Heavy duty metal	
Operating Temperature	0~45°C	
Operating shock	1 g / 5 ~ 500Hz/ random operation (HDD)	
Operating Vibration	MIL-STD 810.5F	
Weight (Net/Gross)	5.8kg / 8.3 kg	
Dimensions (DxWxH)	352mm x 430mm x 44mm	
Mounting	RACK mount, wall mount , optional VESA 100 mount kit	

Main Features

- Standard 1U rackmount solution with Intel Core 2 Duo / AMD Turion/AMD Sempron inside
- Support VGA + DVI Dual Display in single system
- Rich expansion interfaces including 2 x PCI and 1 x mini-PCI*
- Mounting Kit for rear side of standard LCD Display



*mini-PCI slot only available on ECK-1000-9453

Optional Items

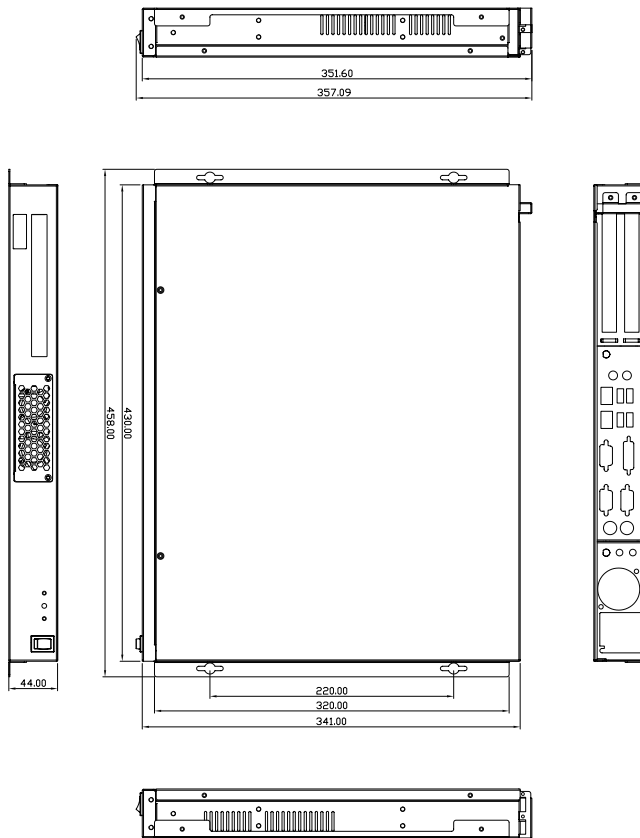
Part No.	Description
WMR-01-R10	802.11 b+g wireless mini-PCI module with Realtek RTL8185L
WMV-01-R10	802.11 b+g wireless mini-PCI module with VIA VT6655
WMRA-01-R10	802.11 b+g wireless mini-PCI module with Ralink RT2561ST
32500-000500-RS	2dBi 109mm Antenna
32500-001000-RS	5dBi 173mm Antenna
32100-143900-RS	RF cable, 300mm, 28AWG, RoHS

Ordering Information

Part No.	Description
ECK-1000-9453-R10	1U mini-ITX embedded system, Intel Socket M with 945GM, FSB 667MHz, DVI & VGA dual display, 1 x mini-PCI and 2 x PCI expansion slots, with 180W ATX AC power supply, black, RoHS
ECK-1000-690S1-R10	1U mini-ITX embedded system, AMD Socket S1 with RS690, DVI & VGA dual display, 2 x PCI expansion slots, with 180W ATX AC power supply, black, RoHS
ECK-1000VK	VESA 100 mount kit for ECK-1000, black, RoHS

Dimensions

Measurement Unit : mm



Application - Flight Information Display



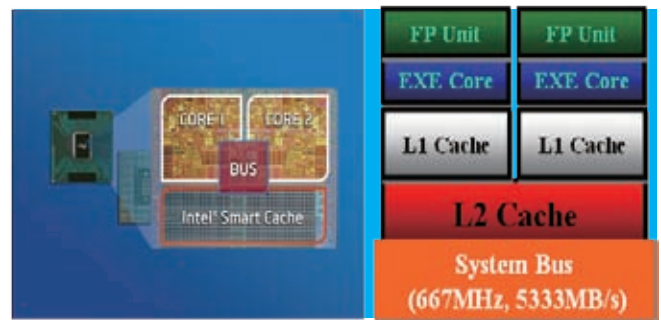
Application features:

- Constant information update via Ethernet
- Large size display in portrait or landscape mode
- Dual display or multi display at single location

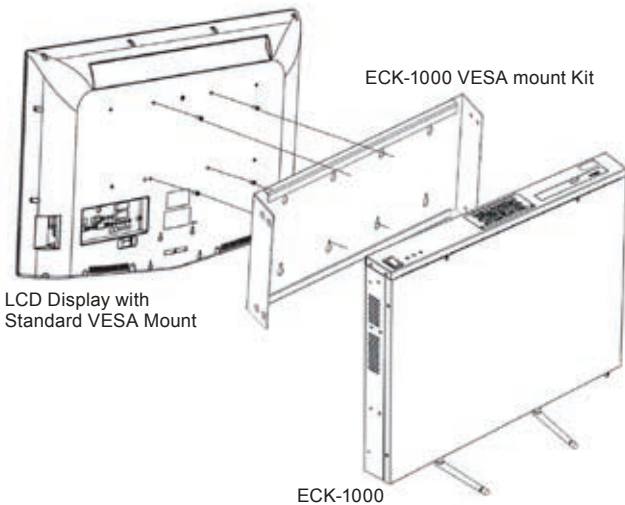
Model Recommended: ECK-1000-9453

Dual-Core Intel Processor Benefits

- Two physical cores in a package to share system load
- Each with its own L1 cache and share the L2 cache to enhance processing speed
- Each with its own execution resources with truly parallel multi-tasking and threaded execution. Increased throughput.



VESA Mount Kit (optional)



Application - HD Multimedia Signage



Application features:

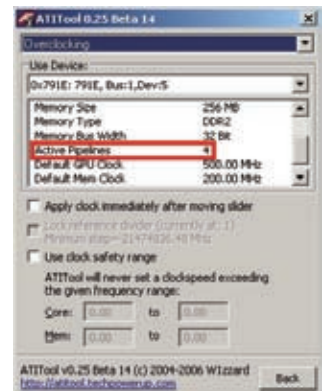
- Large size display in portrait or landscape mode
- H.264, MPEG-4, WMV9 media decoding power
- smoothly display 1080p High definition video

Model Recommended: ECK-1000-690S1



AMD® 690G with Radeon Xpress1250 Graphic Core

- MPEG-2 Hardware decode acceleration
- Hardware acceleration for H.264 playback
- Hardware acceleration for WMV9 playback
- MPEG-4 simple profile support
- Supports top quality DVD and time shifted SDTV/HDTV television playback with the lowest CPU usage



Four Active pipelines deliver better graphics performance !

Packing List

- 1 x QIG
- 1 x screw set
- 2 x mounting brackets
- 1 x power cord
- 2 x driver & manual CD
- 1 x IDE cable
- 1 x SATA cable